



## INSTALLATION INSTRUCTIONS FOR PART 95-8150

### APPLICATIONS

# LEXUS ES SERIES

# 1992-1996

# 95-8150

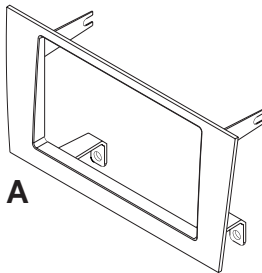
#### KIT FEATURES

- Double DIN Radio Provision
- Stacked ISO Mount Units Provision



#### KIT COMPONENTS

- A) Double Din Trim Plate



#### TOOLS REQUIRED:

- Small Flat Blade Screwdriver/ Panel Removal Tool
- Phillips Screwdriver
  - Socket Set



1-800-221-0932



[www.metraonline.com](http://www.metraonline.com)

© COPYRIGHT 2004-2007 METRA ELECTRONICS CORPORATION



**TABLE OF CONTENTS**

**Dash Disassembly**

**- Lexus ES Series 1992-1996 .....1**

**Kit Assembly**

**- Double DIN Radio Provision ... 2**

**- Stacked ISO Mount Units Provision ..... 2**

**Final Assembly .....3**

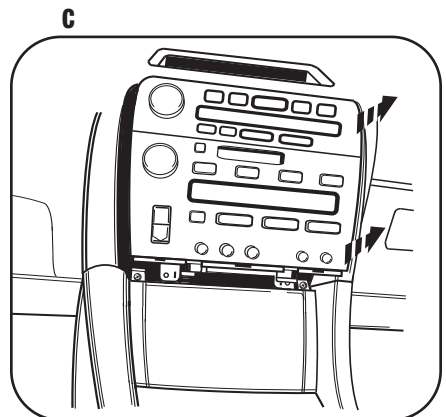
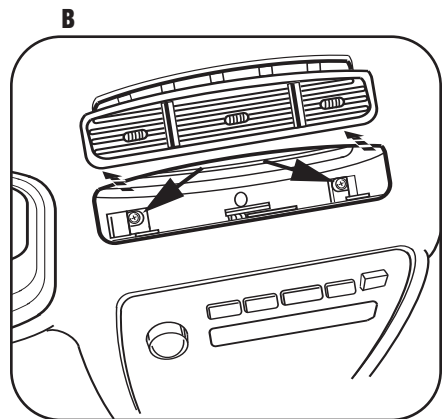
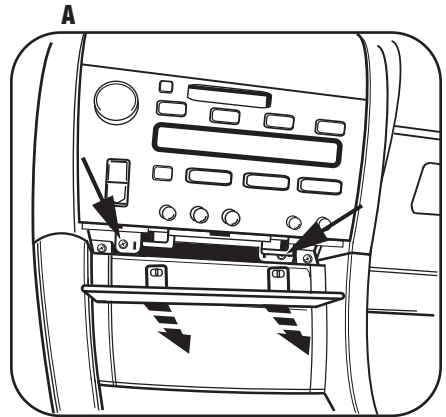
**\*Note:**

**Refer also to the instructions included with the aftermarket radio.**

## LEXUS ES SERIES 1992-1996

- 1** Disconnect the negative battery terminal to prevent an accidental short circuit.
- 2** Unclip and remove the plastic trim piece below the factory radio and remove (2) Phillips screws exposed underneath. (Figure A)
- 3** Using a small flat blade screwdriver release the clips securing the a/c vent assembly and remove the assembly. (Figure B)
- 4** Remove (2) Phillips screws inside of vent cavity. (Figure B)
- 5** Pull the climate control/radio assembly from the dash and disconnect the wiring. (Figure C)
- 6** Remove (2) Phillips screws and (4) bolts per side to remove factory brackets from climate controls and radio. (Retain the factory brackets, climate controls and screws to be re-installed during kit assembly).

*Continue to kit assembly.*



## LEXUS ES SERIES 1992-1996

### DOUBLE DIN RADIO

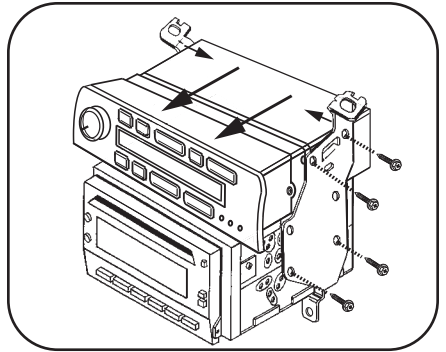
### STACKED ISO MOUNT UNITS PROVISION

*Note: Refer also to the instructions included with the aftermarket radio.*

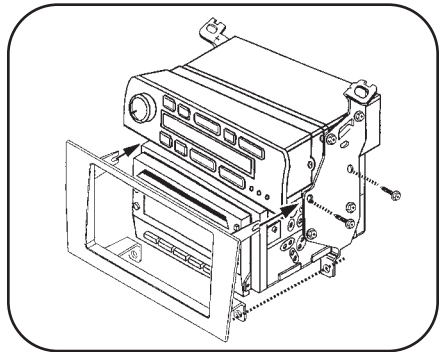
- 1** Assemble the climate controls and Double DIN or stacked ISO mount units into the factory brackets using the hardware from disassembly and the screws supplied with the Double DIN or stacked ISO mount units. (Figure A)
  
- 2** Before tightening the top (2) mounting screws to the Double DIN or stacked ISO mount units attach the Double DIN trim plate and secure with the top (2) mounting screws. (Figure B)

*Continue to final assembly.*

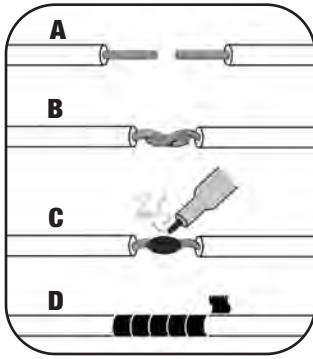
**A**



**B**



# FINAL ASSEMBLY



- (A) Strip wire ends back 1/2"**
- B) Twist ends together**
- C) Solder**
- D) Tape**

- 1** Locate the factory wiring harness in the dash. Metra recommends using the proper mating adapter and making connections as shown. (Isolate and individually tape off the ends of any unused wires to prevent electrical short circuit.)
- 2** Re-connect the negative battery terminal and test the unit for proper operation.
- 3** Reassemble radio and dash assemblies in reverse order of disassembly.

## FINAL WIRING CONNECTIONS

Make wiring connections using the EIA color code chart shown below and the instructions included with the head unit. Metra recommends making connections as shown below; Strip, Splice, Solder, Tape. Isolate and individually tape off ends of any unused wires to prevent electrical short circuit.

### METRA / EIA WIRING CODE

12V Ignition / Acc. . . . . Red	Right Front (+) . . . . . Gray
12V Batt / Memory. . . . . Yellow	Right Front (-). . . . . Gray/ Black
Ground. . . . . Black*	Left Front (+) . . . . . White
Power Antenna. . . . . Blue	Left Front (-). . . . . White / Black
Amp Turn-On . . . . . Blue / White	Right Rear (+) . . . . . Violet
Amp Ground. . . . . Black / White	Right Rear (-). . . . . Violet / Black
Illumination . . . . . Orange	Left Rear (+) . . . . . Green
Dimmer . . . . . Orange / White	Left Rear (-). . . . . Green / Black

**\*NOTE:** When a Black wire is not present, ground radio to vehicle chassis.  
All colors may not be present on all leads due to manufacturer's specifications.





# 95-8150 INSTRUCTIONS



1-800-221-0932



[www.metraonline.com](http://www.metraonline.com)

REV. 11/09/07 © COPYRIGHT 2004-2007 METRA ELECTRONICS CORPORATION INST95-8150