



INSTALLATION INSTRUCTIONS FOR PART 95-8155

APPLICATIONS

LEXUS ES SERIES

1997-2001

95-8155

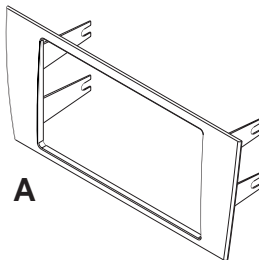
KIT FEATURES

- Double DIN Radio Provision
- Stacked ISO Mount Units Provision



KIT COMPONENTS

A) Double DIN Radio Housing



TOOLS REQUIRED:

- Small Flat Blade Screwdriver/ Panel Removal Tool
- Phillips Screwdriver
 - Socket Set



1-800-221-0932



www.metraonline.com

© COPYRIGHT 2007 METRA ELECTRONICS CORPORATION



TABLE OF CONTENTS

Dash Disassembly

- Lexus ES Series 1997-20011

Kit Assembly

- Double DIN Radio Provision ... 2

- Stacked ISO Mount Units Provision 2

Final Assembly3

***Note:**

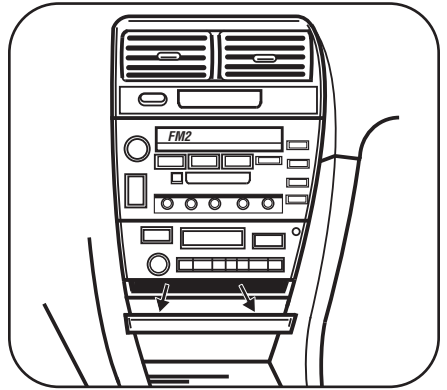
Refer also to the instructions included with the aftermarket radio.

LEXUS ES SERIES 1997-2001

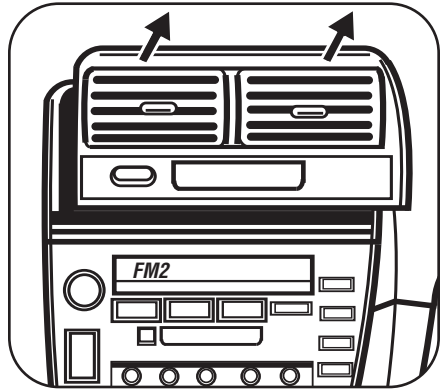
- 1 Disconnect the negative battery terminal to prevent an accidental short circuit.
- 2 Carefully pry out and remove small trim panel between ashtray and bottom of climate control. (Figure A)
- 3 Using a small flat blade screwdriver gently pry out on the top of the A/C vent assembly (including clock) and remove. (Figure B)
- 4 Remove (4) screws securing the radio/climate control assembly. Unplug and remove assembly. (Figure C)
- 5 Remove (4) screws securing the radio to the assembly and remove the radio from the assembly. Retain the rest of the assembly to be re-used during the kit assembly. (Figure D)

Continue to kit assembly.

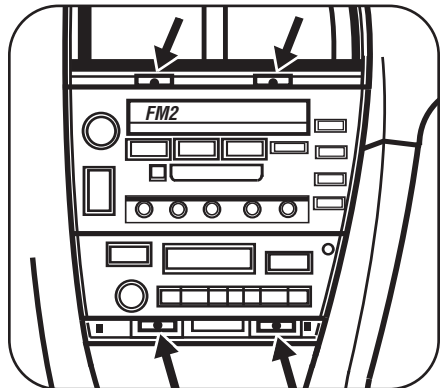
A



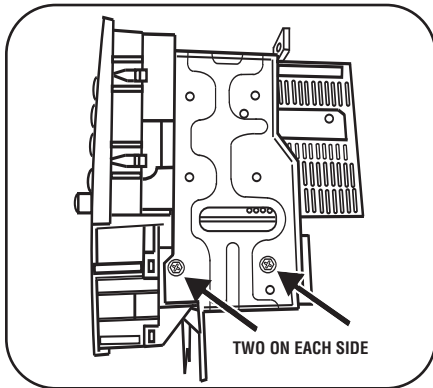
B



C



D



LEXUS ES SERIES 1997-2001

DOUBLE DIN RADIO

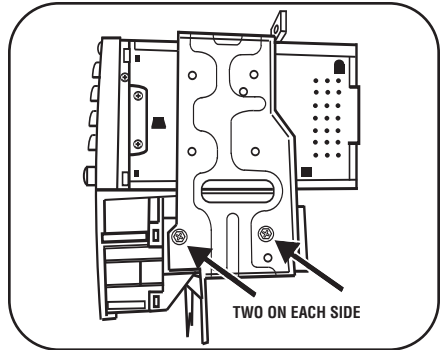
STACKED ISO MOUNT UNITS PROVISION

Note: Refer also to the instructions included with the aftermarket radio.

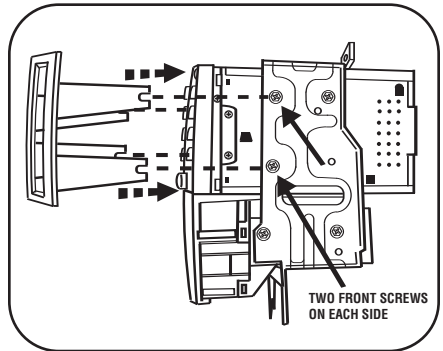
- 1** Assemble the climate controls and Double DIN or stacked ISO mount units into the factory brackets using the hardware from disassembly and the screws supplied with the aftermarket unit(s). (Figure A)
- 2** Before tightening the front (2) mounting screws (closest to the radio's face) to the unit(s) attach the Double DIN Radio Housing then tighten the screws. (Figure B)

Continue to final assembly.

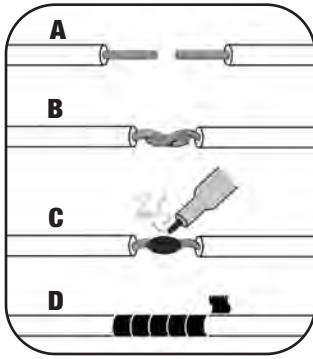
A



B



FINAL ASSEMBLY



- (A) Strip wire ends back 1/2"**
- B) Twist ends together**
- C) Solder**
- D) Tape**

- 1** Locate the factory wiring harness in the dash. Metra recommends using the proper mating adapter and making connections as shown. (Isolate and individually tape off the ends of any unused wires to prevent electrical short circuit.)
- 2** Re-connect the negative battery terminal and test the unit for proper operation.
- 3** Reassemble radio and dash assemblies in reverse order of disassembly.

FINAL WIRING CONNECTIONS

Make wiring connections using the EIA color code chart shown below and the instructions included with the head unit. Metra recommends making connections as shown below; Strip, Splice, Solder, Tape. Isolate and individually tape off ends of any unused wires to prevent electrical short circuit.

METRA / EIA WIRING CODE

12V Ignition / Acc. Red	Right Front (+) Gray
12V Batt / Memory. Yellow	Right Front (-). Gray/ Black
Ground. Black*	Left Front (+) White
Power Antenna. Blue	Left Front (-). White / Black
Amp Turn-On Blue / White	Right Rear (+) Violet
Amp Ground. Black / White	Right Rear (-). Violet / Black
Illumination Orange	Left Rear (+) Green
Dimmer Orange / White	Left Rear (-). Green / Black

***NOTE:** When a Black wire is not present, ground radio to vehicle chassis.
All colors may not be present on all leads due to manufacturer's specifications.

95-8155 INSTRUCTIONS



1-800-221-0932



www.metraonline.com

REV. 11/16/07 © COPYRIGHT 2007 METRA ELECTRONICS CORPORATION INST95-8155