



INSTALLATION INSTRUCTIONS FOR PART 95-9000

APPLICATIONS

Universal DDIN Housing

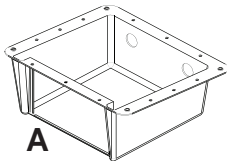
95-9000

KIT FEATURES

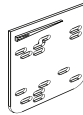
- DDIN Head Unit Provision
- ISO Stacked Head Unit Provision

KIT COMPONENTS

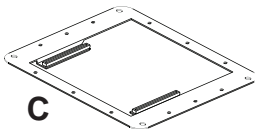
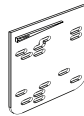
A) Radio Housing B) DDIN Brackets C) Radio Support Plate D) (8) 3/4" Phillips Screws



A



B



C



D

TOOLS REQUIRED:

- Phillips Screwdriver



METRA. THE WORLD'S BEST KITS.™



1-800-221-0932



www.metraonline.com

© COPYRIGHT 2007-2009

METRA ELECTRONICS CORPORATION

TABLE OF CONTENTS

Kit Assembly

- DDIN / Stacked ISO DIN Head Unit Provisions 1

***Note:**

Refer also to the instructions included with the aftermarket radio.



KNOWLEDGE IS POWER

Enhance your installation and fabrication skills by enrolling in the most recognized and respected mobile electronics school in our industry. Log onto www.installerinstitute.com or call 800-354-6782 for more information and take steps toward a better tomorrow.

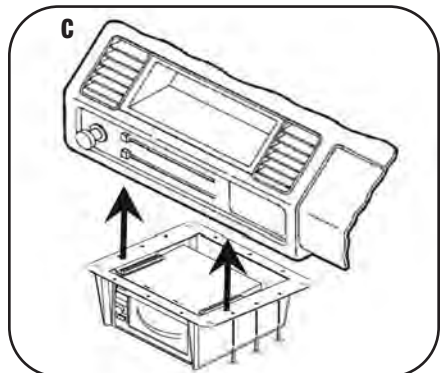
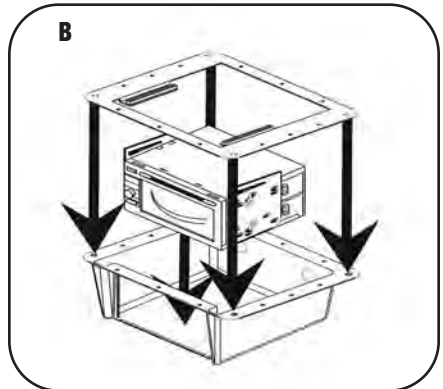
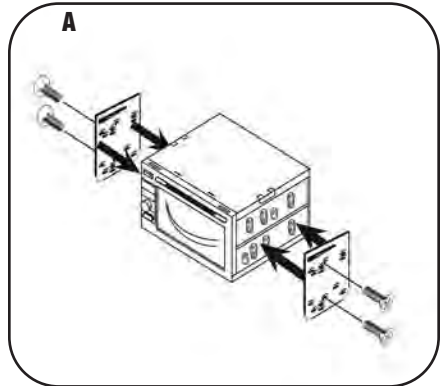


Metra recommends MECP certified technicians.

DOUBLE DIN / STACKED ISO DIN HEAD UNIT PROVISIONS

**Note: Refer also to the instructions included with the aftermarket radio.*

- 1** Determine whether the radio/ kit assembly will be mounted on top of a surface or under it (over dash vs. under dash...), and then mount the radio accordingly.
- 2** Mount the brackets to the head unit with the screws supplied with the unit. (Figure A)
- 3** Place the radio into the housing and rout wires and antenna through the holes provided on the back of the housing. (Figure B)
- 4** Place the support plate over it and align the slots from the support plate with the brackets. (Figure B)
- 5** Mount the radio / housing assembly to the dash. (Figure C)



95-9000 INSTRUCTIONS

METRA. THE WORLD'S BEST KITS.™



1-800-221-0932



www.metraonline.com

REV. 12/07/09 © COPYRIGHT 2003-2009 METRA ELECTRONICS CORPORATION INST95-9000