



## INSTALLATION INSTRUCTIONS FOR PART 98-7499

### *Applications*

## NISSAN MODELS WITH STACKED-DIN SYSTEMS (EXCLUDING QUEST)

# 98-7499 INSTALLATION INSTRUCTIONS

### KIT FEATURES

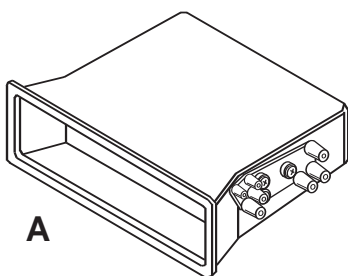
---

- Holds Three CD Jewel Cases

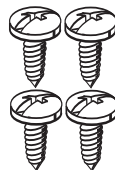
### KIT COMPONENTS

---

- A) Pocket • B) (4) #8 X 1/4" Phillip Screws



A



B

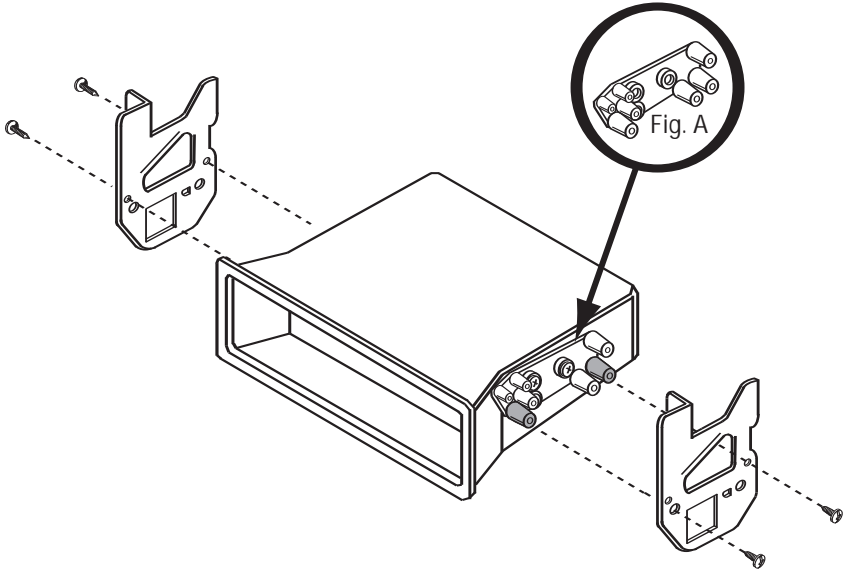






**98-7499**

## ALL VEHICLES



Mount the factory brackets to the *shaded bosses* (Fig A) with **(4) #8 x 1/4" Phillip** screws supplied and mount the entire assembly to the sub-dash.



### KNOWLEDGE IS POWER

Enhance your installation and fabrication skills by enrolling in the most recognized and respected mobile electronics school in our industry.

Log onto [www.installerinstitute.com](http://www.installerinstitute.com) or call 800-354-6782 for more information and take steps toward a better tomorrow.