



INSTALLATION INSTRUCTIONS FOR PART 98-9999

Applications

VOLVO

- 40 Series 1998-2004**
- 70 Series 1999-2003**
- 90 Series 1997-1999**
- 850 Series 1993-1997**
- 900 Series 1993-1997**

98-9999

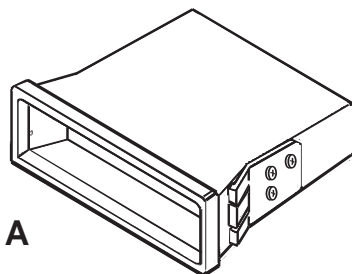
INSTALLATION INSTRUCTIONS

KIT FEATURES

- Holds Three CD Jewel Cases

KIT COMPONENTS

- A) Pocket



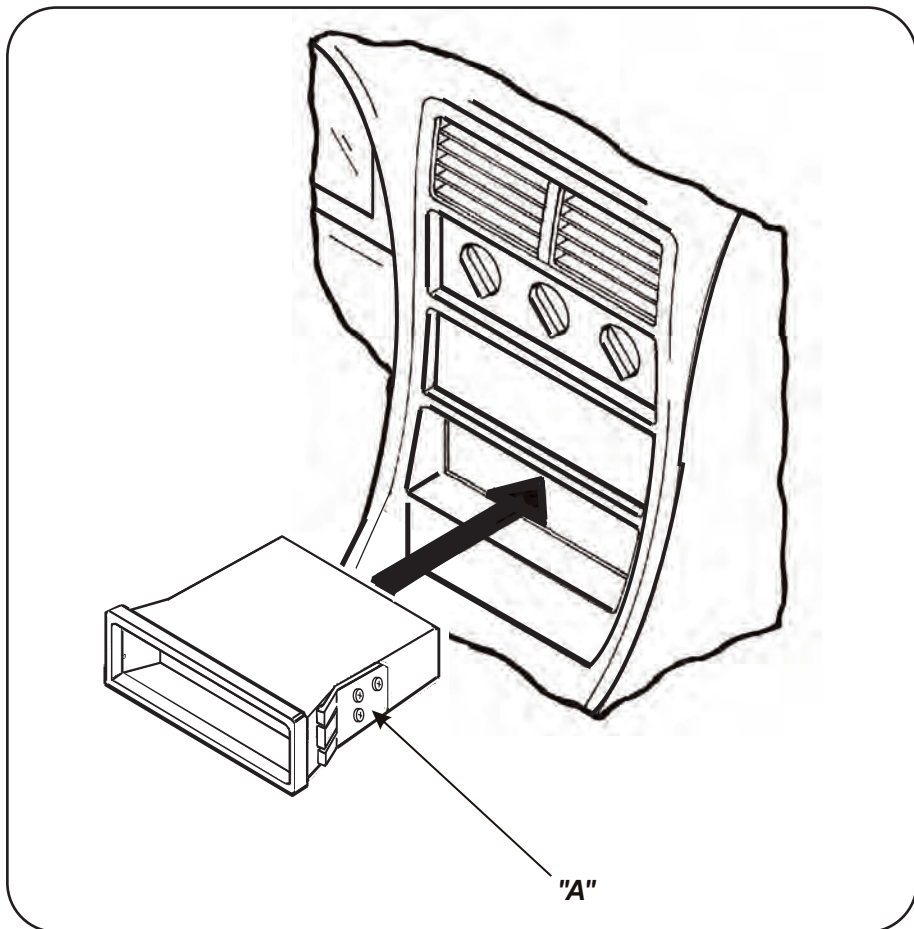
1-800-221-0932



www.metraonline.com

© COPYRIGHT 2001-2008 METRA ELECTRONICS CORPORATION Rev. 11-04-08

ALL VEHICLES



Position the **Pocket** so each Bracket is configured with (2) screws on the top and (1) screw on the bottom ("A"). Slide the **Pocket** into the dash opening until the side clips engage.



KNOWLEDGE IS POWER

Enhance your installation and fabrication skills by enrolling in the most recognized and respected mobile electronics school in our industry.

Log onto www.installerinstitute.com or call 800-354-6782 for more information and take steps toward a better tomorrow.