

## KIT FEATURES

- ▶ Shaft and DIN unit provisions



# 99-1000 INSTALLATION INSTRUCTIONS

## KIT COMPONENTS



## APPLICATIONS

<u>CAR</u>	<u>PAGE</u>
<b>CHRYSLER</b>	
<i>Sebring 1995-00</i> .....	1
<b>DODGE</b>	
<i>Avenger 1995-00</i> .....	1
<b>JEEP</b>	
<i>Grand Cherokee 1993-95</i> .....	1

## TOOLS REQUIRED



Phillips screwdriver



Cutting tool



Socket wrench



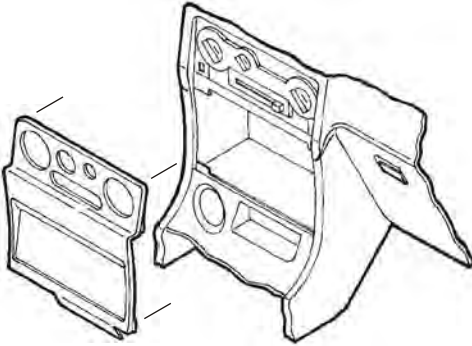
1-800-221-0932 [www.metraonline.com](http://www.metraonline.com)

© COPYRIGHT 2001 METRA ELECTRONICS CORPORATION

rev. 240701

## CHRYSLER Sebring / DODGE Avenger 1995-00

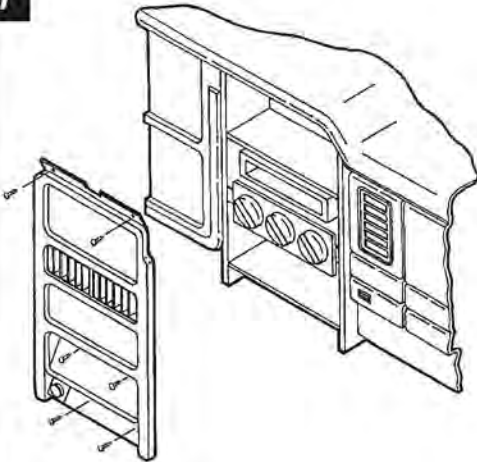
1



Disconnect the negative battery terminal to prevent an accidental short circuit. Unclip and remove the radio trim bezel. Remove (2) #10 Phillips screws from the factory radio, slide the radio out and disconnect the wiring. *Skip to the Installation Instructions for ALL VEHICLES on Page #2.*

## JEEP Grand Cherokee 1993-95

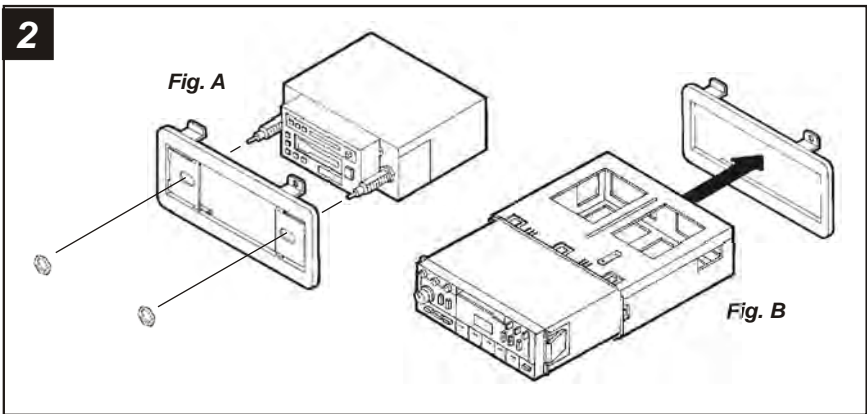
1



Disconnect the negative battery terminal to prevent an accidental short circuit. Remove (2) Phillips screws from the bottom of the radio trim bezel. Remove (2) Phillips screws above the radio opening. Remove (2) Phillips screws located to the left of the steering column and (1) screw located to the right. Unclip and remove the radio trim bezel. Remove (2) hex-head screws from the factory head unit, slide the unit out and disconnect the wiring. *Skip to the Installation Instructions for ALL VEHICLES on Page #2.*

## ALL VEHICLES

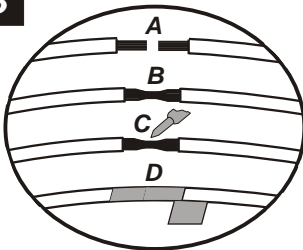
2



**2-SHAFT HEAD UNITS:** Slide the aftermarket head unit into the kit and secure with shaft nuts. (see Fig. A)

**DIN HEAD UNITS:** Cut and remove the shaft supports. Slide the DIN cage into the **Radio Housing** and secure by bending the metal locking tabs down. Slide the aftermarket head unit into the cage until secure. (see Fig. B)

3



- A) Strip wire ends back  $\frac{1}{2}$ "
- B) Twist ends together
- C) Solder
- D) Tape

Locate the factory wiring harness in the dash. Metra recommends using the proper mating adaptor and making connections as shown. (Isolate and individually tape off the ends of any unused wires to prevent electrical short circuit).

4

