



## INSTALLATION INSTRUCTIONS FOR PART 99-1005

### APPLICATIONS

**KIA Sedona 2002-2005**  
**KIA Spectra 2002-2004**  
(2004 Base and LS models only)

# 99-1005

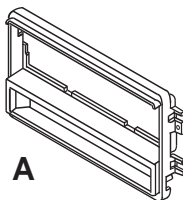
#### KIT FEATURES

- DIN Radio with Pocket Provision
- ISO Mount Radio with Pocket Provision

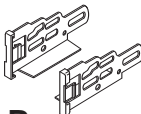


#### KIT COMPONENTS

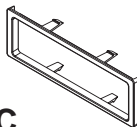
- A) Radio Housing • B) ISO Snap In Brackets • C) Trim Plate • D) (4) Phillips Pan Head Screws  
E) Rear Support Bracket • F) Pocket



A



B



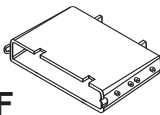
C



D



E



F

#### TOOLS REQUIRED:

- Phillips Screwdriver



1-800-221-0932



[www.metraonline.com](http://www.metraonline.com)

© COPYRIGHT 2004 METRA ELECTRONICS CORPORATION



**TABLE OF CONTENTS**

**Dash Disassembly**

**- KIA Sedona 2002-2005 .....1**

**- KIA Spectra 2002-2004 (2004 Base and LS models only) ..... 2**

**DIN Radio Provision with Pocket ..... 3**

**ISO Mount Radio with Pocket Provision .....4**

**Final Assembly ..... 5**

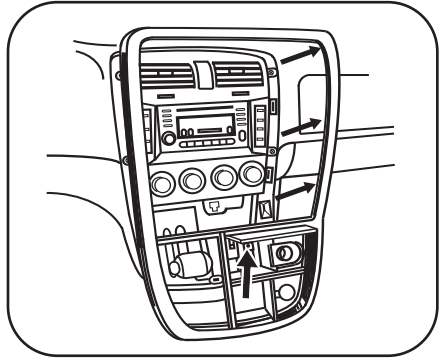
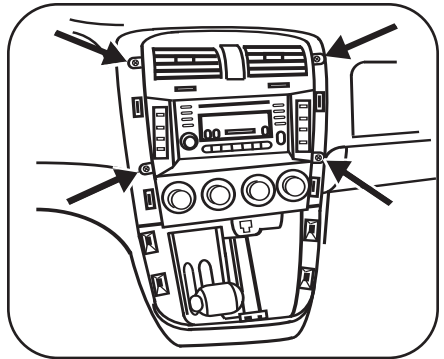
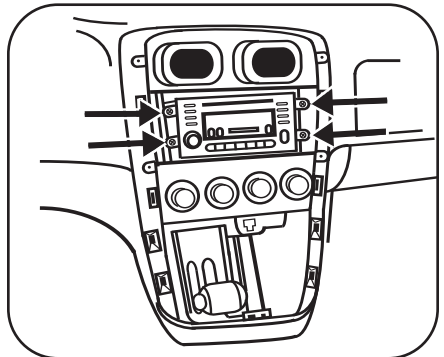
**\*Note:**

**Refer also to the instructions included with the aftermarket radio.**

**KIA SEDONA 2002-2005**

- 1** Disconnect the negative battery-terminal to prevent an accidental short circuit.
- 2** Remove the ashtray and (1) Phillips screw exposed in the ashtray cavity. (Figure A)
- 3** Unclip and remove the small trim panel from around radio, climate controls and shifter. (Figure A)
- 4** Remove (4) Phillips screws from the radio trim panel then unclip and remove the panel. (Figure B)
- 5** Remove (4) Phillips screws securing radio. Unplug and remove radio. (Figure C)

*Continue to kit assembly.*

**A**

**B**

**C**


## KIA SPECTRA 2002-2004 (2004 Base and LS models only)

*\*Note: Refer also to the instructions included with the aftermarket radio.*

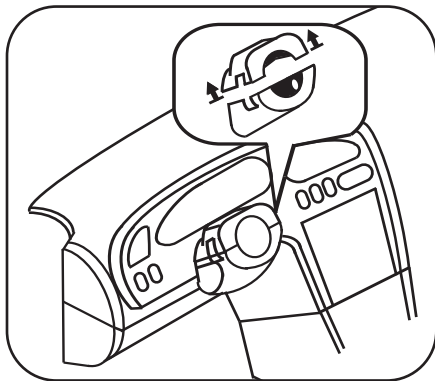
- 1 Disconnect the negative battery-terminal to prevent an accidental short circuit.
- 2 Remove (2) Phillips facing up above gauge cluster. (Figure A)
- 3 Unsnap and remove top portion of steering wheel column cover. (Figure B)
- 4 Unsnap and remove entire panel from left side of steering wheel to right side surrounding radio. (Figure C)
- 5 Remove (4) Phillips screws securing radio. (Figure D)

*Continue to kit assembly.*

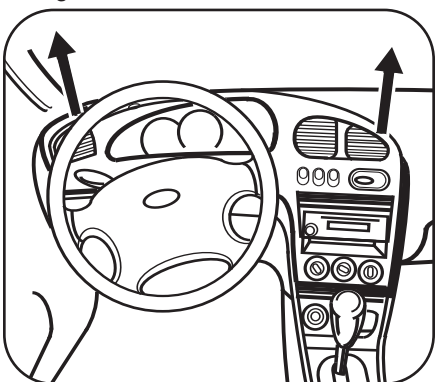
A



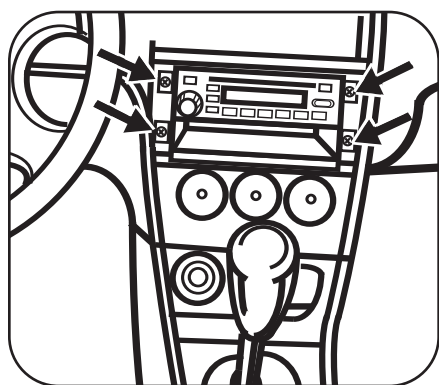
B



C



D



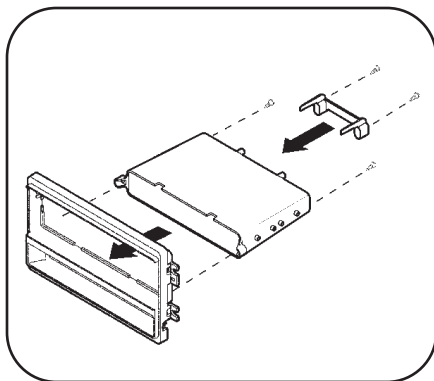
## DIN RADIO WITH POCKET PROVISION

*\*Note: Refer also to the instructions included with the aftermarket radio.*

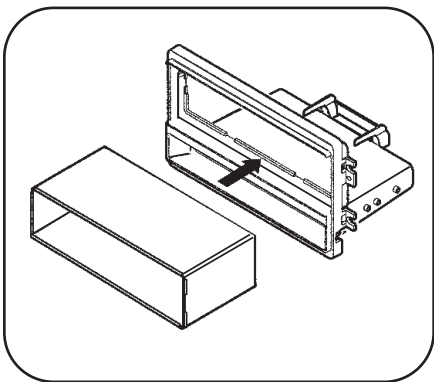
- 1** Mount the pocket to the back of the radio housing using (2) of the screws supplied with the kit. (Figure A)
- 2** Mount the rear support bracket to the back of the pocket using the remaining (2) screws supplied with the kit. (Figure A)
- Spectra only skip to final assembly.
- 3** Slide the DIN cage into the Radio Housing and secure by bending the metal locking tabs outward. (Figure B)
- 4** Slide the aftermarket radio into the cage until it snaps into place. (Figure C)

*Continue to final assembly.*

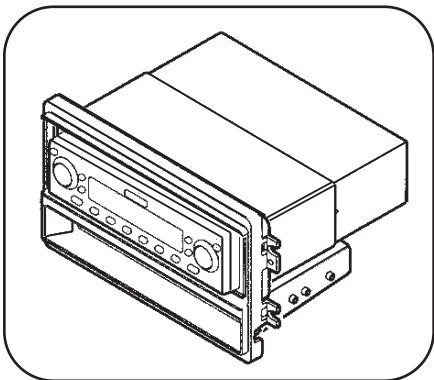
**A**



**B**



**C**



## ISO MOUNT RADIO WITH POCKET PROVISION

*\*Note: Refer also to the instructions included with the aftermarket radio.*

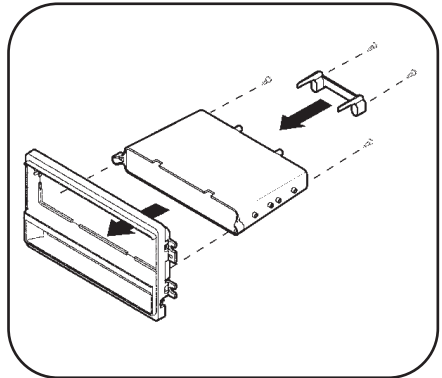
- 1 Mount the pocket to the back of the radio housing using (2) of the screws supplied with the kit. (Figure A)
- 2 Mount the rear support bracket to the back of the pocket using the remaining (2) screws supplied with the kit. (Figure A)
- 3 Mount the ISO Brackets to the aftermarket radio using the screws supplied with the radio. (Figure B)
- 4 Slide the radio into the radio opening until the side clips snap into place. (Figure C)
- 5 Snap the trim plate onto the front of the Radio Housing. (Figure D)

*Continue to final assembly.*

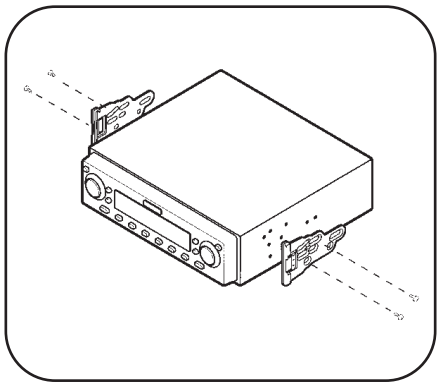
**Note:**

*To remove the radio from the radio housing, unclip and remove ISO trim-plate. Then use a small flat blade screw driver to release the ISO snap in brackets and slide the radio out of the radio housing.*

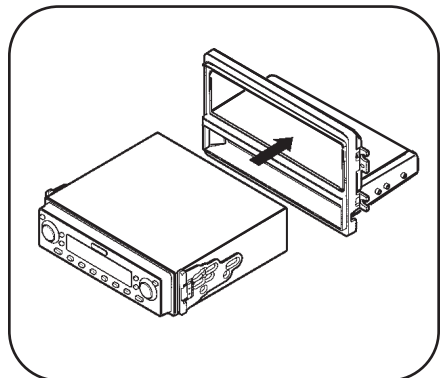
**A**



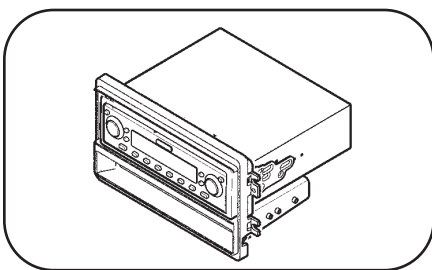
**B**

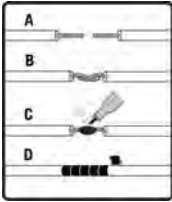


**C**



**D**





## FINAL ASSEMBLY

**(A) Strip wire ends back 1/2"**

**B) Twist ends together**

**C) Solder**

**D) Tape**

- 1 Locate the factory wiring harness in the dash. Metra recommends using the proper mating adapter and making connections as shown. (Isolate and individually tape off the ends of any unused wires to prevent electrical short circuit.)
- 2 Re-connect the negative battery terminal and test the unit for proper operation.
- 3 (All Sedona and Spectra ISO mount radio only) Reassemble radio and dash assemblies in reverse order of disassembly.  
(Spectra DIN radio only) Place assembled kit into the radio cavity in the dash, do not bolt in.
- 4 (Spectra DIN radio only) Snap the dash panel back into place over the dash. Pressure fit the kit between the dash and the dash panel.
- 5 (Spectra DIN radio only) Slide the DIN cage into the radio opening in the dash panel and radio housing. Secure the cage by bending the metal locking tabs outward.
- 6 (Spectra DIN radio only) Slide the aftermarket radio into the cage until it snaps into place.

## FINAL WIRING CONNECTIONS

Make wiring connections using the EIA color code chart shown below and the instructions included with the head unit. Metra recommends making connections as shown below; Strip, Splice, Solder, Tape. Isolate and individually tape off ends of any unused wires to prevent electrical short circuit.

### METRA / EIA WIRING CODE

12V Ignition / Acc. . . . . Red	Right Front (+) . . . . . Gray
12V Batt / Memory . . . . . Yellow	Right Front (-) . . . . . Gray/ Black
Ground . . . . . Black*	Left Front (+) . . . . . White
Power Antenna . . . . . Blue	Left Front (-) . . . . . White / Black
Amp Turn-On . . . . . Blue / White	Right Rear (+) . . . . . Violet
Amp Ground . . . . . Black / White	Right Rear (-) . . . . . Violet / Black
Illumination . . . . . Orange	Left Rear (+) . . . . . Green
Dimmer . . . . . Orange / White	Left Rear (-) . . . . . Green / Black

**\*NOTE:** When a Black wire is not present, ground radio to vehicle chassis.

All colors may not be present on all leads due to manufacturer's specifications.

# 99-1005 INSTRUCTIONS



1-800-221-0932



[www.metraonline.com](http://www.metraonline.com)

REV. 11/09/06 © COPYRIGHT 2004 METRA ELECTRONICS CORPORATION

INST99-1005