



INSTALLATION INSTRUCTIONS FOR PART 99-2008

APPLICATIONS

Cadillac DTS 2006-2009

Cadillac SRX 2007-2009

99-2008

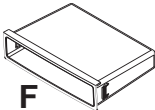
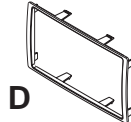
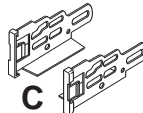
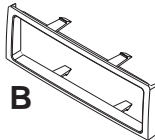
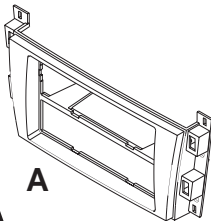
KIT FEATURES

- DIN Radio Provision with Pocket
- ISO Mount Radio Provision with Pocket
- Double DIN Radio Provision
- Stacked ISO Mount Units Provision



KIT COMPONENTS

- A) Radio Housing • B) ISO Trim Plate • C) ISO Brackets • D) Double DIN Trim Plate
• E) Double DIN Brackets • F) Pocket



WIRING AND ANTENNA CONNECTIONS (Sold Separately)

- GMOS-LAN-01 - GM LAN Interface 2006-up
- GMOS-LAN-02 - GM LAN Amplified-Interface 2006-up
- GMOS-LAN-05 - GM Digital LAN Amp Interface With Onstar 2007-up
- Antenna Adapter:
40-CR10 - Chrysler/GM Antenna Adapter 2002-up

TOOLS REQUIRED:

- Small Flat Blade Screwdriver/ Panel Removal Tool
• Phillips Screwdriver • Socket Set



1-800-221-0932



www.metraonline.com

© COPYRIGHT 2004-2009 METRA ELECTRONICS CORPORATION

TABLE OF CONTENTS

Dash Disassembly

Chevrolet

- Cadillac DTS 2006-20091**
- Cadillac SRX 2007-20092**

Kit Assembly

- DIN Radio Provision with Pocket 3**
- ISO Mount Radio Provision with Pocket 4**
- Double DIN Radio Provision 5**

- Final Assembly 6**

• Refer also to the instructions included with the aftermarket radio.



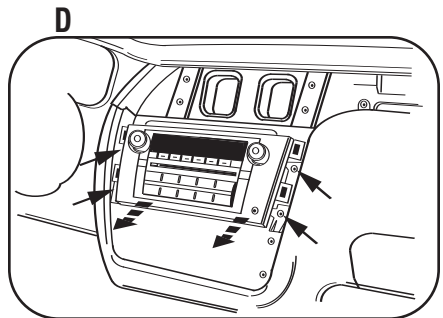
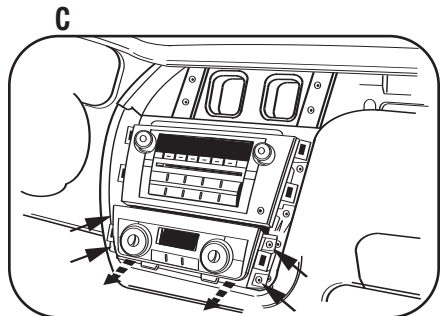
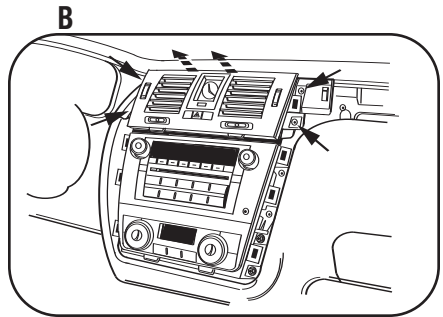
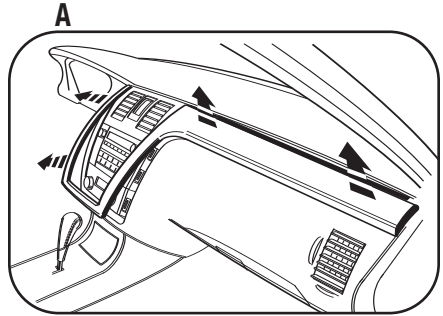
KNOWLEDGE IS POWER

Enhance your installation and fabrication skills by enrolling in the most recognized and respected mobile electronics school in our industry. Log onto www.installerinstitute.com or call 800-354-6782 for more information and take steps toward a better tomorrow.

Cadillac DTS 2006-2009

- 1 Disconnect the negative battery terminal to prevent an accidental short circuit.
- 2 Unclip and remove the trim panel around the radio, climate controls and ac vents and above glove box. **(Figure A)**
- 3 Remove (4) 9/32" screws securing the a/c vent panel. Unplug and remove the panel. **(Figure B)**
- 4 Remove (4) 9/32" screws securing the climate controls. Unplug and remove the climate controls. **(Figure C)**
- 5 Remove (4) 9/32" screws securing the radio. Unplug and remove the radio. **(Figure D)**

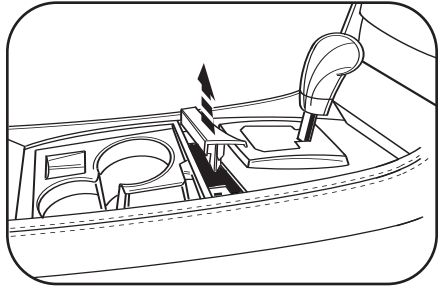
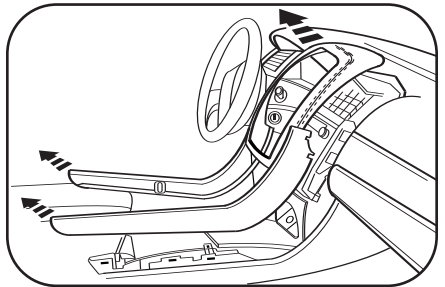
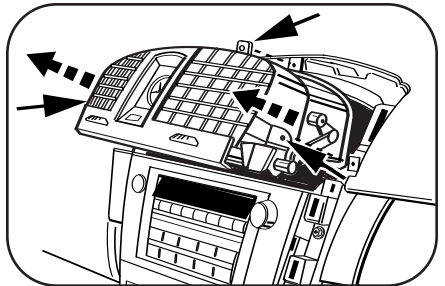
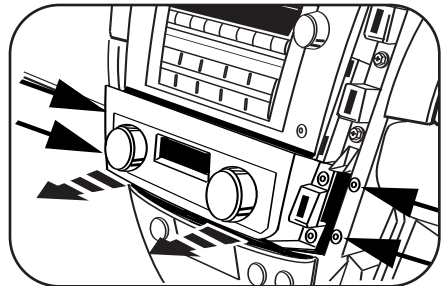
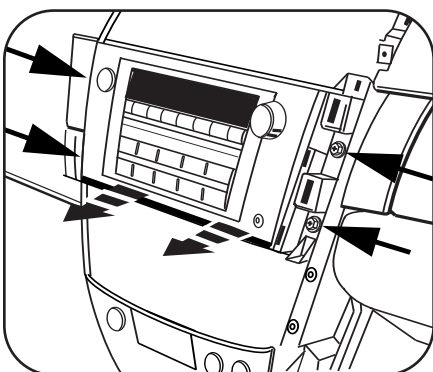
Continue to kit assembly.



Cadillac SRX 2007-2009

- 1** Disconnect the negative battery terminal to prevent an accidental short circuit.
- 2** Unclip and remove trim piece between shifter and cup holders. **(Figure A)**
- 3** Unclip and remove the trim panel around the radio, climate controls, ac vents and front half of center console. **(Figure B)**
- 4** Remove (3) 9/32" screws securing the a/c vent panel and remove the panel. **(Figure C)**
- 5** Remove (4) 9/32" screws securing the climate controls. Unplug and remove the climate controls. **(Figure D)**
- 6** Remove (4) 9/32" screws securing the radio. Unplug and remove the radio. **Figure E)**

Continue to kit assembly.

A

B

C

D

E


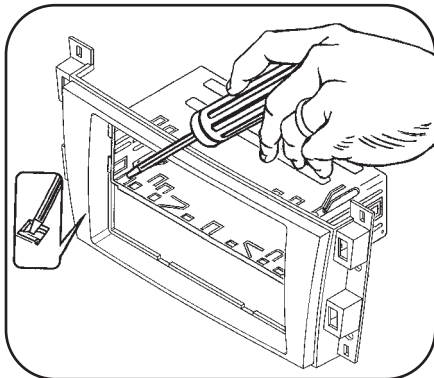
DIN RADIO PROVISION WITH POCKET

**Note: Refer also to the instructions included with the aftermarket radio.*

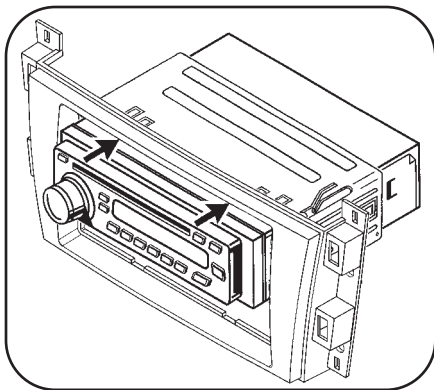
- 1 Slide the DIN cage into the Radio Housing and secure by bending the metal locking tabs outward. (Figure A)
- 2 Slide the aftermarket radio into the cage until it snaps into place. (Figure B)
- 3 Snap the pocket into the housing. (Figure C)

Continue to final assembly.

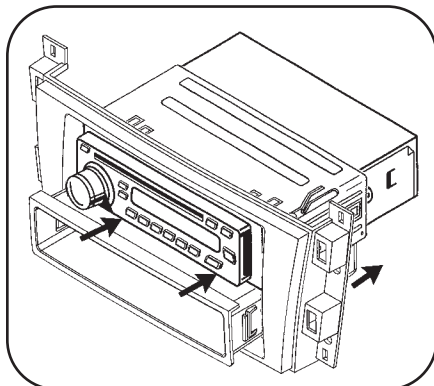
A



B



C

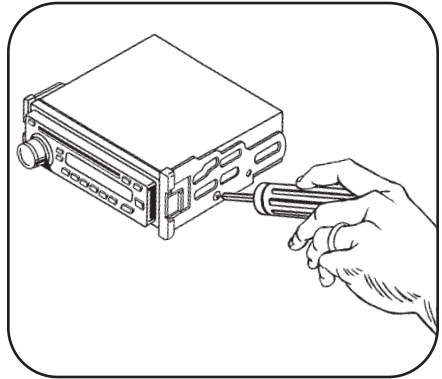


ISO MOUNT RADIO PROVISION WITH POCKET

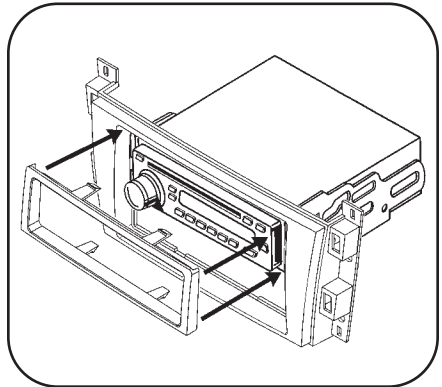
**Note: Refer also to the instructions included with the aftermarket radio.*

- 1 Mount the ISO Brackets to the radio using the screws supplied with the radio. (Figure A)
- 2 Slide the radio into the radio housing until it snaps into place. (Figure B)
- 3 Snap the trim plate onto the front of the radio housing. (Figure B)
- 4 Snap the pocket into the housing. (Figure C)

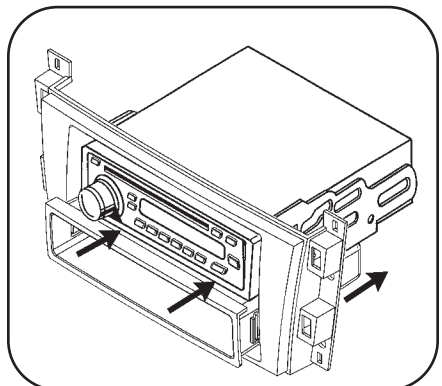
A



B



C



Continue to final assembly.

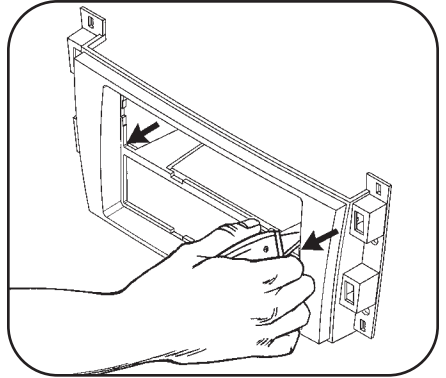
DOUBLE DIN RADIO PROVISION

**Note: Refer also to the instructions included with the aftermarket radio.*

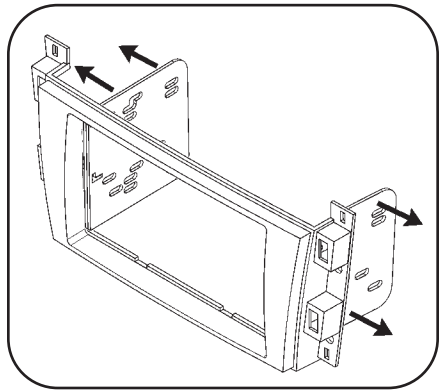
- 1 Cut and remove the center bar from the radio housing. (Figure A)
- 2 Snap the Double DIN brackets to the inside edge of the radio housing. (Figure B)
- 3 Slide the Double DIN radio or stacked ISO mount units into the bracket/radio housing assembly then secure to the assembly using the screws supplied with the radio or ISO mount units. (Figure C)
- 4 Snap the Double DIN Trim plate onto the front of the Radio Housing. (Figure C)

Continue to final assembly.

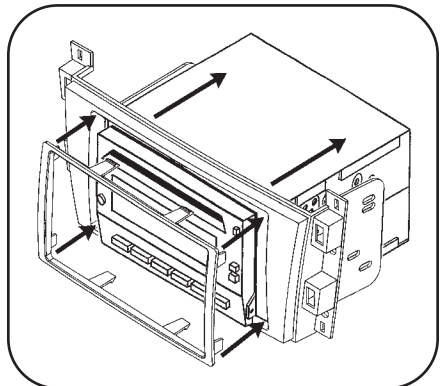
A



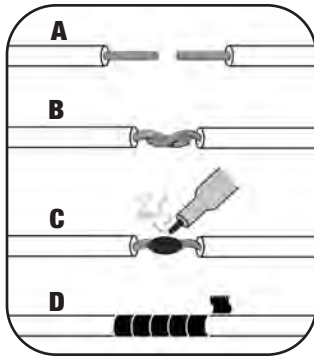
B



C



FINAL ASSEMBLY



- (A) Strip wire ends back 1/2"**
- B) Twist ends together**
- C) Solder**
- D) Tape**

- 1** Locate the factory wiring harness in the dash. Metra recommends using the proper mating adapter and making connections as shown. (Isolate and individually tape off the ends of any unused wires to prevent electrical short circuit.)
- 2** Re-connect the negative battery terminal and test the unit for proper operation.
- 3** Reassemble radio and dash assemblies in reverse order of disassembly.

FINAL WIRING CONNECTIONS

Make wiring connections using the EIA color code chart shown below and the instructions included with the head unit. Metra recommends making connections as shown below; Strip, Splice, Solder, Tape. Isolate and individually tape off ends of any unused wires to prevent electrical short circuit.

METRA / EIA WIRING CODE

12V Ignition / Acc. Red	Right Front (+) Gray
12V Batt / Memory Yellow	Right Front (-) Gray/ Black
Ground Black*	Left Front (+) White
Power Antenna Blue	Left Front (-) White / Black
Amp Turn-On Blue / White	Right Rear (+) Violet
Amp Ground Black / White	Right Rear (-) Violet / Black
Illumination Orange	Left Rear (+) Green
Dimmer Orange / White	Left Rear (-) Green / Black

***NOTE:** When a Black wire is not present, ground radio to vehicle chassis.

All colors may not be present on all leads due to manufacturer's specifications.