



INSTALLATION INSTRUCTIONS FOR PART 99-3051

APPLICATIONS

Chevrolet Corvette

1990-1996

99-3051

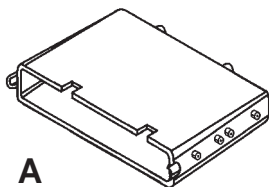
KIT FEATURES

- ISO mount Radio Provision with Pocket
- Two ISO Mount Unit's Provision
- Double DIN Radio Provision

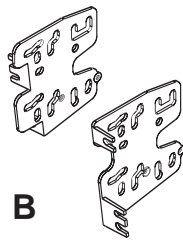
KIT COMPONENTS



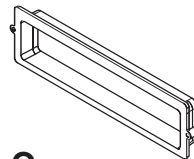
(A) Pocket • (B) Brackets • (C) Trim Plate • (D) (4) #6 X 1/4" Phillips Head Screws • (E) (2) #8 X 3/8" Phillips Head Screws



A



B



C



D



E

WIRING AND ANTENNA CONNECTIONS (Sold Separately)

Wiring Harness:

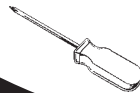
- 70-1856 - 17ft bypass harness (Non-Bose) 1989-1996
- 70-1857 - 17ft bypass harness (Bose) 1989-1996

Antenna Adapter:

- Not required

TOOLS REQUIRED:

Phillips Screwdriver • Rotary Cutting Tool



1-800-221-0932



www.metraonline.com

© COPYRIGHT 2004-2009 METRA ELECTRONICS CORPORATION

TABLE OF CONTENTS

Dash Disassembly

1990-1996 Chevrolet Corvette1, 2

Kit Assembly

ISO Mount Radio Provision with Pocket 3

Double DIN Radio Provision 4

Two ISO Mount Unit's Provision 4

Final Assembly 5

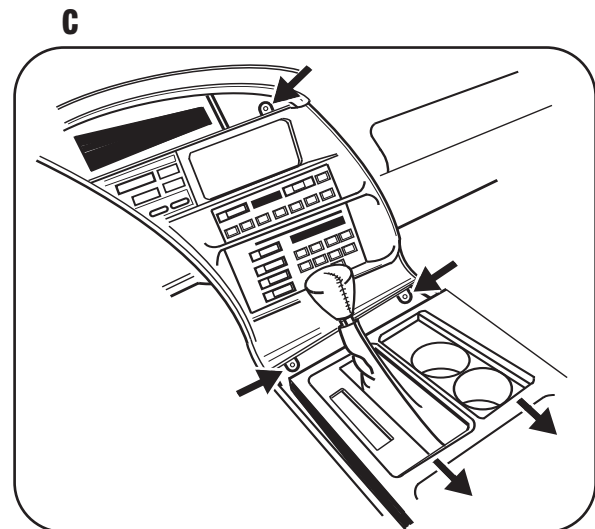
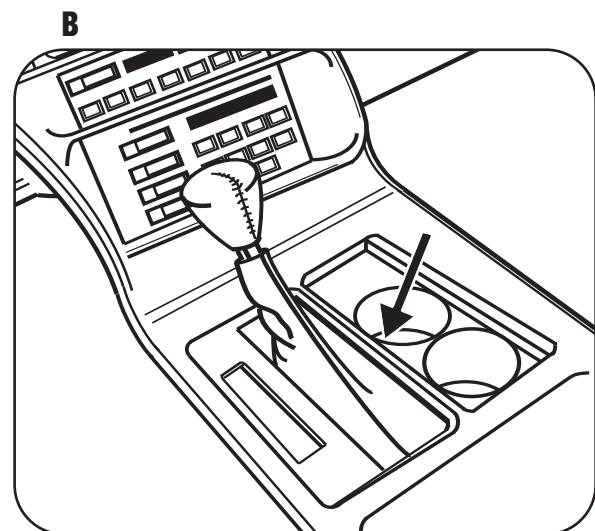
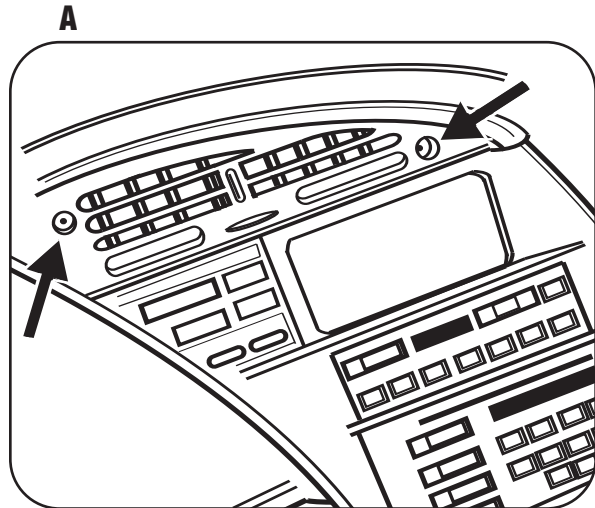


KNOWLEDGE IS POWER

Enhance your installation and fabrication skills by enrolling in the most recognized and respected mobile electronics school in our industry. Log onto www.installerinstitute.com or call 800-354-6782 for more information and take steps toward a better tomorrow.

1990-1996 CHEVROLET CORVETTE

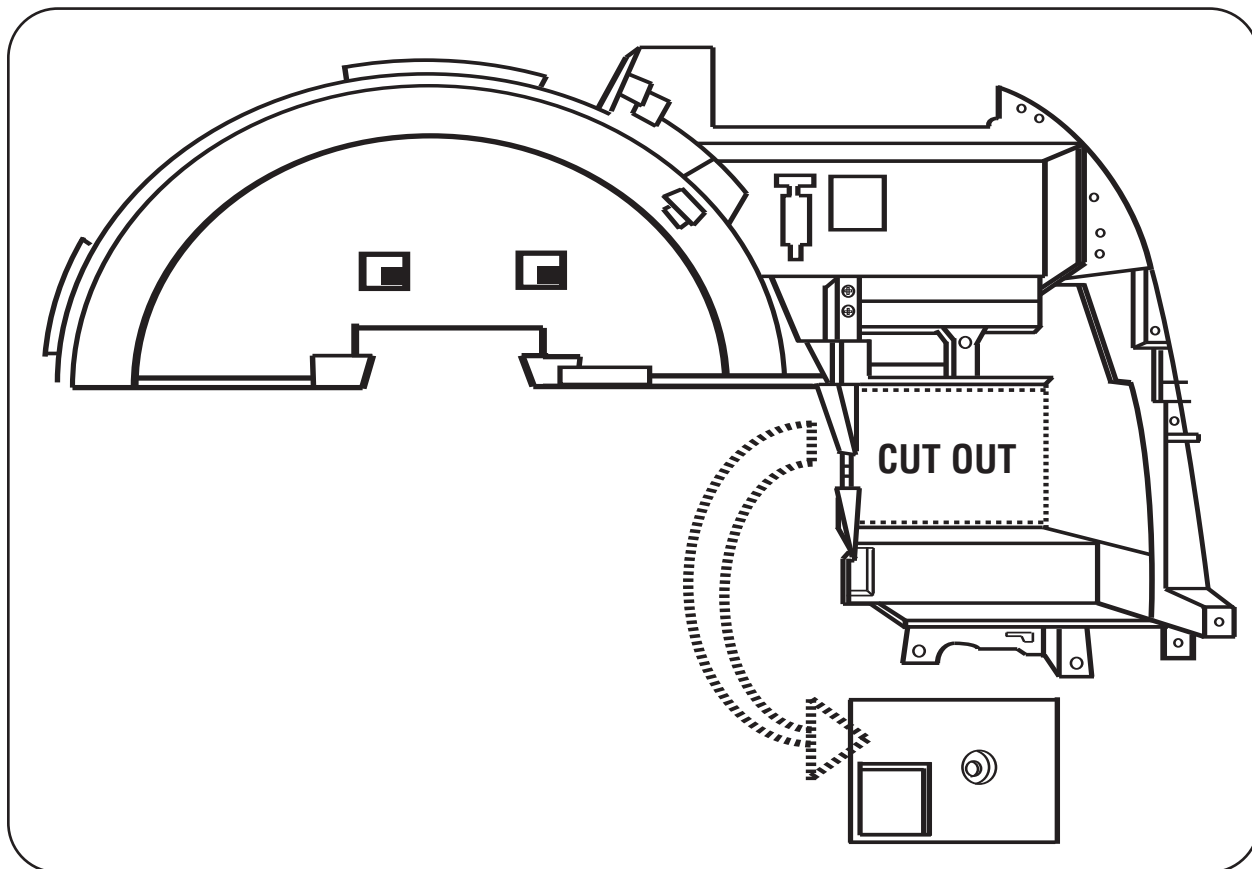
- 1** *Disconnect the negative battery terminal to prevent an accidental short circuit.*
- 2** Remove (2) screws from center AC vent and remove vent. (Figure A)
- 3** Remove rubber inserts in cup holders and remove screw. (Figure B)
- 4** Remove (2) screws from under carpet inside center console.
- 5** Set parking brake and place shifter into the drive position.
- 6** Lift the center console up and slide back. (Figure C)
- 7** Remove (3) screws from radio/climate control trim panel and remove panel. (Figure C)
- 8** Remove (2) screws from side trim panels to gain access to radio screws and remove (4) screws securing radio, unplug and remove radio.



1990-1996 CHEVROLET CORVETTE

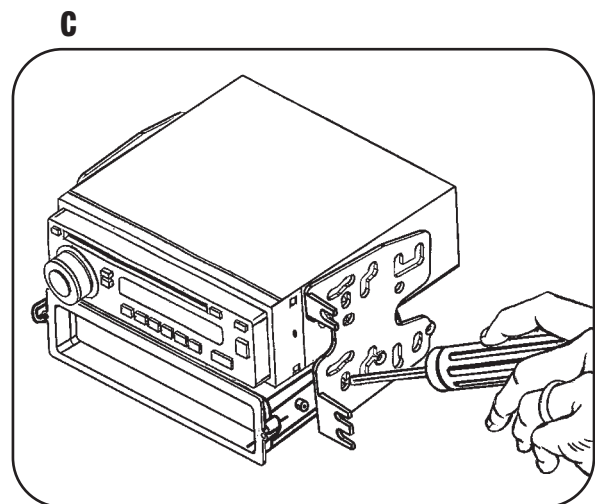
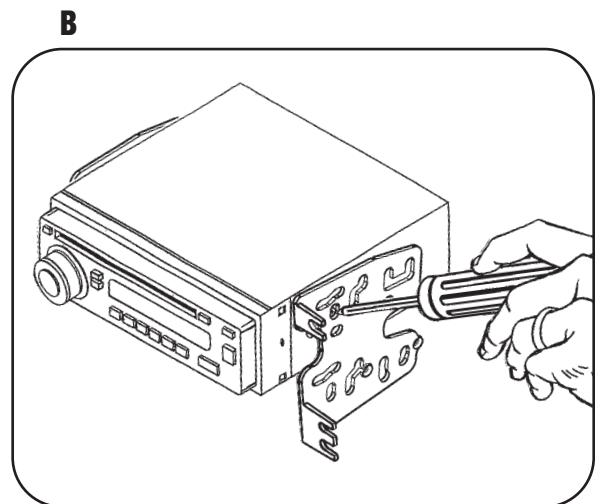
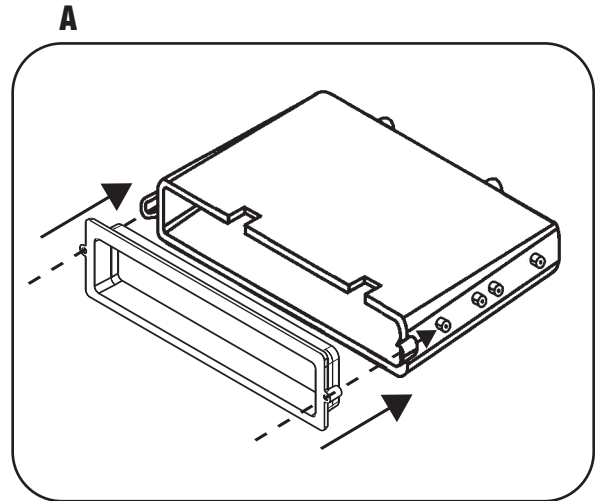
- 9** Cut and remove obstruction from rear of radio cavity. (Figure D)

D



1990-1996 CHEVROLET CORVETTE**ISO MOUNT RADIO WITH POCKET**

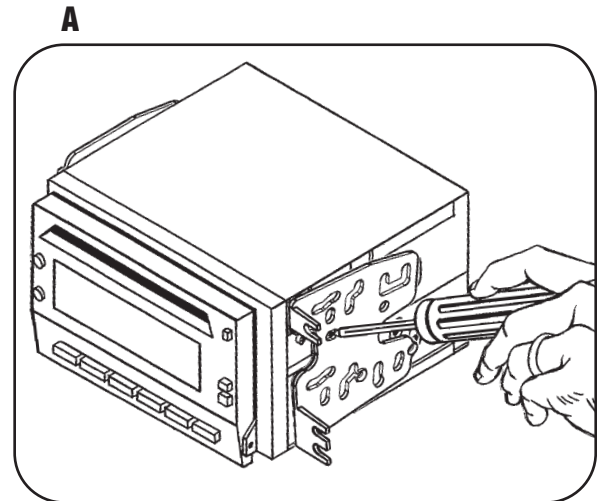
- 1** Mount the pocket trim-plate to the pocket using the (2) #8x3/8" Phillips head screws provided with kit. Larger lip towards top of pocket. (Figure A)
- 2** Align the mounting holes in the brackets with the mounting holes in the side of the radio and mount the brackets to the radio using screws provided with the radio. (Figure B)
- 3** Align the mounting holes in the brackets below the radio with the mounting holes in the pocket and mount the pocket to the brackets using the (4) #6x1/4" Phillips head screws provided with the kit. (Figure C)
- 4** Continue to final assembly.



1990-1996 CHEVROLET CORVETTE

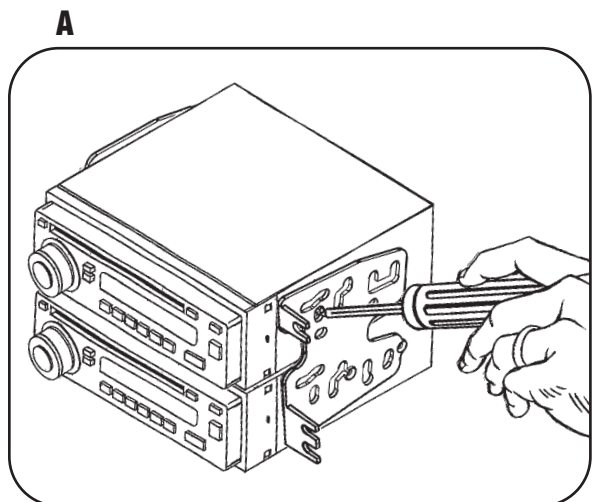
DOUBLE DIN RADIO PROVISION

- 1** Align the mounting holes in the left bracket with the mounting holes in the left side of the radio and mount the bracket to the radio using screws provided with the radio. (Figure A)
- 2** Repeat step one with the right bracket on the right side of the radio.
- 3** Continue to final assembly.



TWO ISO MOUNT UNITS

- 1** Align the mounting holes in the left bracket with the mounting holes in the left side of both units and mount the bracket to both units using screws provided with the units. (Figure A)
- 2** Repeat step one with the right bracket on the right side of the units.
- 3** Continue to final assembly.

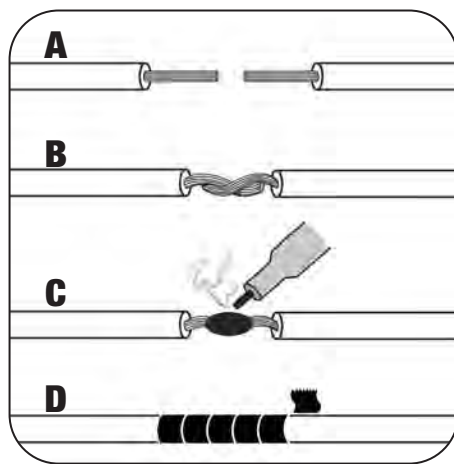


FINAL ASSEMBLY

- 1 Locate the factory wiring harness in the dash and make the connection as shown. Metra recommends using the proper mating adapter and making the connections as shown. (Isolate and individually tape off the ends of any unused wires to prevent electrical short circuit.)
- 2 Re-connect the negative battery terminal and test the unit for proper operation.
- 3 Reassemble radio and dash assemblies in reverse order of disassembly.

FINAL WIRING CONNECTIONS

Make wiring connections using the EIA color code chart shown below and the instructions included with the head unit. Metra recommends making connections as shown below; Strip, Splice, Solder, Tape. Isolate and individually tape off ends of any unused wires to prevent electrical short circuit.



- A) Strip wire ends back 1/2"**
- B) Twist ends together**
- C) Solder**
- D) Tape**

METRA / EIA WIRING CODE

12V Ignition / Acc . . . Red	Right Front (+) Gray
12V Batt / Memory . . Yellow	Right Front (-) Gray / Black
Ground Black*	Left Front (+) White
Power Antenna Blue	Left Front (-) White / Black
Amp Turn-On Blue / White	Right Rear (+) Violet
Amp Ground Black / White	Right Rear (-) Violet / Black
Illumination Orange	Left Rear (+) Green
Dimmer Orange / White	Left Rear (-) Green / Black

***NOTE:** When a Black wire is not present, ground radio to vehicle chassis.
All colors may not be present on all leads due to manufacturer's specifications.

INST993051



1-800-221-0932



www.metraonline.com

REV. 06/05/09

© COPYRIGHT 2004-2009 METRA ELECTRONICS CORPORATION

INST99-3051