



## INSTALLATION INSTRUCTIONS FOR PART 99-3300

### APPLICATIONS GM MULTI KIT (see models list inside)

# 99-3300

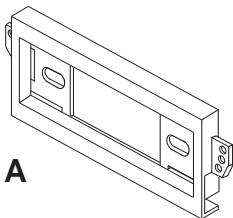
#### KIT FEATURES

- DIN Mount Radio Provision
- Shaft Mount Radio Provision

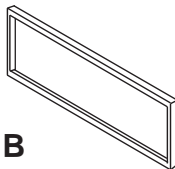


#### KIT COMPONENTS

A) Radio Housing • Spacer



A

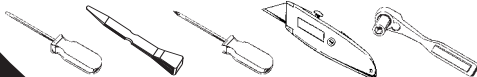


B

#### TOOLS REQUIRED:

Small Flat Blade Screwdriver/ Panel Removal Tool

- Phillips Screwdriver • Cutting Tool • Socket Set



1-800-221-0932



[www.metraonline.com](http://www.metraonline.com)

© COPYRIGHT 2004 METRA ELECTRONICS CORPORATION

## **TABLE OF CONTENTS**

### **Dash Disassembly**

#### **Chevrolet**

- Blazer 1998-2002 .....	1
- Camaro 1997-2002 .....	2
- Caprice 1994-1996 .....	3
- Cavalier 1995-1999 .....	4
- Corvette 1997-2004 .....	5
- Impala 1994-1996 .....	3
- Lumina 1995-2001 .....	6
- Malibu 1997-2000 .....	7
- Monte Carlo 1995-1999.....	6
- S-10 Pickup 1998-2002.....	1
- Venture 1997-1999 .....	8

#### **GMC**

- Envoy 1998-2001 .....	1
- Jimmy 1998-2002 .....	1
- Sonoma Pickup 1998-2002 .....	1

#### **Isuzu**

- Hombre 1998-2001 .....	1
--------------------------	---

#### **Oldsmobile**

- Bravada 1998-2001 .....	1
- Silhouette 1997-1999 .....	8

#### **Pontiac**

- Montana 1999 .....	8
- TransSport 1997-1999.....	8

#### **Kit Assembly**

DIN Mount provision .....	9
Shaft Mount provision .....	10
Final Assembly .....	11

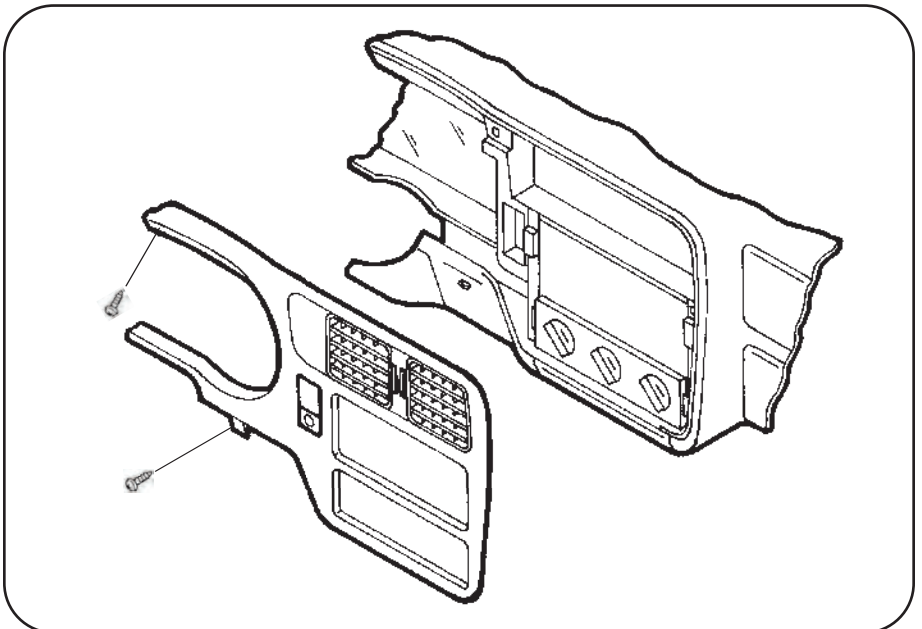
#### **\*Note:**

**Refer also to the instructions included with the aftermarket radio.**

**Chevrolet Blazer/5-10 Pickup,**  
**GMC Jimmy/Sonoma 1998-2002, GMC Envoy,**  
**Isuzu Hombre, Oldsmobile Bravada 1998-2001**

- 1 Disconnect the negative battery terminal to prevent an accidental short circuit.
- 2 Remove (2) 9/32" hex head screws from the lower dash trim panel below steering column.
- 3 Remove (2) 9/32" hex head screws from bottom edge of instrument cluster trim panel.
- 4 Remove (1) Phillips head screw from above the instrument cluster.
- 5 Unclip and remove instrument cluster trim panel.
- 6 Remove (2) 9/32" hex head screws securing radio. Unplug and remove radio.

*Continue to kit assembly.*

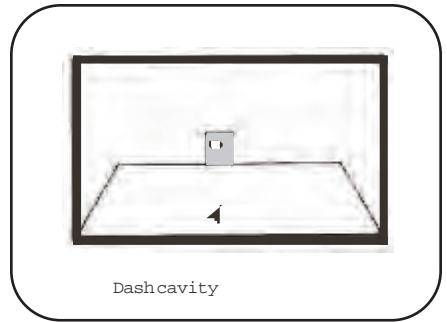


## Chevrolet Camaro 1997-2002

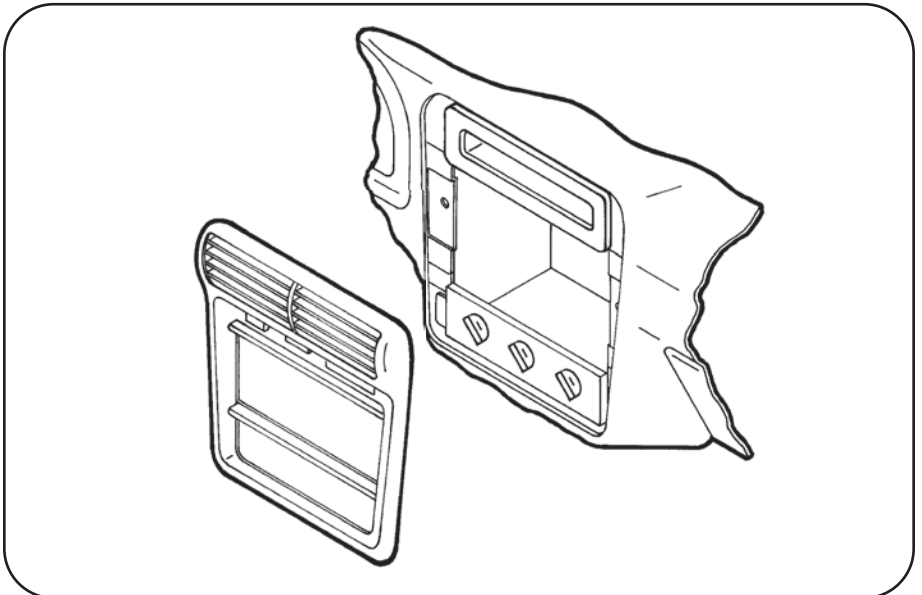
- 1** Disconnect the negative battery terminal to prevent an accidental short circuit.
- 2** Unclip and remove the radio trim panel. (Figure A)
- 3** Remove (2) 9/32" hex head screws securing radio. Unplug and remove radio. (Figure A)
- 4** Cut and remove the rear support from the back of radio cavity. (Figure B)

*Continue to kit assembly.*

**B**



**A**

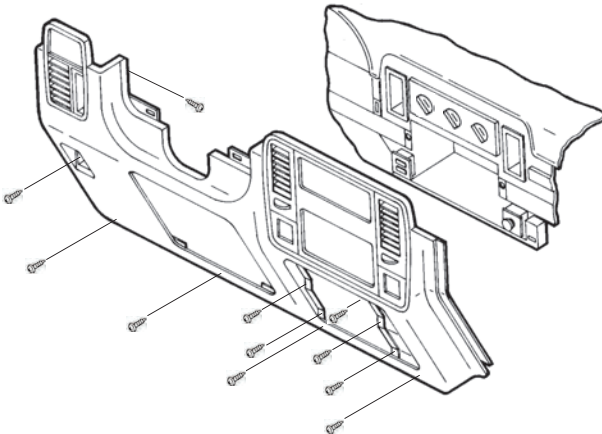
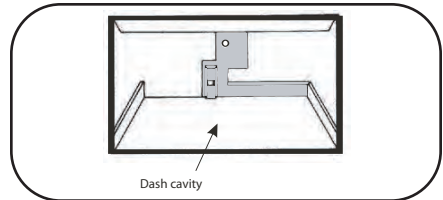


## Chevrolet Caprice, Impala 1994-1996

- 1** Disconnect the negative battery terminal to prevent an accidental short circuit.
- 2** Remove (5) 9/32" hex head screws from the ashtray cavity.
- 3** Remove (4) 9/32" hex head screws from bottom edge of dash trim panel.
- 4** Unclip fuse box cover and remove (1) 9/32" hex head screw from fuse box cavity.
- 5** Remove (2) 9/32" hex head screws from above instrument cluster.
- 6** Engage parking brake and place gear selector in "D1".
- 7** Unclip and remove instrument cluster trim panel.
- 8** Remove (1) 9/32" hex head screw from the left edge of dash trim panel.
- 9** Unclip and remove dash trim panel.
- 10** Remove (2) 9/32" hex head screws securing radio. Unplug and remove radio.
- 11** Cut and remove the rear support from the back of radio cavity. (Figure A)

*Continue to kit assembly.*

**A**

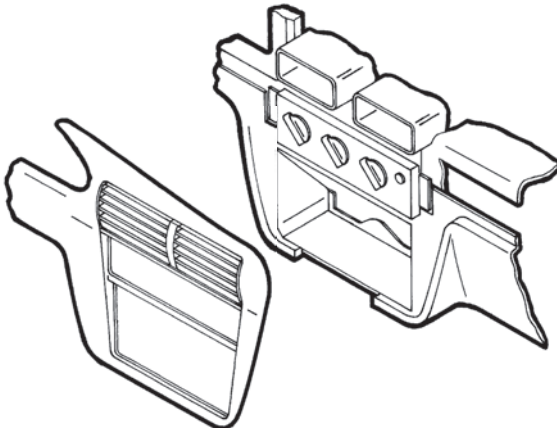
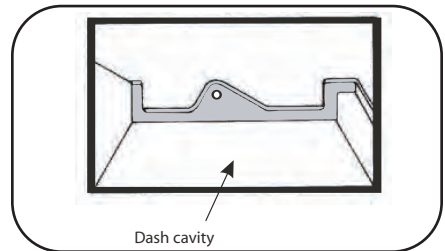


**Chevrolet Cavalier 1995-1999**

- 1** Disconnect the negative battery terminal to prevent an accidental short circuit.
- 2** Remove (3) 9/32" hex head screws from along top edge inside of glove box.
- 3** Remove (2) 9/32" hex head screws from behind glove box. (Access these screws thru cutout in rear of glove box at top left corner.)
- 4** Remove (1) Phillips head screw from defroster vent and remove the vent.
- 5** Remove (1) Phillips head screw from inside defroster.
- 6** Unclip and remove the trim panel at each of dash and remove (1) Phillips head screw from behind panel.
- 7** Remove dash pad.
- 8** Remove (3) Phillips head screws from top edge of instrument cluster/radio trim panel. Unclip and remove dash trim panel.
- 9** Remove (2) 9/32" hex head screws securing radio. Unplug and remove radio.
- 10** Cut and remove the rear support from the back of radio cavity. (Figure A)

*Continue to kit assembly.*

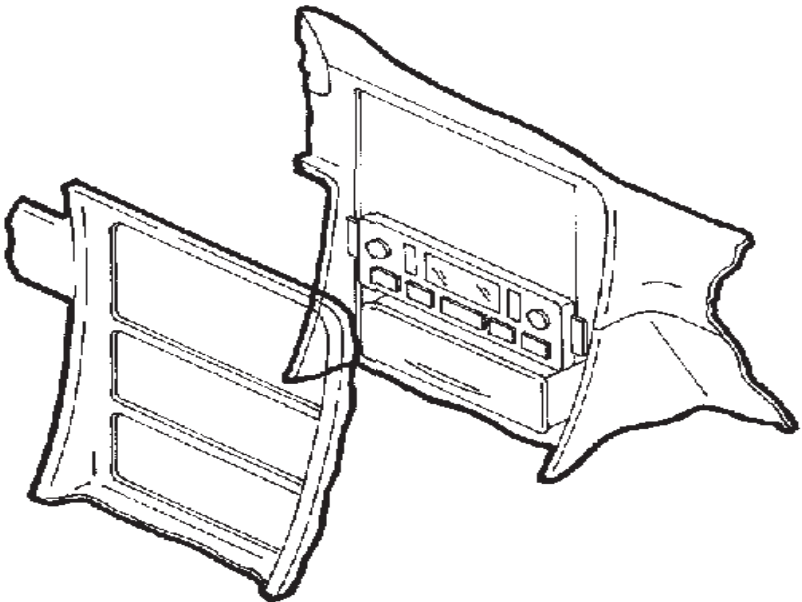
**A**



**Chevrolet Corvette 1997-1999**

- 1** Disconnect the negative battery terminal to prevent an accidental short circuit.
- 2** Using a panel removal tool pry out on the "Ride Control" switch, unplug and remove switch.
- 3** Unclip and remove switch trim panel.
- 4** Remove (2) 10 MM hex head bolts from behind panel.
- 5** Open center console door and remove (4) screws from hinge to remove door.
- 6** Open ashtray and remove (1) screw securing ashtray.
- 7** Remove ashtray and remove (1) screw from ashtray cavity.
- 8** Unclip and remove small grill to the left of the ignition switch.
- 9** Remove one (1) screw from behind grill. Unclip and remove dash trim panel.
- 10** Remove (2) 9/32" hex head screws securing radio. Unplug and remove radio.

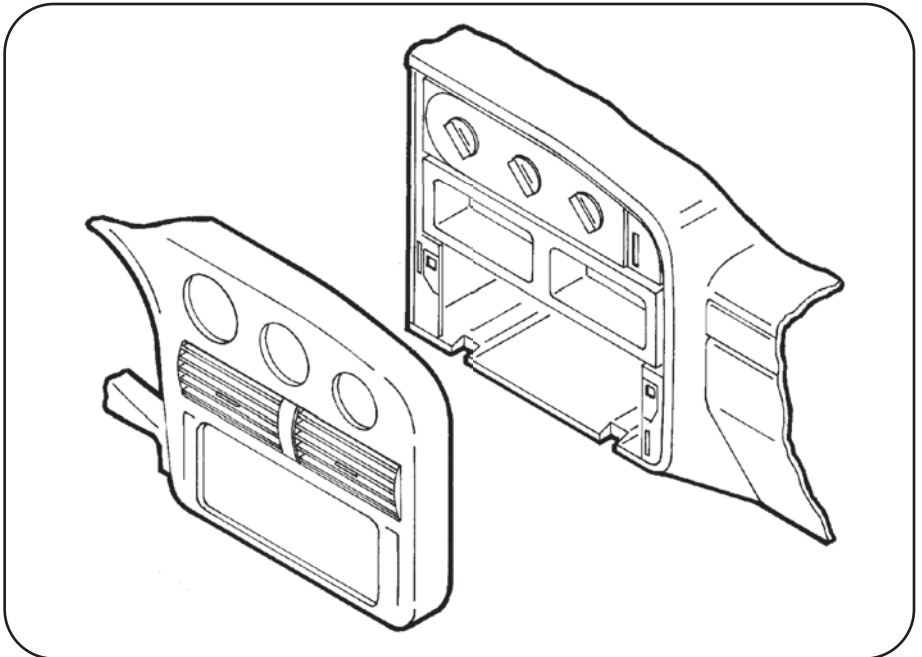
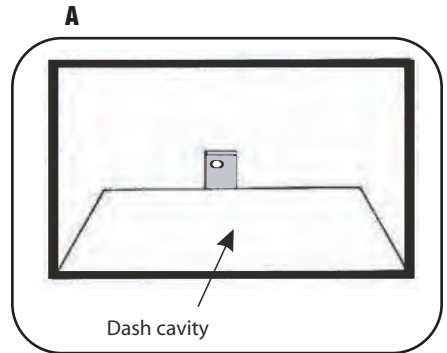
*Continue to kit assembly.*



**Chevrolet Lumina/Monte Carlo 1995-2001**

- 1** Disconnect the negative battery terminal to prevent an accidental short circuit.
- 2** Unclip and remove dash trim panel. (It may be necessary to loosen the lower dash trim panel below steering column.)
- 3** Remove (2) 9/32" hex head screws securing radio. Unplug and remove radio.
- 4** Cut and remove the rear support from the back of radio cavity. (Figure A)

*Continue to kit assembly.*

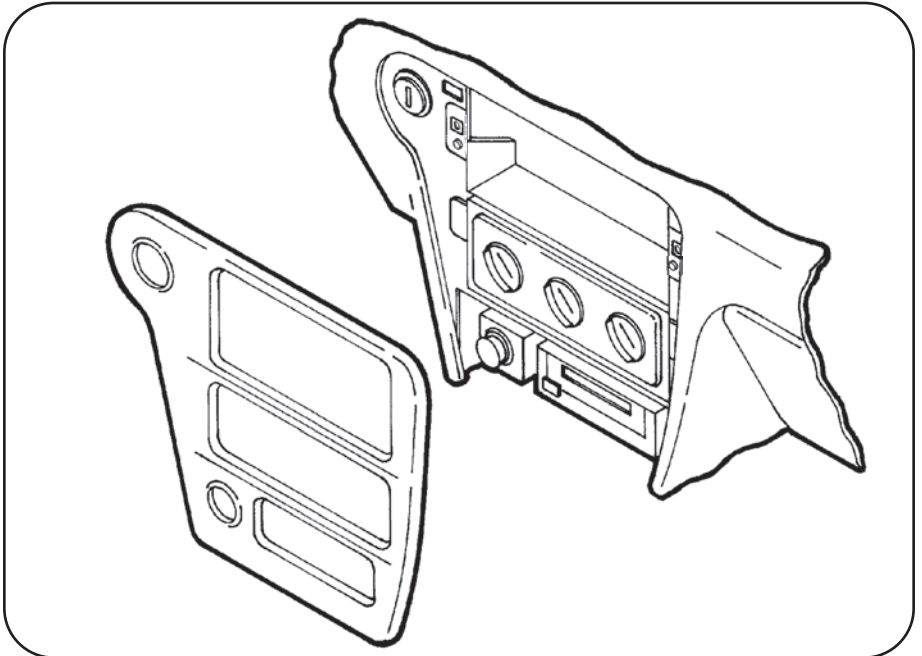




### **Chevrolet Malibu 1997-2000**

- 1** Disconnect the negative battery terminal to prevent an accidental short circuit.
- 2** Unclip and remove the radio trim panel.
- 3** Remove (2) 9/32" hex head screws securing radio. Unplug and remove radio.

*Continue to kit assembly.*

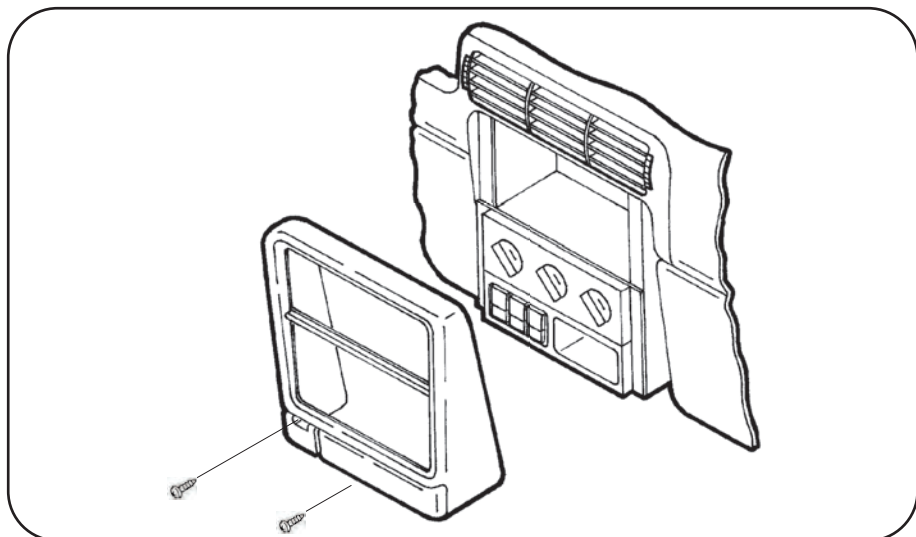
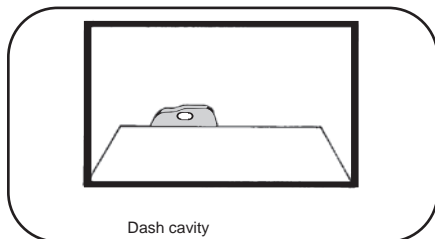


**Chevrolet Venture, Pontiac TransSport 1997-1999, Oldsmobile Silhouette 1997-2000, Pontiac Montana 1999**

- 1** Disconnect the negative battery terminal to prevent an accidental short circuit.
- 2** Remove ashtray and remove (1) Phillips head screw from ashtray cavity.
- 3** Remove (1) Phillips head screw from cigarette lighter cavity.
- 4** Unclip and remove the radio trim panel.
- 5** Remove (2) 9/32" hex head screws securing radio. Unplug and remove radio.
- 6** Cut and remove the rear support from the back of radio cavity. (Figure A)

*Continue to kit assembly.*

**A**



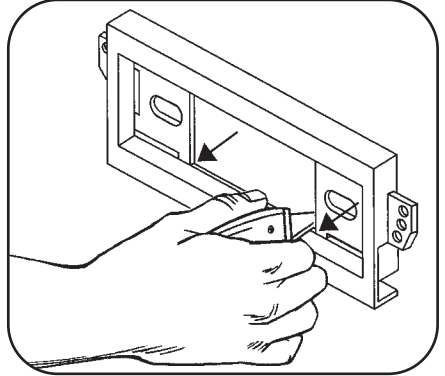
## DIN MOUNT RADIO PROVISION

*\*Note: Refer also to the instructions included with the aftermarket radio.*

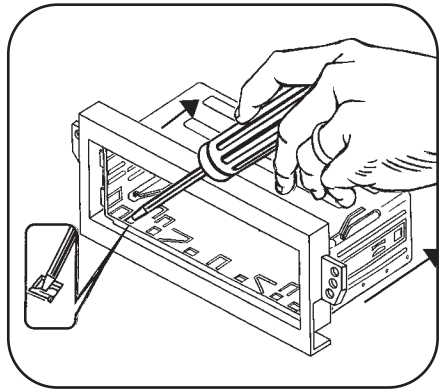
- 1 Cut and remove the shaft supports from the radio housing. (Figure A)
- 2 Slide the DIN cage into the Radio Housing and secure by bending the metal locking tabs outward. (Figure B)  
**NOTE:** The spacer included with this kit can be used between the radio and the DIN cage for vehicles with shallow radio cavities if necessary. (Figure D)
- 3 Slide the aftermarket radio into the cage until it snaps into place. (Figure C)

*Continue to final assembly.*

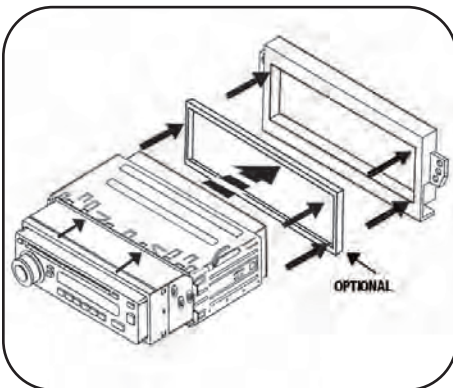
A



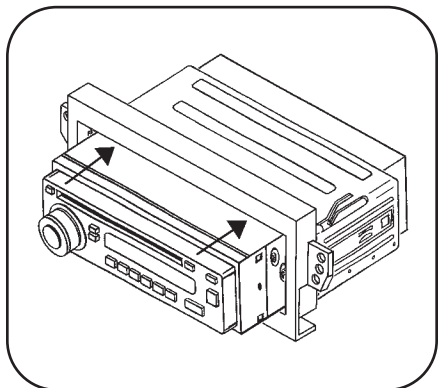
B



D



C

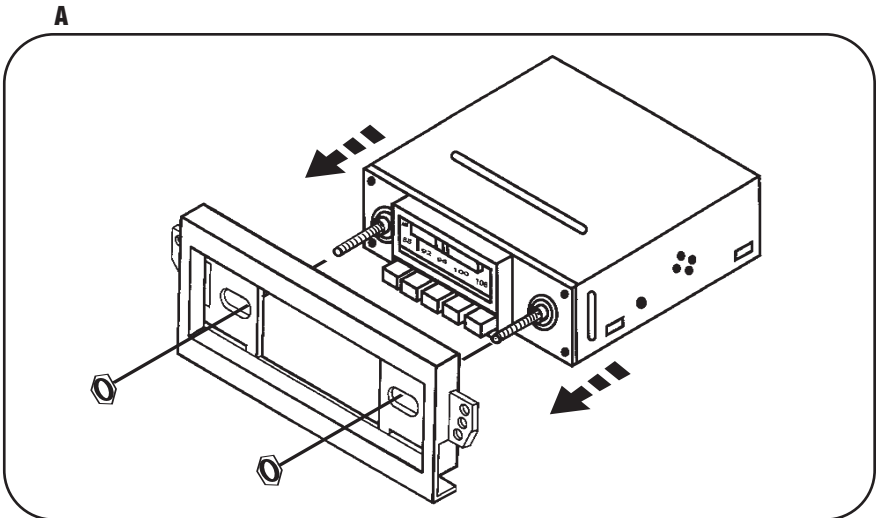


## SHAFT MOUNT RADIO PROVISION

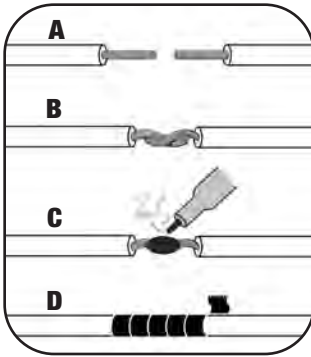
*\*Note: Refer also to the instructions included with the aftermarket radio.*

- 1 Slide the aftermarket radio into the radio housing from the back and secure using shaft nuts supplied with the radio. (Figure A)

*Continue to final assembly.*



## FINAL ASSEMBLY



**(A) Strip wire ends back 1/2"**

**(B) Twist ends together**

**(C) Solder**

**(D) Tape**

- 1** Locate the factory wiring harness in the dash. Metra recommends using the proper mating adapter and making connections as shown. (Isolate and individually tape off the ends of any unused wires to prevent electrical short circuit.)
- 2** Re-connect the negative battery terminal and test the unit for proper operation.
- 3** Reassemble radio and dash assemblies in reverse order of disassembly.

### FINAL WIRING CONNECTIONS

Make wiring connections using the EIA color code chart shown below and the instructions included with the head unit. Metra recommends making connections as shown below; Strip, Splice, Solder, Tape. Isolate and individually tape off ends of any unused wires to prevent electrical short circuit.

#### METRA / EIA WIRING CODE

12V Ignition / Acc. . . . . Red	Right Front (+) . . . . . Gray
12V Batt / Memory . . . . . Yellow	Right Front (-) . . . . . Gray / Black
Ground . . . . . Black*	Left Front (+) . . . . . White
Power Antenna . . . . . Blue	Left Front (-) . . . . . White / Black
Amp Turn-On . . . . . Blue / White	Right Rear (+) . . . . . Violet
Amp Ground . . . . . Black / White	Right Rear (-) . . . . . Violet / Black
Illumination . . . . . Orange	Left Rear (+) . . . . . Green
Dimmer . . . . . Orange / White	Left Rear (-) . . . . . Green / Black

**\*NOTE:** When a Black wire is not present, ground radio to vehicle chassis.  
All colors may not be present on all leads due to manufacturer's specifications.





# 99-3300 INSTRUCTIONS



1-800-221-0932



[www.metraonline.com](http://www.metraonline.com)

REV. 10/02/06 © COPYRIGHT 2004 METRA ELECTRONICS CORPORATION

INST99-3300