



INSTALLATION INSTRUCTIONS FOR PART 99-3306

APPLICATIONS

Chevrolet Aveo 2007-2009

Pontiac G3 2007-2009

99-3306

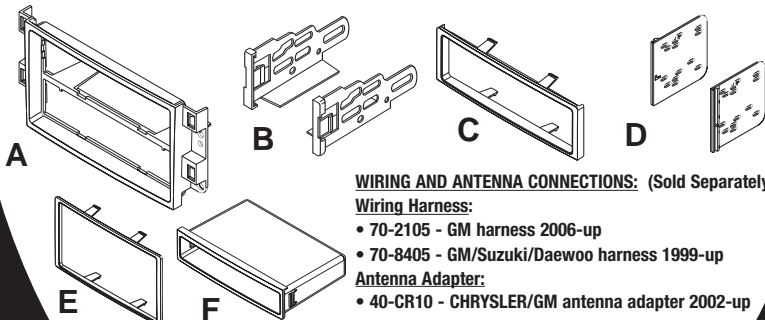
KIT FEATURES

- DIN Mount Radio Provision with Pocket
- ISO Mount Radio Provision with Pocket
- Double DIN Mount Radio Provision
- Stacked ISO Units Provision



KIT COMPONENTS

- A) Radio Housing • B) ISO Brackets • C) ISO Trim Plate • D) Double DIN Brackets
E) Double DIN Trim Plate • F) Pocket



WIRING AND ANTENNA CONNECTIONS: (Sold Separately)

Wiring Harness:

- 70-2105 - GM harness 2006-up
- 70-8405 - GM/Suzuki/Daewoo harness 1999-up

Antenna Adapter:

- 40-CR10 - CHRYSLER/GM antenna adapter 2002-up

TOOLS REQUIRED:

Small Flat Blade Screwdriver/ Panel Removal Tool

- Phillips Screwdriver • Socket Set



1-800-221-0932



www.metraonline.com

© COPYRIGHT 2004-2009 METRA ELECTRONICS CORPORATION

TABLE OF CONTENTS

Dash Disassembly

- Chevrolet Aveo 2007-2009..... 1**
- Pontiac G3 2007-2009 1**

Kit Assembly

- DIN Mount Radio Provision with Pocket 2**
- ISO Mount Radio Provision with Pocket. 3**
- Double DIN Radio Provision 4**
- Stacked ISO Units Provision 5**

Final Assembly 6

***Note:**

Refer also to the instructions included with the aftermarket radio.



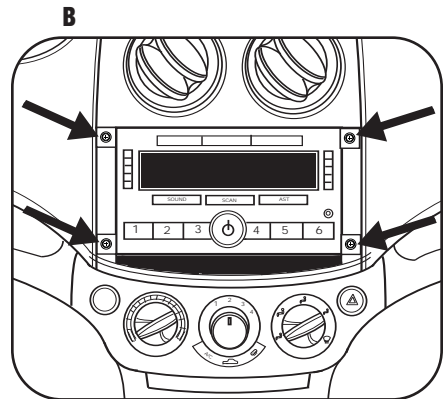
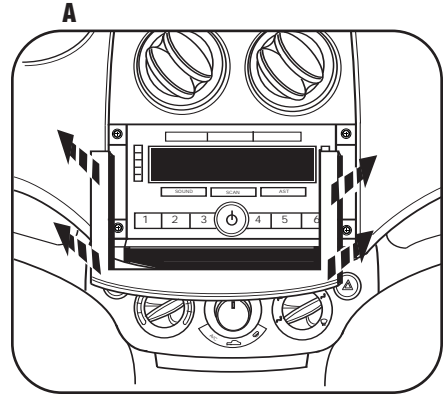
KNOWLEDGE IS POWER

Enhance your installation and fabrication skills by enrolling in the most recognized and respected mobile electronics school in our industry. Log onto www.installerinstitute.com or call 800-354-6782 for more information and take steps toward a better tomorrow.

CHEVROLET AVEO 2007-2009
PONTIAC G3 2007-2009

- 1** Disconnect the negative battery terminal to prevent an accidental short circuit.
- 2** Unclip and remove trim panel around radio. (Figure A)
- 3** Remove (4) 9/32" screws securing the radio. Unplug and remove radio. (Figure B)

Continue to kit assembly.

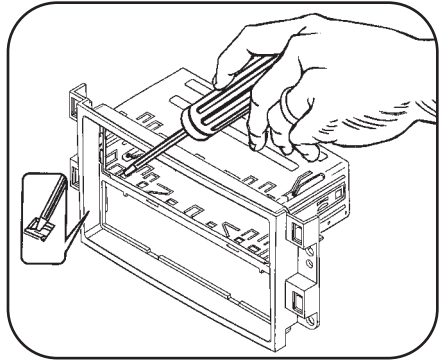
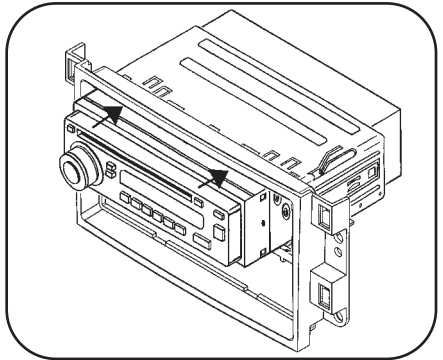
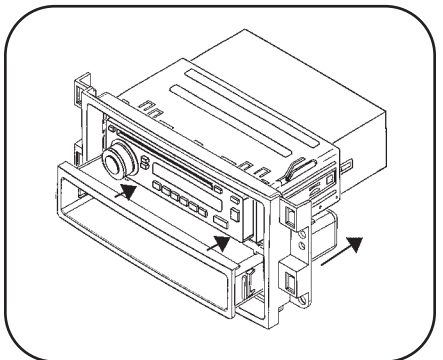


DIN MOUNT RADIO PROVISION WITH POCKET

**Note: Refer also to the instructions included with the aftermarket radio.*

- 1** Slide the DIN cage into the Radio Housing and secure by bending the metal locking outward. (Figure A)
- 2** Slide the aftermarket radio into the DIN cage until it snaps into place. (Figure B)
- 3** Snap the pocket into the radio housing. (Figure C)

Continue to final assembly.

A

B

C


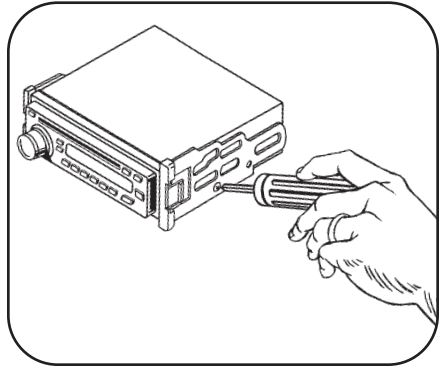
ISO MOUNT RADIO PROVISION WITH POCKET

**Note: Refer also to the instructions included with the aftermarket radio.*

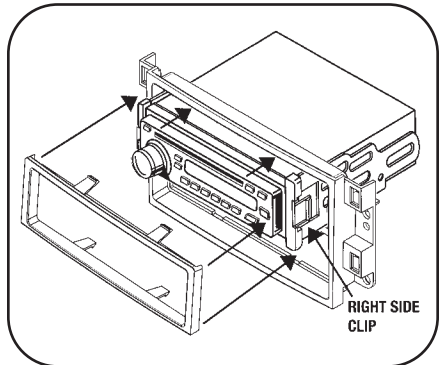
- 1 Mount the ISO Brackets to the radio using the screws supplied with the radio. (Figure A)
- 2 Slide the radio into the radio opening until it snaps into place. (Figure B)
- 3 Snap the ISO Trim Plate onto the front of the Radio Housing. (Figure B)
- 4 Snap the pocket into the radio housing. (Figure C)

Continue to final assembly.

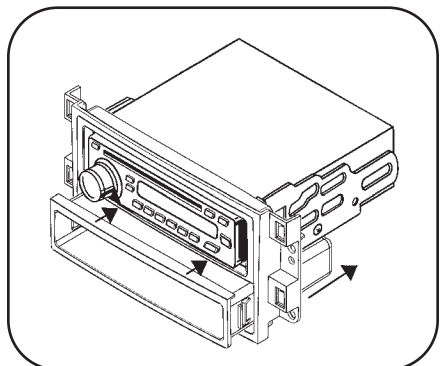
A



B



C



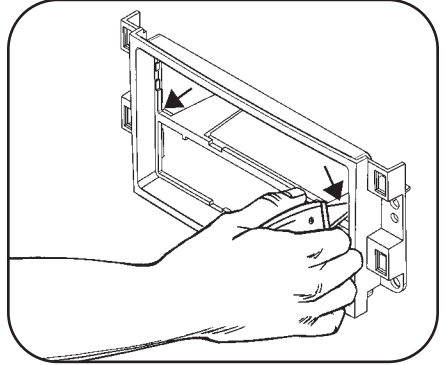
DOUBLE DIN MOUNT RADIO PROVISION

**Note: Refer also to the instructions included with the aftermarket radio.*

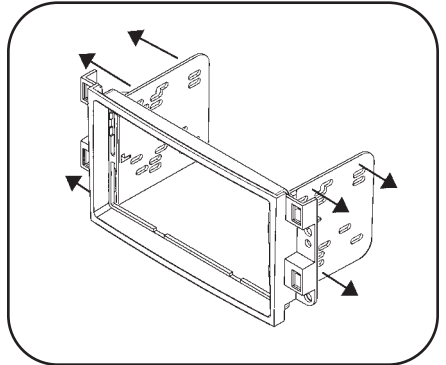
- 1 Cut and remove the center bar from the radio housing. (Figure A)
- 2 Snap the Double DIN brackets to the inside edge of the radio housing. (Figure B)
- 3 Slide the Double DIN radio into the bracket/radio housing assembly and secure the radio to the assembly using the screws supplied with the radio. (Figure C)
- 4 Snap the Double DIN trim-plate onto the front of the housing/radio assembly. (Figure C)

Continue to final assembly.

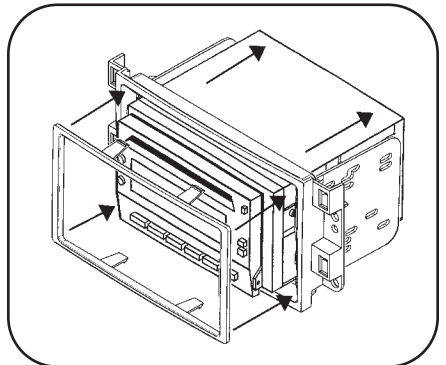
A



B



C



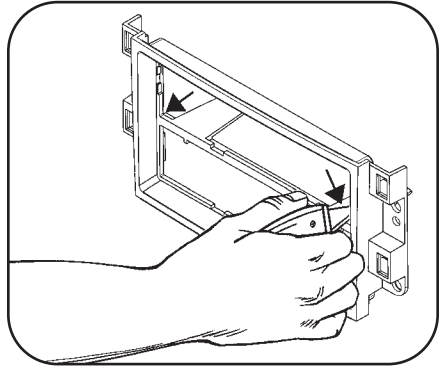
STACKED ISO UNITS PROVISION

**Note: Refer also to the instructions included with the aftermarket radio.*

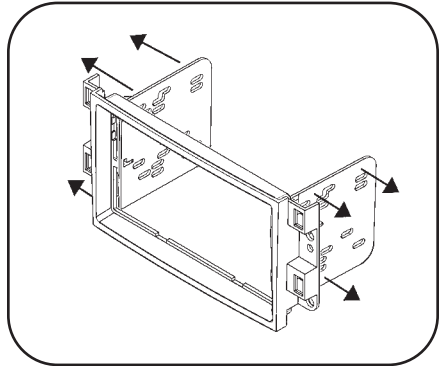
- 1 Cut and remove the center bar from the radio housing. (Figure A)
- 2 Snap the Double DIN brackets to the inside edge of the radio housing. (Figure B)
- 3 Slide the stacked ISO units into the bracket/radio housing assembly and secure the units to the assembly using the screws supplied with the units. (Figure C)
- 4 Snap the Double DIN trim-plate onto the front of the housing/radio assembly. (Figure D)

Continue to final assembly.

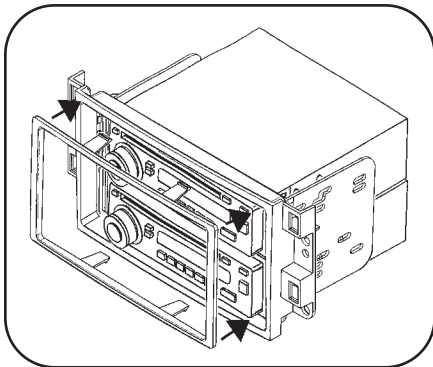
A



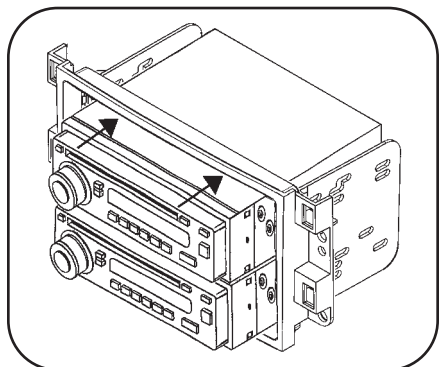
B



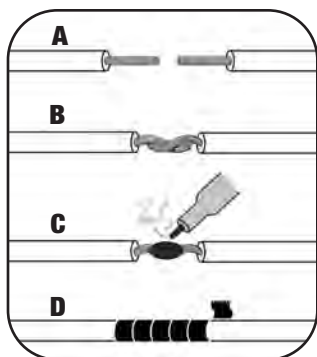
D



C



FINAL ASSEMBLY



- (A) Strip wire ends back 1/2"**
- B) Twist ends together**
- C) Solder**
- D) Tape**

- 1** Locate the factory wiring harness in the dash. Metra recommends using the proper mating adapter and making connections as shown. (Isolate and individually tape off the ends of any unused wires to prevent electrical short circuit.)
- 2** Re-connect the negative battery terminal and test the unit for proper operation.
- 3** Reassemble radio and dash assemblies in reverse order of disassembly.

FINAL WIRING CONNECTIONS

Make wiring connections using the EIA color code chart shown below and the instructions included with the head unit. Metra recommends making connections as shown below; Strip, Splice, Solder, Tape. Isolate and individually tape off ends of any unused wires to prevent electrical short circuit.

METRA / EIA WIRING CODE

12V Ignition / Acc.	Red	Right Front (+)	Gray
12V Batt / Memory	Yellow	Right Front (-)	Gray/ Black
Ground	Black*	Left Front (+)	White
Power Antenna	Blue	Left Front (-)	White / Black
Amp Turn-On	Blue / White	Right Rear (+)	Violet
Amp Ground	Black / White	Right Rear (-)	Violet / Black
Illumination	Orange	Left Rear (+)	Green
Dimmer	Orange / White	Left Rear (-)	Green / Black

***NOTE:** When a Black wire is not present, ground radio to vehicle chassis.
All colors may not be present on all leads due to manufacturer's specifications.



1-800-221-0932



www.metraonline.com