

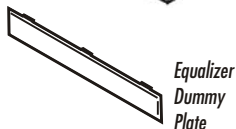
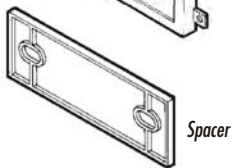
KIT FEATURES

- ▶ Shaft and DIN unit provisions
- ▶ Equalizer provisions



99-3411 INSTALLATION INSTRUCTIONS

KIT COMPONENTS



APPLICATIONS

CAR

PAGE

CHEVROLET

Metro 1998-01.....1-2

GEO

Metro 1995-97.....1-2

SUZUKI

Swift 1995-01.....1-2

TOOLS REQUIRED



Adjustable wrench



Phillips screwdriver



Cutting tool



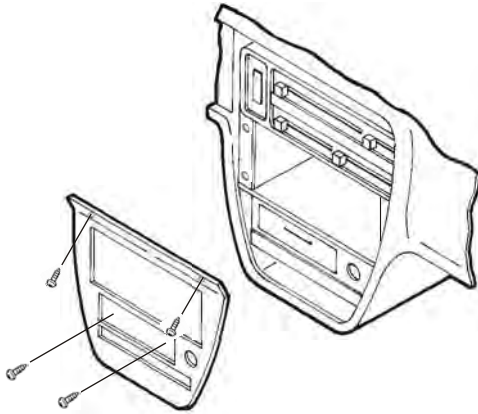
☎ 1-800-221-0932 💻 www.metraonline.com

© COPYRIGHT 2001 METRA ELECTRONICS CORPORATION

rev. 71202

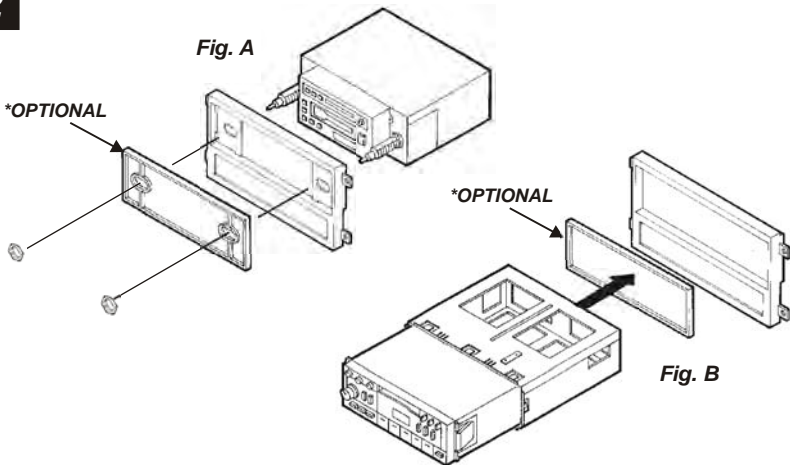
ALL VEHICLES

1



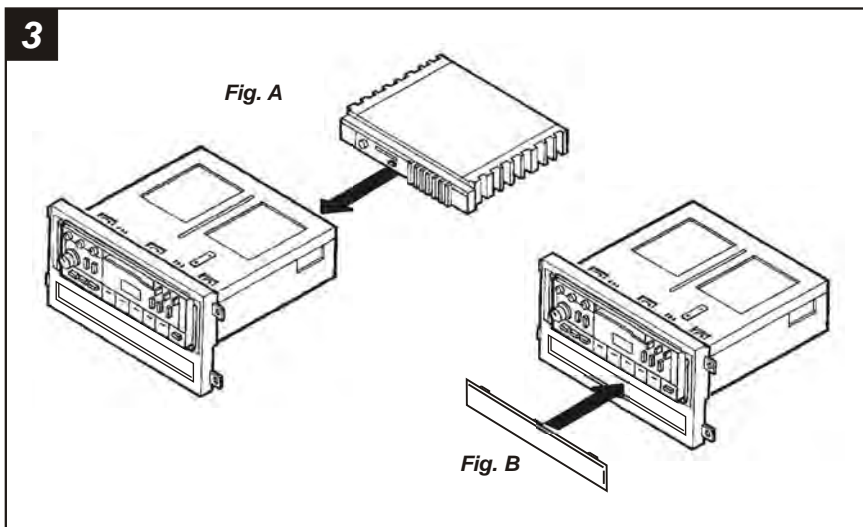
Disconnect the negative battery terminal to prevent an accidental short circuit. Remove the ashtray and (2) Phillips screws exposed. Remove (2) Phillips screws above the radio opening. Unclip the radio trim bezel and disconnect the cigarette lighter wiring. Remove (2) screws securing each side of the factory head unit and (1) screw from the rear support. Slide the unit out and disconnect the wiring.

2



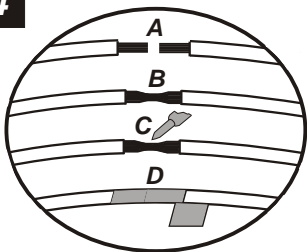
2-SHAFT HEAD UNITS: Slide the aftermarket head unit into the kit and secure with shaft nuts. (see Fig. A)

DIN HEAD UNITS: Cut and remove the shaft supports from the **Spacer*** and **Radio Housing**. Slide the DIN cage into the Housing and secure by bending the metal locking tabs down. Slide the aftermarket head unit into the cage until secure. (see Fig. B)

3

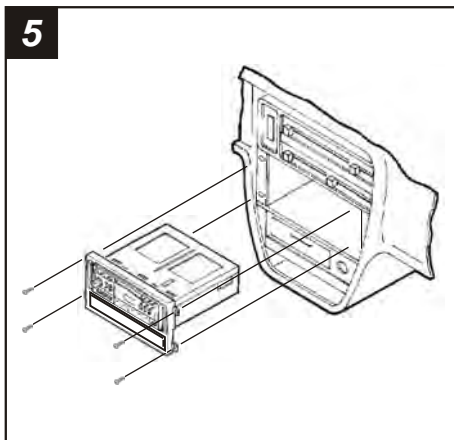
IF AN EQUALIZER WILL BE INCLUDED: Slide the aftermarket equalizer into the back of the **Radio Housing**. Using the hardware included with the equalizer, mount the unit to the kit. (see Fig. A)

IF AN EQUALIZER WILL NOT BE INCLUDED: Snap the **Equalizer Dummy Plate** into the **Radio Housing**. (see Fig. B)

4

- A) Strip wire ends back ½"
- B) Twist ends together
- C) Solder
- D) Tape

Locate the factory wiring harness in the dash. Metra recommends using the proper mating adaptor and making connections as shown. (Isolate and individually tape off the ends of any unused wires to prevent electrical short circuit).

5

Re-connect the battery terminal and test the unit for proper operation. Mount the head unit/kit assembly to the sub-dash with (4) screws previously removed.