



## INSTALLATION INSTRUCTIONS FOR PART 99-7504

### APPLICATIONS

# Mazda 3

## 2004-2009

# 99-7504

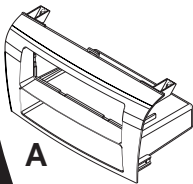
### KIT FEATURES

- DIN Mount Radio Provision with Pocket
- ISO Mount Radio Provision with Pocket
- Bonus Display Replacement Pocket
- Retains Factory Display For Automatic Climate Controls

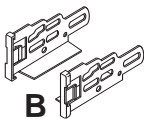


### KIT COMPONENTS

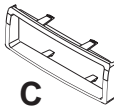
- A) Radio Housing • B) ISO Brackets • C) Trim Plate • D) Display Replacement Pocket  
• E) Display Retention Brackets • F) (2) 3/8" #10 Bolts and (2) #10 Nuts



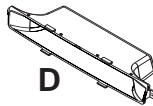
A



B



C



D



E



F

### WIRING AND ANTENNA CONNECTIONS (Sold Separately)

#### Harness:

- 70-7903 - Mazda harness 2001-up

#### Antenna Adapter:

- Not required

### TOOLS REQUIRED:

Small Flat Blade Screwdriver/ Panel Removal Tool

- Phillips Screwdriver



1-800-221-0932



www.metraonline.com

© COPYRIGHT 2004-2009 METRA ELECTRONICS CORPORATION

## TABLE OF CONTENTS

### Dash Disassembly

**- Mazda 3 2004-2009..... 1**

### Kit Assembly

**- Display Brackets/Pocket Assembly ..... 2**  
**- DIN Mount Radio Provision with Pocket ..... 3**  
**- ISO DIN Mount Radio Provision with Pocket ..... 4**

**Final Assembly ..... 5,6**

**\*Note:**

**Refer also to the instructions included with the aftermarket radio.**



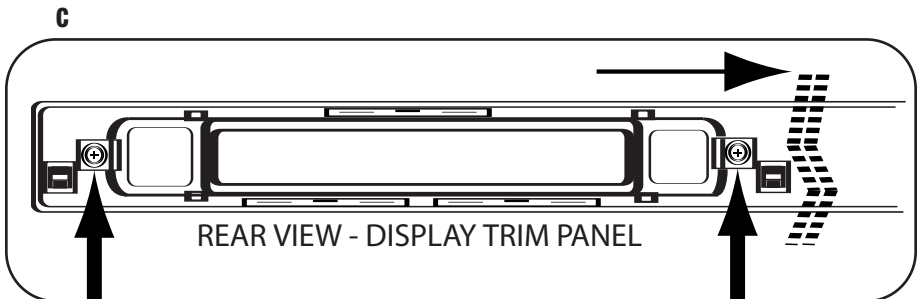
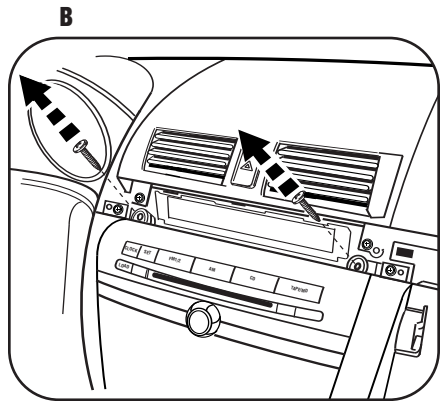
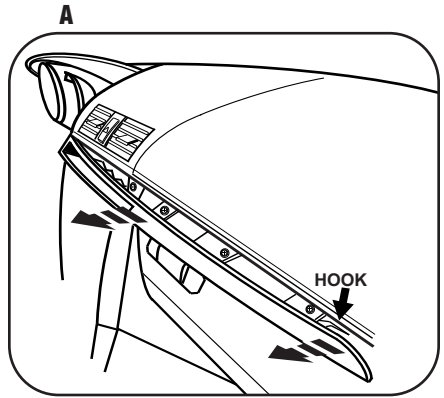
### **KNOWLEDGE IS POWER**

Enhance your installation and fabrication skills by enrolling in the most recognized and respected mobile electronics school in our industry. Log onto [www.installerinstitute.com](http://www.installerinstitute.com) or call 800-354-6782 for more information and take steps toward a better tomorrow.

## MAZDA 3 2004-2009

- 1 Disconnect the negative battery terminal to prevent an accidental short circuit.
- 2 Unclip and remove display trim panel above radio. **Tip:** Open glove box and start in middle of panel working towards drivers side first because last connection on far passenger side is a hook. (Figure A)
- 3 Remove (2) Phillips screws exposed at top of radio then unclip and remove radio. **Note:** *Display is attached to radio brackets and will be removed at same time as radio.* (Figure B)
- 4 Remove (2) Phillips screws on back of display trim panel securing display trim then unclip and remove. (Figure B)

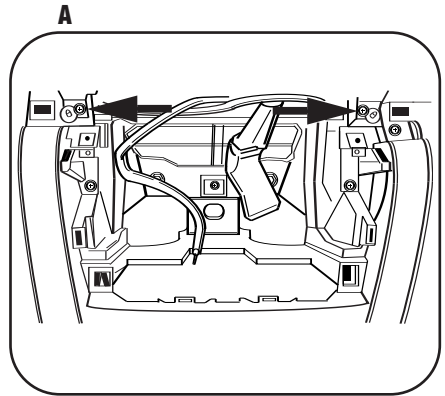
*Continue to display pocket assembly.*



## **DISPLAY BRACKETS/POCKET ASSEMBLY** **MAZDA 3 2004-2009**

### **AUTOMATIC CLIMATE CONTROL VEHICLES**

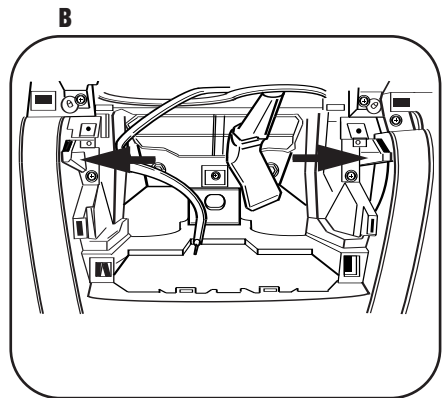
- 1** Using the (2) 3/8" #10 bolts and (2) #10 nuts attach the display retention brackets to the display unit.
- 2** Remove the (2) Phillips screws in the sub dash. (Figure A)
- 3** Secure the display unit into the sub dash using the screws removed in the previous step.



### **MANUAL CLIMATE CONTROL VEHICLES**

- 1** Using the (2) Phillips screws removed in step 4 of Dash Disassembly secure the display replacement pocket to the back of the display trim panel. (Figure B)

*Continue to kit assembly.*

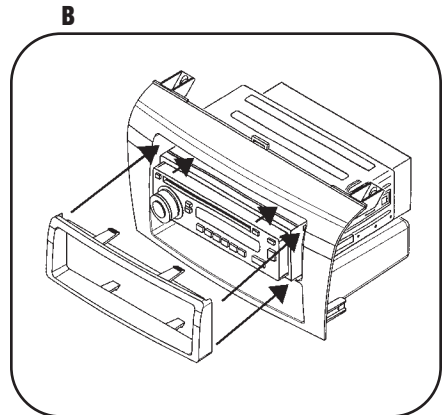
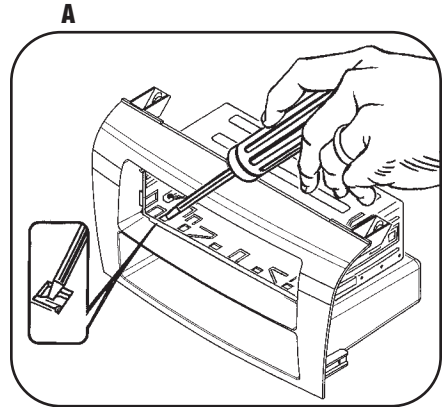


## DIN MOUNT RADIO PROVISION

*\*Note: Refer also to the instructions included with the aftermarket radio.*

- 1 Slide the DIN cage into the Radio Housing and secure by bending the metal locking tabs down. (Figure A)
- 2 Slide the aftermarket radio unit into the cage and secure. (Figure B)
- 3 Snap the Trim plate into the Radio Housing. (Figure B)

*Continue to final assembly.*



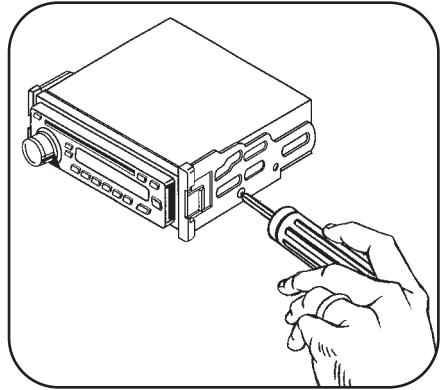
## ISO DIN MOUNT RADIO PROVISION

*\*Note: Refer also to the instructions included with the aftermarket radio.*

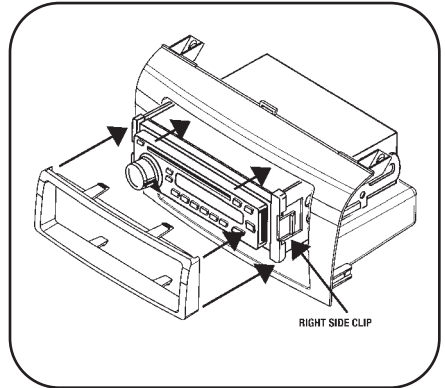
- 1 Mount the ISO Brackets to the aftermarket radio using the screws supplied with the radio. (Figure A)
- 2 Slide the radio into the radio housing until it snaps into place. (Figure B)
- 3 Attach the trim plate supplied with the kit to the front of the radio housing assembly. (Figure B)

*Continue to final assembly.*

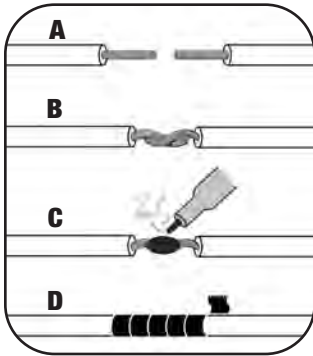
**A**



**B**



## FINAL ASSEMBLY



**(A) Strip wire ends back 1/2"**

**B) Twist ends together**

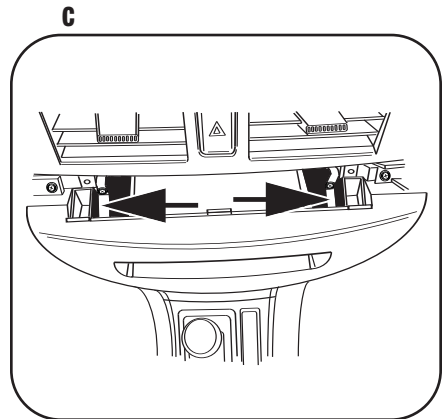
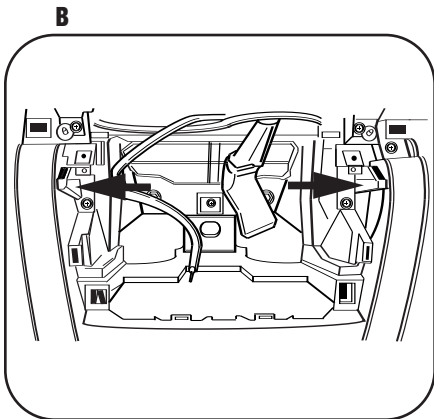
**C) Solder**

**D) Tape**

- 1** Locate the factory wiring harness in the dash. Metra recommends using the proper mating adapter and making connections as shown. (Isolate and individually tape off the ends of any unused wires to prevent electrical short circuit.)
- 2** Re-connect the negative battery terminal and test the unit for proper operation.
- 3** Reassemble radio and dash assemblies in reverse order of disassembly.

**Note:** When inserting the 99-7504 into the sub dash be aware of the locations pointed out in Figure B.

If the 99-7504 does not snap in correctly the result will be a noticeable gap on each side of the installation kit. (Figure C)



## **FINAL WIRING CONNECTIONS**

Make wiring connections using the EIA color code chart shown below and the instructions included with the head unit. Metra recommends making connections as shown below; Strip, Splice, Solder, Tape. Isolate and individually tape off ends of any unused wires to prevent electrical short circuit.

### **METRA / EIA WIRING CODE**

12V Ignition / Acc. . . . .	Red	Right Front (+) . . . . .	Gray
12V Batt / Memory . . . . .	Yellow	Right Front (-) . . . . .	Gray/ Black
Ground . . . . .	Black*	Left Front (+) . . . . .	White
Power Antenna . . . . .	Blue	Left Front (-) . . . . .	White / Black
Amp Turn-On . . . . .	Blue / White	Right Rear (+) . . . . .	Violet
Amp Ground . . . . .	Black / White	Right Rear (-) . . . . .	Violet / Black
Illumination . . . . .	Orange	Left Rear (+) . . . . .	Green
Dimmer . . . . .	Orange / White	Left Rear (-) . . . . .	Green / Black

**\*NOTE:** When a Black wire is not present, ground radio to vehicle chassis.  
All colors may not be present on all leads due to manufacturer's specifications.



1-800-221-0932



[www.metraonline.com](http://www.metraonline.com)