



GM CLASS II DATA BUS INTERFACE

GMRC-02 INSTALLATION INSTRUCTIONS

*** Retains the factory door chime and supplies a 12V switched voltage for audio operation.**

*** READ IMPORTANT WARNING ON PAGE 1 BEFORE ATTEMPTING ANY INSTALLATION**

(Not compatible with BOSE or MONSOON systems)

APPLICATIONS

CHEVROLET

Avalanche
2003-05
Cavalier 2000-05
Colorado 2004-05
Express 2003-05
Impala 2000-05
Malibu 2002-03
Malibu Classic
2004
Monte Carlo
2000-05
Tahoe 2003-05

Trailblazer
2002-05
Silverado
2003-05
Suburban
2003-05

OLDSMOBILE

Alero 2001-04
Bravada 2002-04
Intrigue 2002
Silhouette 2000-03

GMC

Canyon 2004-05
Envoy 2002-05

Savanna 2003-05
Sierra 2003-05
Yukon 2003-05

PONTIAC

Aztec 2001-05
Grand Am 2001-05
Grand Prix
2004-05
Montana (except
SV6) 2000-05
Sunfire 2000-05

ISUZU

Ascender 2003-05

INTERFACE COMPONENTS

- GMRC-02 Data Interface
- 10 pin to 24 pin GM harness w/ stripped leads



1-800-221-0932



www.metraonline.com

©Copyright 2004 Metra Electronics Corporation

*** IMPORTANT WARNING**

THIS PRODUCT INCLUDES INSTRUCTIONS FOR INSTALLATION WHICH MUST BE CAREFULLY FOLLOWED. THE INSTRUCTIONS ARE WORDED IN SUCH A MANNER TO ASSUME THAT THE INSTALLER IS CAPABLE OF COMPLETING THESE TYPE OF ELECTRONIC INSTALLATIONS. IF YOU ARE UNCLEAR AS TO WHAT YOU ARE INSTRUCTED TO DO OR BELIEVE THAT YOU DO NOT UNDERSTAND THE INSTRUCTIONS SO AS TO PROPERLY AND SAFELY COMPLETE THE INSTALLATION YOU SHOULD CONSULT A TECHNICIAN WHO DOES HAVE THIS KNOWLEDGE AND UNDERSTANDING. **FAILURE TO FOLLOW THESE INSTRUCTIONS CAREFULLY AND TO INSTALL THE INTERFACE AS DESCRIBED COULD CAUSE HARM TO THE VEHICLE OR TO SAFETY SYSTEMS ON THE VEHICLE. INTERFERENCE WITH CERTAIN SAFETY SYSTEMS COULD CAUSE HARM TO PERSONS AS WELL. IF YOU HAVE ANY QUESTIONS IN THIS REGARD PLEASE CALL THE HELP LINE OR THE METRA AT 1-800-221-0932 FOR ASSISTANCE.**

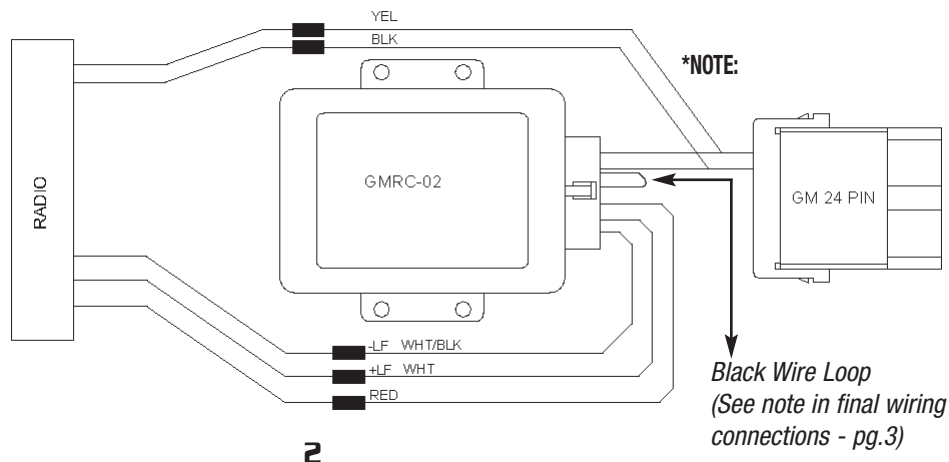
TOOLS REQUIRED FOR INSTALLATION

- Cutting Tool • Tape • Crimping Tool
- Connectors (ie: butt-connectors, bell caps, etc.)

INSTALLING THE INTERFACE

* **IMPORTANT:** Before beginning any of the following, disconnect the negative battery terminal to prevent an accidental short circuit.

** **Note:** The ignition power source of every GM vehicle keeps the radio on until the front driver door is opened. The GMRC-02 is designed to retain this feature.





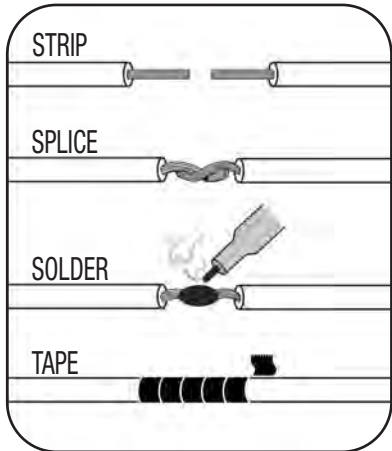
INST-GMRC02

FINAL WIRING CONNECTIONS

Make wiring connections using the EIA color code chart shown below and the instructions included with the head unit. Metra recommends making connections as shown below; Strip, Splice, Solder, Tape. Isolate and individually tape off ends of any unused wires to prevent electrical short circuit.

METRA / EIA WIRING CODE

12V Ignition / Acc.	Red
12V Batt / Memory.	Yellow
Ground.	Black*
Power Antenna.	Blue
Amp Turn-On	Blue / White
Amp Ground.	Black / White
Illumination	Orange
Dimmer	Orange / White
Right Front (+).	Gray
Right Front (-).	Gray / Black
Left Front (+).	White
Left Front (-).	White / Black
Right Rear (+).	Violet
Right Rear (-).	Violet / Black
Left Rear (+).	Green
Left Rear (-).	Green / Black



***NOTE:** If a lower chime volume is desired, cut black wire loop on the 10-way connector plugged into the GMRC-02. Be sure to tape both ends of the black wire loop.

INST-GMRC02



1-800-221-0932



www.metraonline.com

©Copyright 2004 Metra Electronics Corporation