

### 2009 BMW M3 SEDAN 4.0L V8

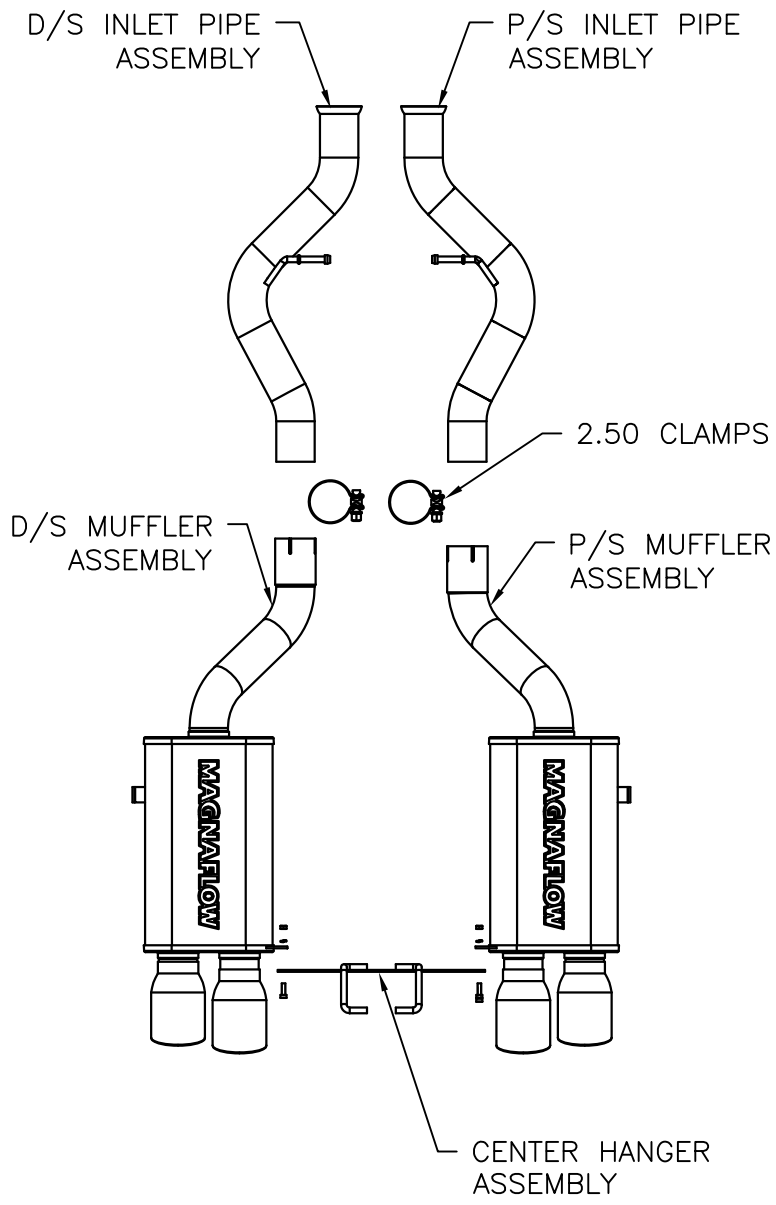
**Warning:** When working on, under, or around any vehicle exercise caution. Please allow the vehicle's exhaust system to cool before removal, as exhaust system temperatures may cause severe burns. If working without a lift, always consult vehicle manual for correct lifting specifications. Always wear safety glasses and ensure a safe work area. Serious injury or death could occur if safety measures are not followed.

**Step 1:** (Carefully read all instructions before installation) Disconnect the vehicle's battery before removal of the OEM exhaust. This will allow the computer to reset itself with the new system, and prevent electrical accidents.

**Step 2:** To remove the OEM exhaust system loosen the clamps behind the resonators, unfasten the hangers from the rubber insulators and carefully remove the assembly in one piece. Retain the stock hardware and rubber insulators as they will be needed to install your new MAGNAFLOW system.

**Step 3:** Lay out your new system before you start the installation process to check orientation of the assemblies. First install the Rear Center Hanger Assembly using the OEM insulators, then working front to rear install the new system. Install the new Inlet Pipe Assemblies to the front resonators using the OEM clamps and insulators. Mount the Muffler Assemblies to the inlet pipes using the supplied clamps and complete installation by attaching the hangers to the OEM rubber insulators re-using the factory hardware and using the MAGNAFLOW supplied fasteners to attach the mufflers to the Center Hanger.

**Step 4:** With all components mounted loosely, adjust the system for overall aesthetics and clearance of frame & bodywork. (MAGNAFLOW recommends at least 1/2" of clearance between the exhaust system and any body panels to prevent heat-related body damage or fire.)



\*MAGNAFLOW Performance Exhaust recommends professional installation on all their products

Technical support: 1-800-959-9226 ext. 4500