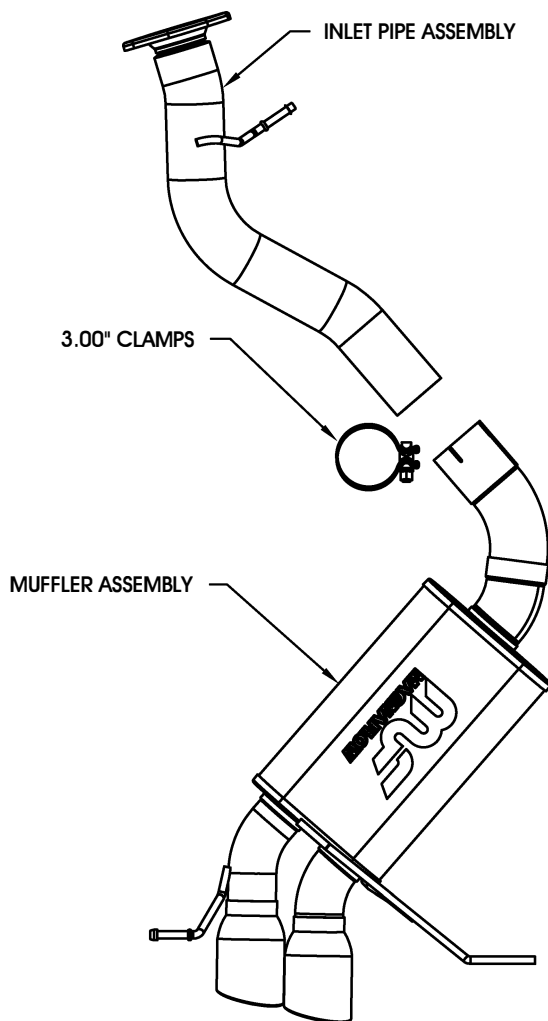


### 2008-2009 BMW 135i 3.0L

**Warning:** When working on, under, or around any vehicle exercise caution. Please allow the vehicle's exhaust system to cool before removal, as exhaust system temperatures may cause severe burns. If working without a lift, always consult vehicle manual for correct lifting specifications. Always wear safety glasses and ensure a safe work area. Serious injury or death could occur if safety measures are not followed.



**Step 1:** (Carefully read all instructions before installation) Disconnect the vehicle's battery before removal of the OEM exhaust, this will allow the computer to reset itself with the new system and prevent electrical accidents. Remove the OEM exhaust by unfastening the two bolt flange at the back of the factory resonator and disengaging the hangers from the rubber insulator, do not discard the OEM fasteners and rubber insulators as they will be used on the new system.

**Step 2:** Install the new Inlet Pipe Assembly by connecting it to the factory flange connection and fitting the hanger into the rubber insulator. Next, install the Muffler Assembly using the supplied 3.00" clamp and OEM rubber insulators, attaching it to the Inlet Pipe Assembly and the vehicle. Plug the redundant vacuum hose that previously attached to the OEM system with the supplied bolt plug.

**Step 3:** With all components mounted loosely, adjust the system for overall aesthetics and clearance of frame & bodywork. (MAGNAFLOW recommends at least 1/2" of clearance between the exhaust system and any body panels to prevent heat-related body damage or fire.)

**Step 4:** Once a final position has been chosen for the new system, evenly tighten all fasteners from front to rear. The supplied band clamps must be VERY tight to properly align the pipes and prevent leaks (Approximately 65 ft-lbs). Inspect all fasteners after 25-50 miles of operation and retighten if necessary.