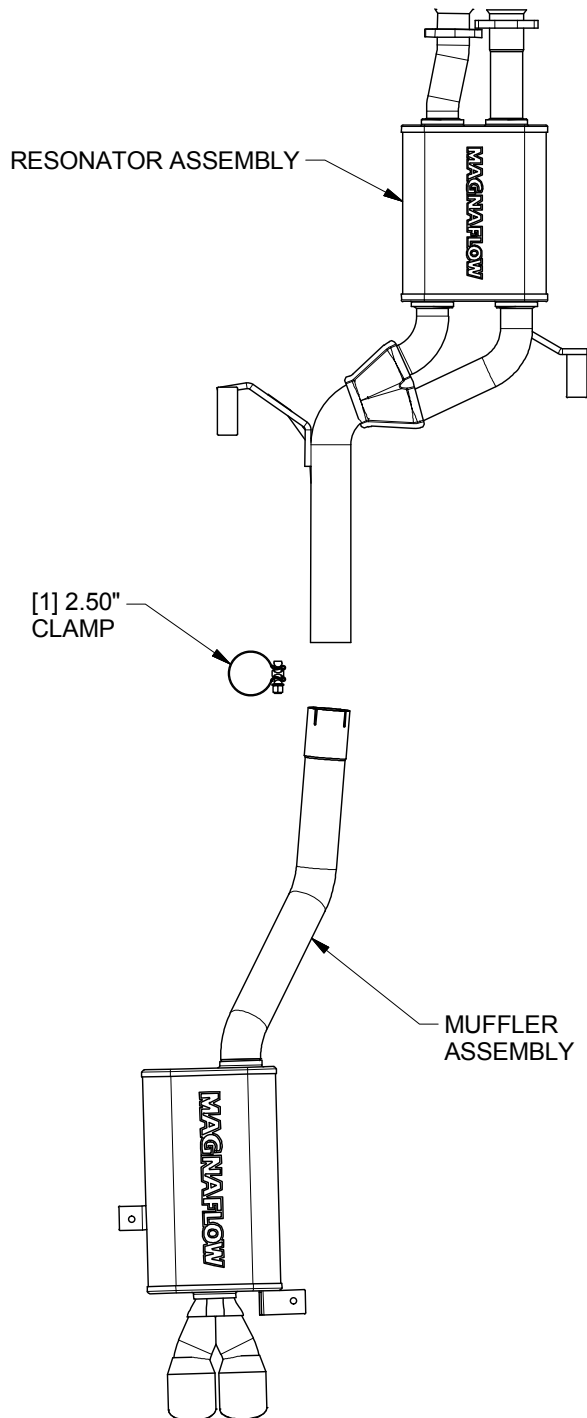


1991-1995 BMW 525i 2.5L



Warning: When working on, under, or around any vehicle exercise caution. Please allow the vehicle's exhaust system to cool before removal, as exhaust system temperatures may cause severe burns. If working without a lift, always consult vehicle manual for correct lifting specifications. Always wear safety glasses and ensure a safe work area. Serious injury or death could occur if safety measures are not followed.

Step 1: (Carefully read all instructions before installation) Begin removal of the OEM exhaust system by unfastening the OEM nuts and bolts located behind the catalytic converter. Do not damage or discard the rubber insulators or the OEM fasteners, as they will be reused to mount the new system. Disengage the welded hangers from the OEM rubber insulators and remove the entire OEM exhaust system.

Step 2: Install the new exhaust system by using a front to rear method. Using the OEM fasteners install the resonator assembly by bolting the inlet flanges to the outlet end of the catalytic converter. Then install the Muffler Assembly using the supplied 2.5" clamp and insert the welded hangers into the OEM rubber insulator. Leave all clamps loose for the final adjustment of the complete system.

Step 3: With all components mounted loosely, adjust the system for overall aesthetics and clearance of frame & bodywork. (MAGNAFLOW recommends at least 1/2" of clearance between the exhaust system and any body panels to prevent heat-related body damage or fire.)

Step 4: Once a final position has been chosen for the new system, evenly tighten all fasteners from front to rear. The supplied band clamps must be VERY tight to properly align the pipes and prevent leaks (Approximately 40ft-lbs). U-bolt clamps should be tightened to approximately 30-35ft-lbs. Inspect all fasteners after 25-50 miles of operation and retighten if necessary.

**** Magnaflow Performance Exhaust recommends professional installation on all their products**