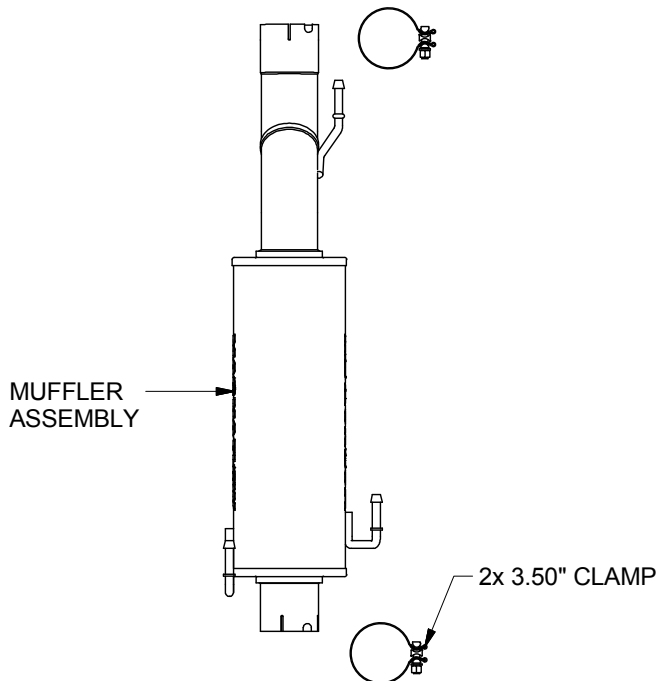


2003-2004 Dodge Ram 5.9L



Warning: When working on, under, or around any vehicle exercise caution. Please allow the vehicle's exhaust system to cool before removal, as exhaust system temperatures may cause severe burns. If working without a lift, always consult vehicle manual for correct lifting specifications. Always wear safety glasses and ensure a safe work area. Serious injury or death could occur if safety measures are not followed.

Step 1: To remove the OEM muffler on the short bed application, cut the inlet pipe 7.25" in front of the muffler, and also 7.25" behind the muffler. To remove the OEM muffler on the long bed vehicle, cut the inlet pipe 10.5" in front of the muffler, and 7.25" behind the muffler. Once the new muffler is partially installed, use the specific extension pipe so you can mark and trim the tailpipe to fit the outlet of the muffler.

Step 2: Deburr the cut pipes, then install the new muffler and extension pipe using the supplied 3.50" clamps and by fitting the welded hangers into the rubber insulators. You can now install the clamp-on tip on the tailpipe using the supplied clamp.

Step 3: With all components mounted loosely, adjust the system for overall aesthetics and clearance of frame & bodywork. (MAGNAFLOW recommends at least 1/2" of clearance between the exhaust system and any body panels to prevent heat-related body damage or fire.)

Step 4: Once a final position has been chosen for the new system, evenly tighten all fasteners from front to rear. The supplied band clamps must be VERY tight to properly align the pipes and prevent leaks (Approximately 40ft-lbs). Inspect all fasteners after 25-50 miles of operation and retighten if necessary.

**** Magnaflow Performance Exhaust recommends professional installation on all their products**