

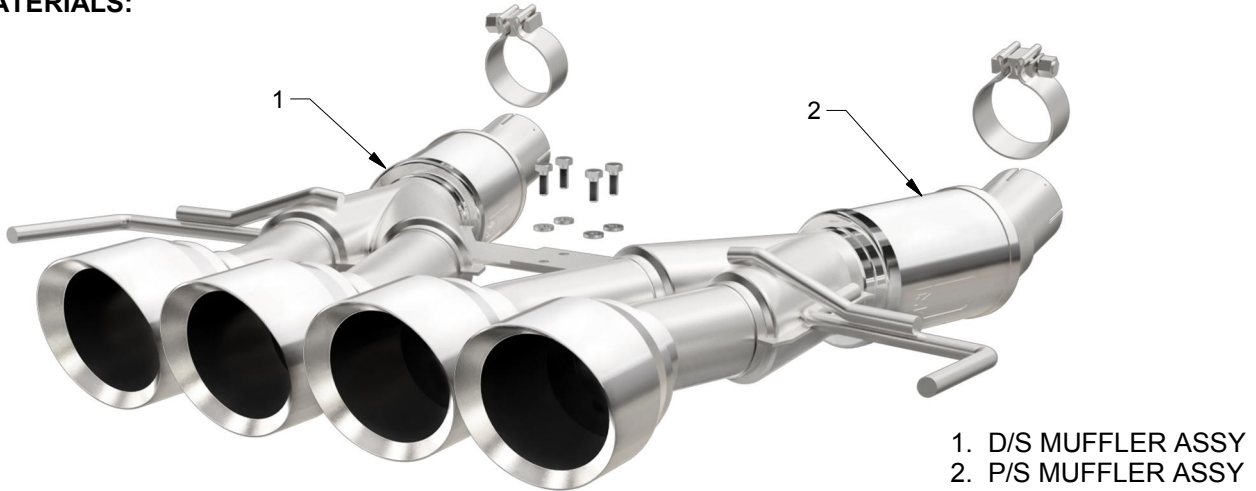


# INSTALLATION INSTRUCTIONS



2014-2015 CHEVROLET CORVETTE 6.2L | PART NO. 19171

## BILL OF MATERIALS:



- 1. D/S MUFFLER ASSY
- 2. P/S MUFFLER ASSY



WEAR SAFETY GLASSES



READ INSTRUCTIONS THOROUGHLY BEFORE INSTALLING PRODUCT



SPRAY LUBRICANT

## SHOP SUPPLIES:

To ease removal of existing exhaust components (especially on older vehicles) spray penetrating lubricant on all fasteners and hangers/insulators that will be loosened or removed and let soak before disassembly.

## HARDWARE KIT:

- 1. [2] 2.50" Clamp
- 2. [4] 1/4-20 Bolt
- 3. [4] 1/4-20 Nut
- 4. [4] 1/4-20 Lock Washer
- 5. [4] 1/4-20 Flat Washer

## MINIMUM REQUIRED TOOLS:



15mm  
13mm



Hanger Tool  
(Or Pry Bar)



Sawzall or similar cutting tool

## MAGNAFLOW RECOMMENDS PROFESSIONAL INSTALLATION ON ALL THEIR PRODUCTS



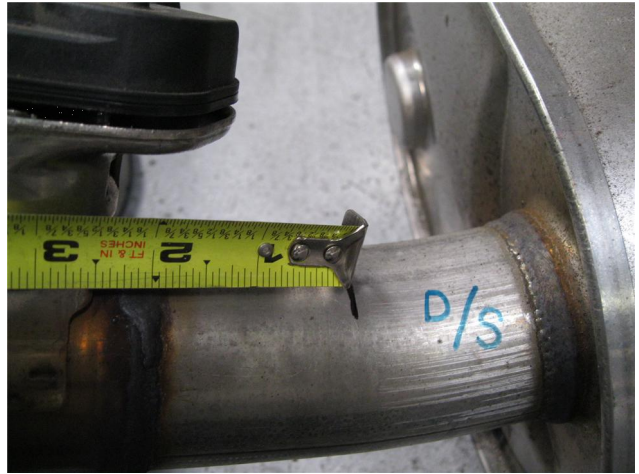
**WARNING:** When working on, under, or around any vehicle exercise caution. Please allow the vehicle's exhaust system to cool before removal, as exhaust system temperatures may cause severe burns. If working without a lift always consult vehicle manual for correct lifting specifications. Always wear safety glasses and ensure a safe work area. Serious injury or death could occur if safety measures are not followed.

**ATTENTION:** Always install any supplied band or U-bolt clamps to the proper torque specifications of 40-45 ft-lbs for band clamps and 30-35 ft-lbs for U-bolt clamps. Over tightening will result in the clamp breaking and will NOT be warranted by MagnaFlow.

## INSTALLATION INSTRUCTIONS



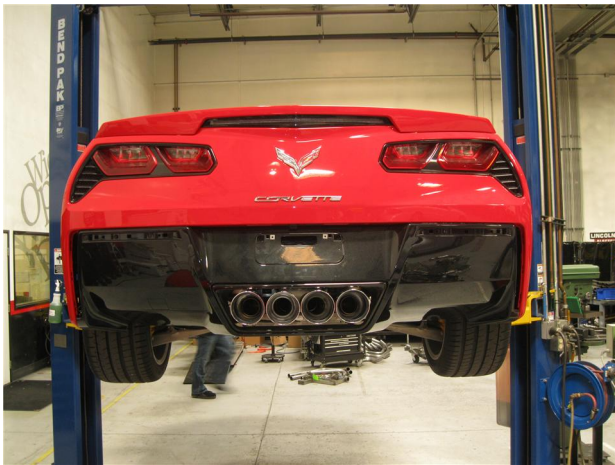
**Step 1.** To remove the OEM exhaust system you will first need to remove the rear valance. To do so you will need to remove The two 10mm bolts behind each reflector, the two 10mm bolts behind the license plate and two more 10mm bolts just underneath the license plate. Then you will need to remove the five 8mm bolts on both sides of the valance underside and remove it.



**Step 2.** Begin removing the OEM exhaust system by cutting both pipes going into the muffler assemblies. Measure and cut 2.0" driver side, 1.75" Passenger side, behind the exhaust valve welds as shown. Next extract the hangers from the rubber insulators and remove the OEM mufflers. Retain rubber insulators and as they will be used to install the new system.



**Step 3.** Begin installation of the new system by attaching the passenger side Muffler Assembly first using the supplied 2.50" clamp. This is important for connecting bracket orientation (driver side on bottom). Install the driver side Muffler Assembly with the supplied clamp and attach brackets using the supplied fasteners as shown. Keep clamps and fasteners loose until final positioning. Finish by installing rear valance



**Step 4.** Once a final position has been chosen for the new exhaust system, evenly tighten all clamps from front to rear using the torque specifications on page one of the instructions. Inspect all clamps and fasteners after 25-50 miles of operation and re-tighten if necessary.