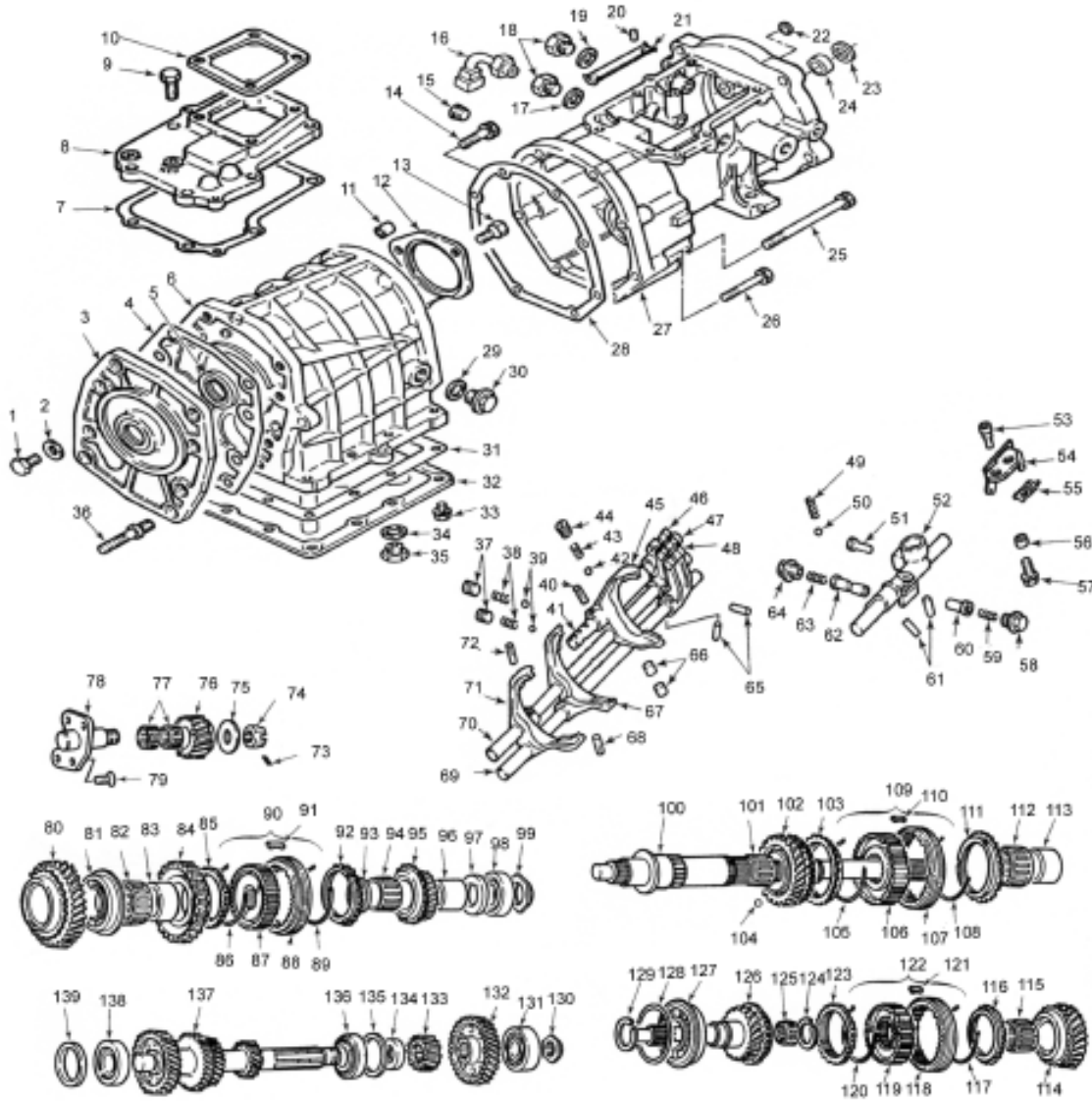


FM145
FM146
FM132

FM145 / FM146 / FM132 MITSUBISHI, FORD BRONCO II, RANGER 1986-92



Call Toll Free 1-800-934-2727
www.motivegear.com

Motive Gear is the Light Duty &
4x4 Division of Midwest Truck
And Auto Parts

Motive Gear®

ILL #	MIDWEST #	REF #	DESCRIPTION
1	E5TZ7A443G		BOLT - FRONT COVER
2	E5TZ7D448A		WASHER
3	E5TZ7050A		FRONT BEARING RETAINER - FM145
3	E8TZ7050A		FRONT BEARING RETAINER - FM146
3	E8TZ7050C		FRONT BEARING RETAINER, FM146
4	E5TZ7051A		BEARING RETAINER, FRONT GASKET 1985-92
5	1981	E5TZ7052A	SEAL, FRONT INPUT
5	11615	E5TZ7052D	SEAL, FRONT INPUT
6	E5TZ7005A		MAIN CASE FM145
6	E8TZ7005E		MAIN CASE FM146
7	E5TZ7185A		TOP COVER GASKET - 1986-87 BRONCO II, RANGER 1988-89 - E67A-FB
7	E8TZ7185A		TOP COVER GASKET - 1988-89 BRONCO II, RANGER - E87A-AEA, 1990 BRONCO II, 1990-92 RANGER 4 W/D

SOME OF THE PARTS LISTED IN THIS CATALOG ARE NOT MANUFACTURED BY THE ORIGINAL EQUIPMENT MANUFACTURER AND ANY REFERENCE TO TRADEMARKS ARE FOR CROSS REFERENCE PURPOSES ONLY. NO REPRESENTATION IS MADE WITH RESPECT TO THE SOURCE OF MANUFACTURE OF ANY PARTICULAR PART.

FM145 / FM146 / FM132 (Cont'd)

7	F0TZ7185A	TOP COVER GASKET - 1990 BRONCO II, 1990-91 RANGER 2 W/D
8	E5TZ7203A	TOP COVER - BRONCO II, RANGER FM145 - 357A-KB
8	E5TZ7203B	TOP COVER - FM146 - E57A-KC, E67A-FA, E67A-FB
8	E5TZ7118A	BEARING - MAIN SHAFT CENTER
8	E8TZ7203A	TOP COVER - E87A-AEA - 1990 BRONCO II 4 W/D, 1990-92 RANGER 4 W/D
8	F0TZ7203A	TOP COVER - 1990 BRONCO II, 1990-91 RANGER 2 W/D
9	E5TZ7A443E	TOP COVER BOLT
10	E8TZ7207A	GASKET - SHIFTER
11	E5TZ7D362A	BUSHING
12	E5TZ7085A	REAR BEARING RETAINER
12	F0TZ7085A	REAR BEARING RETAINER
13	E5TZ7C2104	BOLT - REAR BEARING RETAINER
14	E5TZ7A443A	BOLT EXTENSION HOUSING - SHORT
14	E5TZ7A443B	BOLT EXTENSION HOUSING - MEDIUM
14	E5TZ7A443C	BOLT EXTENSION HOUSING - LONG
15	353055S7	PLUG
16	E5TZ7G072A	SWITCH - NEUTRAL SAFETY
17	E5TZ7L101C	GASKET - NEUTRAL SAFETY SWITCH
18	E5TZ7306A	PLUG - SHIFT INDICATOR 9/16 X 18 THD
18	E5TZ7306B	PLUG - NEUTRAL SWITCH 5/8 X 18 THD
18	E5TZ7306C	PLUG - NEUTRAL SWITCH
19	E5TZ7B426A	GASKET - SHIFT INDICATOR SWITCH
21	E5TZ74174A	GUTTER
22	E8TZ7K381A	CUP PLUG
23	1987	E8TZ7052F REAR SEAL
24	E8TZ7B317A	SLEEVE - REAR SEAL
27	E5TZ7A039A	EXTENSION HOUSING 1986-89 BRONCO II, RANGER - E57A-KB
27	E8TZ7A039G	EXTENSION HOUSING 1986-89 BRONCO II, RANGER - E87A-AEA
27	E5TZ7A039J	EXTENSION HOUSING 1986-89 BRONCO II, RANGER - E57A-KC, E67A-FA, E67A-FB
27	E8TZ7A039M	EXTENSION HOUSING 1990 BRONCO II, RANGER 1990-92 4X4
27	F0TZ7A039C	EXTENSION HOUSING 1990 BRONCO II, RANGER 2 W/D
28	E5TZ7086A	EXTENSION HOUSING GASKET
28	E5TZ7B353A	EXTENSION HOUSING GASKET
29	E5TZ7L101A	GASKET - PLUG
30	E5TZ7A010A	FILL PLUG
31	E5TZ7166A	OIL PAN GASKET
32	E5TZ7165A	OIL PAN
32	F0TZ7165A	OIL PAN
33	E5TZ7A443D	BOLT - OIL PAN (12 REQ.)
34	E5TZ7L101A	GASKET - DRAIN PLUG
35	E5TZ7A010A	DRAIN PLUG
36	E5TZ7C207A	STUD - BELL HOUSING 43MM LONG
36	E8TZ7C207A	STUD - BELL HOUSING 55MM LONG
37		SEE ITEM #42
38		SEE ITEM #43
39		SEE ITEM #44
41	E5TZ7242A	SHIFT RAIL ASSY 5TH & REV. - 1986-87 BRONCO II, 1988-92 RANGER - 367A-FB
41	E8TZ7241C	SHIFT RAIL ASSY - 5/REV. 1988-92 - E87A-AEA
41	E8TZ7242C	SHIFT RAIL ASSY - 5/REV. FM 146
41	E9TZ7242A	SHIFT RAIL ASSY - 5/REV. FM 145
42/37	E5TZ7233A	PLUG - SHIFT PLUNGER
42/37	E8TZ7235C	PLUG - SHIFT PLUNGER
43/38	E5TZ7234A	POPPET SPRING - FM 145

SOME OF THE PARTS LISTED IN THIS CATALOG ARE NOT MANUFACTURED BY THE ORIGINAL EQUIPMENT MANUFACTURER AND ANY REFERENCE TO TRADEMARKS ARE FOR CROSS REFERENCE PURPOSES ONLY. NO REPRESENTATION IS MADE WITH RESPECT TO THE SOURCE OF MANUFACTURE OF ANY PARTICULAR PART.

FM145
FM146
FM132

FM145 / FM146 / FM132 (Cont'd)

ILL #	MIDWEST #	REF #	DESCRIPTION
43/38	E8TZ7234D		POPPET SPRING - FM 145
44/39	3530815		STEEL BALL - FM 145
44/39	3727205		STEEL BALL - FM 146
45	D50-31A	E5TZ7231A	SHIFT FORK 5/REV.
46	E8TZ7243G		SHIFT CONTROL SHAFT - 1986-89 BRONCO II AND RANGER - E87A-AEA - 1990 BRONCO II AND 1990-92 RANGER 4X4
46	F0TZ7243A		SHIFT CONTROL SHAFT - 1990 BRONCO II, 1990-91 RANGER, 2W/D
47	E5TZ7243B		SHIFT CONTROL SHAFT - 1986-89 BRONCO II AND RANGER - E57A-KC, E67A-FB, E67A-FA
48	E5TZ7243A		SHIFT CONTROL SHAFT - 1988-89 BRONCO II AND RANGER - E57A-KB
53	E5TZ7034B		VENT FM 145
53	E8TZ7034A		VENT FM 146
54			
55	E5TZ7219A		SPRING
56	E5TZ70362A		BUSHING
58/64	E5TZ7032A		PLUG - SHIFT PLUG
59/63	E5TZ7B192A		SPRING - NEUTRAL RETURN
60	E5TZ7L003A		PLUNGER - NEUTRAL RETURN
61/65	E5TZ7B096A		PIN - SHIFT CONTROL LOCK (2 REQ)
62	E5TZ7K132A		PLUNGER - SHIFT INTERLOCK
67	E5TZ7230A		SHIFT FORK 1-2, 1986-87 BRONCO II, 1988-92 RANGER - E67A-FB
67	E8TZ7230C		SHIFT FORK 1-2, 1988-92 - E87A-AEA
68/40	99222-0525		PIN
69	E5TZ7240A		SHIFT RAIL 1-2, 1986-87 BRONCO II, 1988-92 RANGER - E67A-FB
69	E8TZ7240D		SHIFT RAIL 1-2 FM 146
70	E5TZ7241A		SHIFT RAIL 3-4 FM 145
70	E8TZ7241C		SHIFT RAIL 3-4 FM 146
71	D50-89A	E5TZ7289A	SHIFT FORK 3-4, 1986-92 - ALL
74	N801825-5100		NUT - REV. IDLER SHAFT
75	E5TZ7N037A		WASHER - NEW IDLER
76	E5TZ7141A		REV. IDLER GEAR - 17T
77	E5TZ7E139A		NEEDLE BEARING - REV. IDLER (2 REQ.)
79	E5TZ7C210A		BOLT - REV. IDLER SHAFT
80	F0TZ7100B		1ST GEAR MAIN SHAFT - 35T - 42 SPL.
82	E5TZ7127A		BEARING - MAIN SHAFT REV. GEAR
83	E5TZ7173D		SLEEVE - REV. GEAR BEARING (EXC. BELOW)
83	E5TZ7173A		SLEEVE - REV. GEAR BEARING - E57A-KB
84	E5TZ7142C		REV. GEAR M/S FM 145, 34T - 36 SPL.
84	E8TZ7142D		REV. GEAR M/S FM 146
85	MIT-14A		REV. RING
86	E5TZ7109C		SYNCHRO SPRING 1-2 (2 REQ.)
90	MIT-15	E8TZ7124G	SYNCHRO ASSY 5-REV., 36T - 29 SPL.
91	E5TZ7A044A		SYNCHRO KEY 5-REV. - FM 146 (3 REQ)
91	E5TZ7A044B		SYNCHRO KEY 5-REV. (3 REQ.)
92	MIT-14A	E5TZ7107A	SYNCHRO RING 5-REV. - FM 145 - 5-REV. 36T - 1/2" KEY WIDTH
92	MIT-14H	E8TZ7107H	SYNCHRO RING REVERSE - FM 146
93	E5TZ7071A		SPACER - NEEDLE BEARING
94	MW990006	E5TZ7121A	NEEDLE BEARING - M/S 5TH (REPAIR BRG KIT W/ SLEEVE)
95	MIT-5	F2TZ7C391A	5TH GEAR SET - UPDATED (INCLUDE #132)
96	E5TZ7173C		SLEEVE - M/S 5TH BEARING
97	E5TZ7119A		SPACER - M/S 5TH BEARING

SOME OF THE PARTS LISTED IN THIS CATALOG ARE NOT MANUFACTURED BY THE ORIGINAL EQUIPMENT MANUFACTURER AND ANY REFERENCE TO TRADEMARKS ARE FOR CROSS REFERENCE PURPOSES ONLY. NO REPRESENTATION IS MADE WITH RESPECT TO THE SOURCE OF MANUFACTURE OF ANY PARTICULAR PART.

Call Toll Free 1-800-934-2727
www.motivegear.com

Motive Gear is the Light Duty & 4x4 Division of Midwest Truck And Auto Parts

Motive Gear®

FM145 / FM146 / FM132 (Cont'd)

ILL #	MIDWEST #	REF #	DESCRIPTION
98	206L	E5TZ7R205A	BEARING - REAR MAIN SHAFT
99	D50-148	E5TZ7045A	MAIN SHAFT NUT
100	E5TZ7061B		MAIN SHAFT - FM 145 - 17-7/8" O.A., 25 SPL.
100	E8TZ7061G		MAIN SHAFT - FM 146 - 2 W/D - 20.5" O.A., 25 SPL.
100	F0TZ7061C		MAIN SHAFT - FM 146 - 4 W/D - 1990-92
101	E5TZ7133A		NEEDLE BEARING - 2ND GEAR
102	E5TZ7102A		2ND GEAR FM 145 - 29T
102	E8TZ7102C		2ND GEAR FM 146 - 30T
103/111	MIT-14B	E5TZ7107B	SYNCHRO RING 2ND GEAR - 42T - 1/2" KEY WIDTH
103/111	MIT-14C	E5TZ7107C	SYNCHRO RING 1ST GEAR - 42T - 15/16" KEY WIDTH
105/108	E5TZ7109C		SYNCHRO SPRING 1-2 - FM 145
105/108	E8TZ7109C		SYNCHRO SPRING 1-2 - FM 146
109	E5TZ7124A		SYNCHRO ASSY 1-2, 42T - 40 SPL.
110	E5TZ7A044C		SYNCHRO KEY 1-2 FM 145 (3 REQ.)
110	E8TZ7A044B		SYNCHRO KEY 1-2 FM 146 (3 REQ.)
111			SEE ITEM #103
112	E5TZ7133A		NEEDLE BEARING - 1ST GEAR
113	E5TZ7173B		SLEEVE - 1ST GEAR BEARING
114	MIT-11	E5TZ7101A	3RD GEAR FM 145 - 24T
114	E8TZ7101C		3RD GEAR FM 146 - L26-536
115	E5TZ7121A		NEEDLE BEARING - 3RD GEAR FM 145
115	E8TZ7121C		NEEDLE BEARING - 3RD GEAR FM 146
116			SEE ITEM #123
117/120	E5TZ7109A		SYNCHRO SPRING 3-4 (2 REQ.)
121	E5TZ7A044A		SYNCHRO KEY 3-4 (3 REQ.)
122	E5TZ7124B		SYNCHRO ASSY 3-4, 36T - 32 SPL.
123/116	MIT-14A	E5TZ7107A	SYNCHRO RING 3-4
124	E5TZ7N252A		SNAP RING - 2.15 mm THICK, SELECTIVE
125	KMJ20X28X19-8	E8TZ7120D	BEARING - INPUT POCKET
126	MIT-16D	E8TZ7017D	INPUT - FM 146 - 20T
126	MITF-16F	E5TZ7017A	INPUT - FM 145 - 19T
127	TMSCO788NRCS40	E5TZ7025A	BEARING - INPUT SHAFT
128	E5TZ7029A		SNAP RING - .84 mm THICK
129	E5TZ7030A		SNAP RING
130	E5TZ7N170A	D50-156	NUT - COUNTERSHAFT REAR
131	63122XN	35TZ7D283A	REAR CLUSTER BEARING
132	MIT-5	F2TZ7C391A	5TH GEAR SET - UPDATED (INCLUDES #95)
133	E5TZ7N040A		REVERSE GEAR - COUNTERSHAFT
134	E9TZ7115B		SPACER - COUNTERSHAFT REVERSE
135	E5TZ7N112A		SHIM - 1.84 mm THICK
136	4T-30205	E5TZ7065A	BEARING - COUNTERSHAFT CENTER
137	MIT-8	E5TZ7113A	CLUSTER GEAR 28-26-20-13 FM 145
137	MIT-8A	E8TZ7113C	CLUSTER GEAR 28-24-19-13 FM 146
138	4T-30205	E5TZ7065A	BEARING - COUNTERSHAFT FRONT
139	E5TZ7052A		SPACER - COUNTERSHAFT FRONT

Motive Gear®

Motive Gear is the Light Duty & 4x4 Division of Midwest Truck And Auto Parts

Call Toll Free 1-800-934-2727
www.motivegear.com

FM145
FM146
FM132

SOME OF THE PARTS LISTED IN THIS CATALOG ARE NOT MANUFACTURED BY THE ORIGINAL EQUIPMENT MANUFACTURER AND ANY REFERENCE TO TRADEMARKS ARE FOR CROSS REFERENCE PURPOSES ONLY. NO REPRESENTATION IS MADE WITH RESPECT TO THE SOURCE OF MANUFACTURE OF ANY PARTICULAR PART.

FM145
FM146
FM132

FM145 / FM146 / FM132 (Cont'd)

KITS

T50R	BEARING, SEAL & GASKET KIT - FM145 / FM146
T50RMK	BEARING, SEAL & GASKET MASTER KIT WITH RINGS - FM145
T50RAMK	BEARING, SEAL & GASKET MASTER KIT - FM146
T50RB	BEARING, SEAL & GASKET KIT - FM132
T50RBMK	BEARING, SEAL & GASKET MASTER KIT W/ RINGS - FM132
MIT-55	GASKET KIT
RK50	SYNCHRO RING KIT FM145
RK50A	SYNCHRO RING KIT FM146
K50	GASKET & SEAL KIT

Motive
Gear®



**We have
all the
transfer
case
chains
you need**

SOME OF THE PARTS LISTED IN THIS CATALOG ARE NOT MANUFACTURED BY THE ORIGINAL EQUIPMENT MANUFACTURER AND ANY REFERENCE TO TRADEMARKS ARE FOR CROSS REFERENCE PURPOSES ONLY. NO REPRESENTATION IS MADE WITH RESPECT TO THE SOURCE OF MANUFACTURE OF ANY PARTICULAR PART.

Call Toll Free 1-800-934-2727
www.motivegear.com

Motive Gear is the Light Duty &
4x4 Division of Midwest Truck
And Auto Parts

Motive Gear®