

INSTALLATION INSTRUCTIONS

Mallory Fuel Replacement Brush Kit PN 3146A

COMP PUMP® Series 60FI, 110, 110M, 140 and 140M with Internally Serviced Brushes

Step 1

Remove the pump from the vehicle and clean pump exterior. Place the pump on its side on a clean work surface. Scribe or draw a line across the pump motor housing, gerotor housing, port plate and fuel chamber so that you can reassemble the pump correctly (See Figure 1).

Step 2

Remove the fuel chamber screws from the bottom of the pump, then remove the fuel chamber and port plate from the pump.

NOTE: Do not drop the gerotor from the gerotor housing cavity (See Figure 2).

Step 3

Place your hand beneath the gerotor and hold the pump in an upright position. The gerotor should slide out of the gerotor housing and into your hand (See Figure 3).

Step 4

Remove the motor screws from the top of the pump. Remove the motor from the gerotor housing. (See Figure 4). Push the armature into the motor housing about 1-1/4" and slide the grommet out of its slot. Pull endcap off the commutator (See Figure 5).

Step 5

From the center of the end cap, push the brushes back into the brush holders (See Figure 6), until the brush spring fingers are resting against the sides of the brushes (See Figure 7). Pull brushes out of the brush holders. The brush spring fingers will "snap" back into the brush holders. Disconnect the brush leads from the endcap.

Step 6

Connect the new brush leads to the end cap. Using a small screwdriver, paper clip, or similar device, pull the brush spring fingers back and insert the new brushes into the brush holders. Release the brush springs. From the center of the end cap, push the new brushes back into the brush holders (See Figure 6) until brush spring fingers are resting against the sides of the brushes (See Figure 7).

Step 7

Slide the grommet into its slot. Push the armature into the motor housing about 1" and hold it there. Place the end cap on the commutator. Push the brushes into the brush holders. The brush spring fingers will "snap" into place. Hold the end cap firmly on the commutator. Slowly lower the end cap and commutator into the motor housing until the end cap is fully seated (See Figure 5).

Step 8

Place the motor housing on the gerotor housing. Make sure the line across the pump (as described in STEP 1 and Figure 1) align. Install the motor screws and torque to 24 in-lbs.

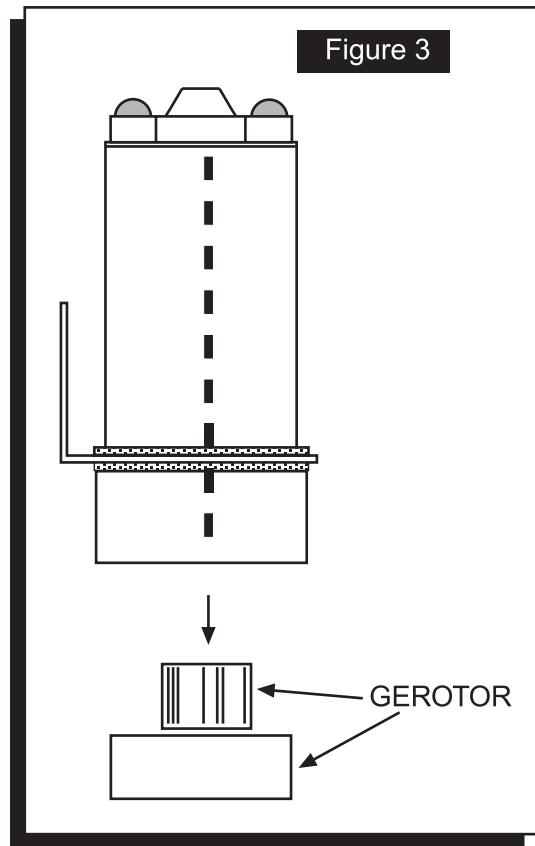
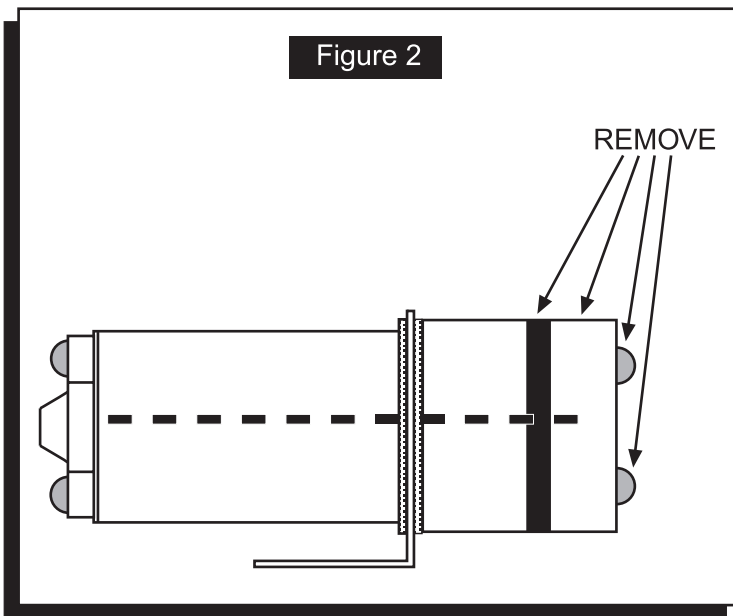
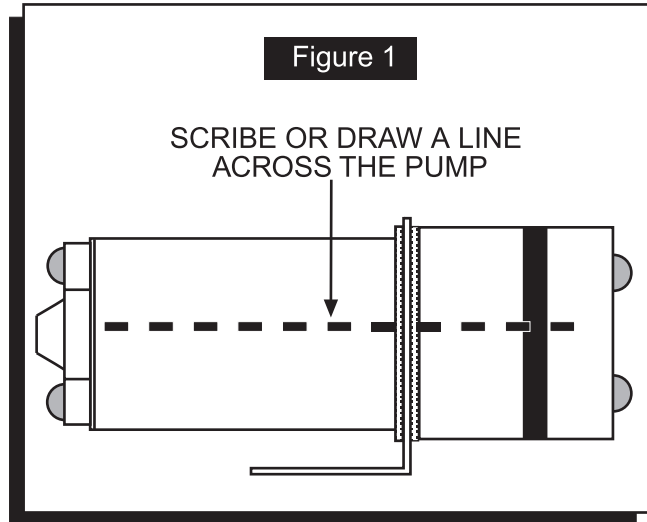
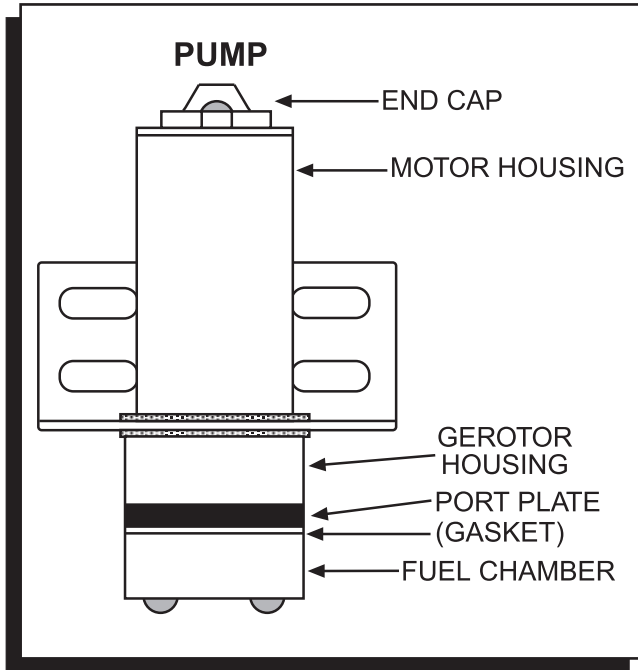
Step 9

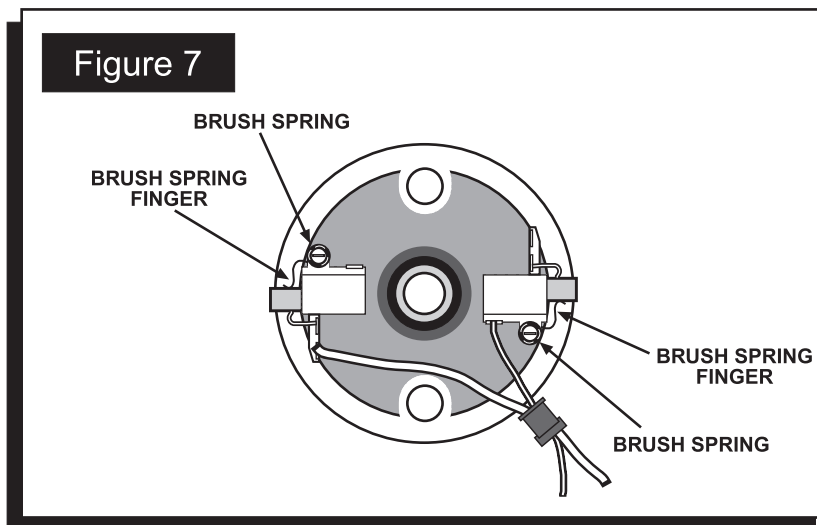
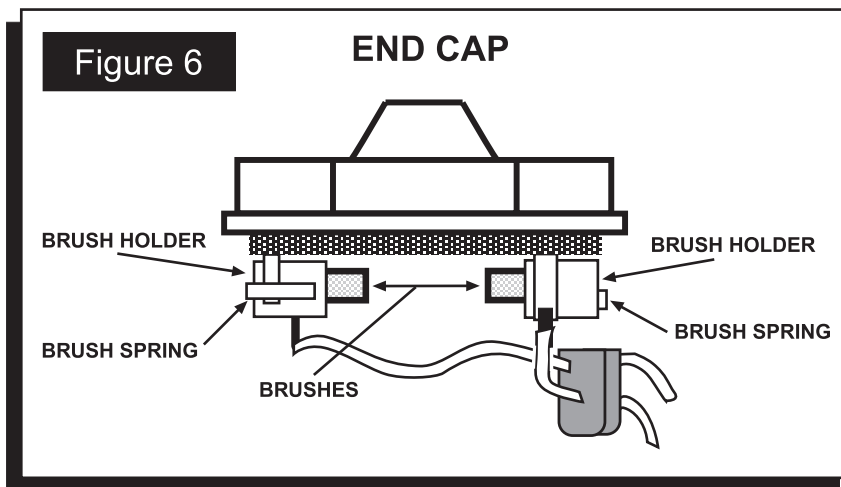
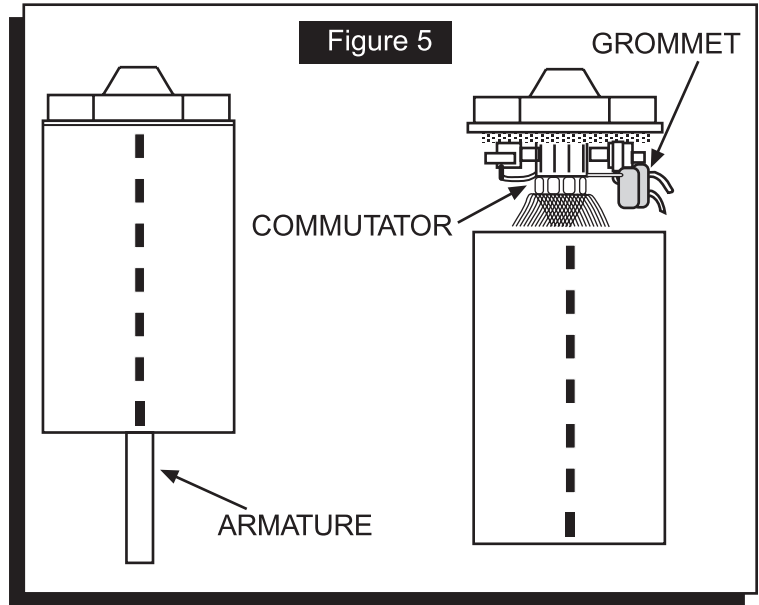
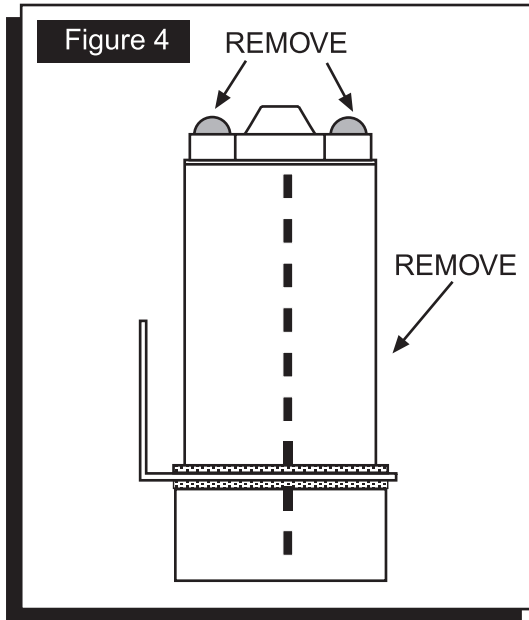
Clean the gerotor cavity. Install the gerotor in the gerotor housing. Inspect theo-ring and gasket and replace if necessary. Install the port plate, gasket and fuel chamber with screws.

Make sure the line across the pump (as described in STEP 1 and Figure 1) align. Install the fuel chamber screws and torque to 24 in-lbs.

Step 10

Install the pump on the vehicle.







INSTALLATION INSTRUCTIONS

TECH NOTES

Service

In case of malfunction, this MSD component will be repaired free of charge according to the terms of the warranty. When returning MSD components for warranty service, **Proof of Purchase** must be supplied for verification. After the warranty period has expired, repair service is based on a minimum and maximum fee.

All returns must have a Return Material Authorization (RMA) number issued to them before being returned. To obtain an RMA number please contact MSD Customer Service at 1 (888) MSD-7859 or visit our website at www.msdpower.com/rma to automatically obtain a number and shipping information.

When returning the unit for repair, leave all wires at the length in which you have them installed. Be sure to include a detailed account of any problems experienced, and what components and accessories are installed on the vehicle. The repaired unit will be returned as soon as possible using Ground shipping methods (ground shipping is covered by warranty). For more information, call MSD at (915) 855-7123. MSD technicians are available from 7:00 a.m. to 5:00 p.m. Monday - Friday (mountain time).

Limited Warranty

MSD warrants this product to be free from defects in material and workmanship under its intended normal use*, when properly installed and purchased from an authorized MSD dealer, for a period of one year from the date of the original purchase. This warranty is void for any products purchased through auction websites. If found to be defective as mentioned above, it will be repaired or replaced at the option of MSD. Any item that is covered under this warranty will be returned free of charge using Ground shipping methods.

This shall constitute the sole remedy of the purchaser and the sole liability of MSD. To the extent permitted by law, the foregoing is exclusive and in lieu of all other warranties or representation whether expressed or implied, including any implied warranty of merchantability or fitness. In no event shall MSD or its suppliers be liable for special or consequential damages.

*Intended normal use means that this item is being used as was originally intended and for the original application as sold by MSD. Any modifications to this item or if it is used on an application other than what MSD markets the product, the warranty will be void. It is the sole responsibility of the customer to determine that this item will work for the application they are intending. MSD will accept no liability for custom applications.