

MSD IGNITION™ INSTALLATION INSTRUCTIONS

MSD 6M-2/MSD OFF-ROAD IGNITION TO GM DUAL CONNECTOR COIL HARNESS PN 64602

Parts Included:

1 - Harness

1 - Instruction Manual

WARNING: During installation, disconnect the battery cables. When disconnecting, always remove the negative cable first and install it last.

This harness is designed to provide a splice free and simple installation of an MSD 6M-2 Marine Ignition Control, PN 6460, or MSD 6-Offroad Ignition, PN 6470 to engines equipped with GM's dual Connector Coil (Figure 1).

Note: In some cases, an MSD Tach/Fuel Adapter may be required for correct tachometer and fuel injection operation, there is also a connector for the Adapter, PN 8910.

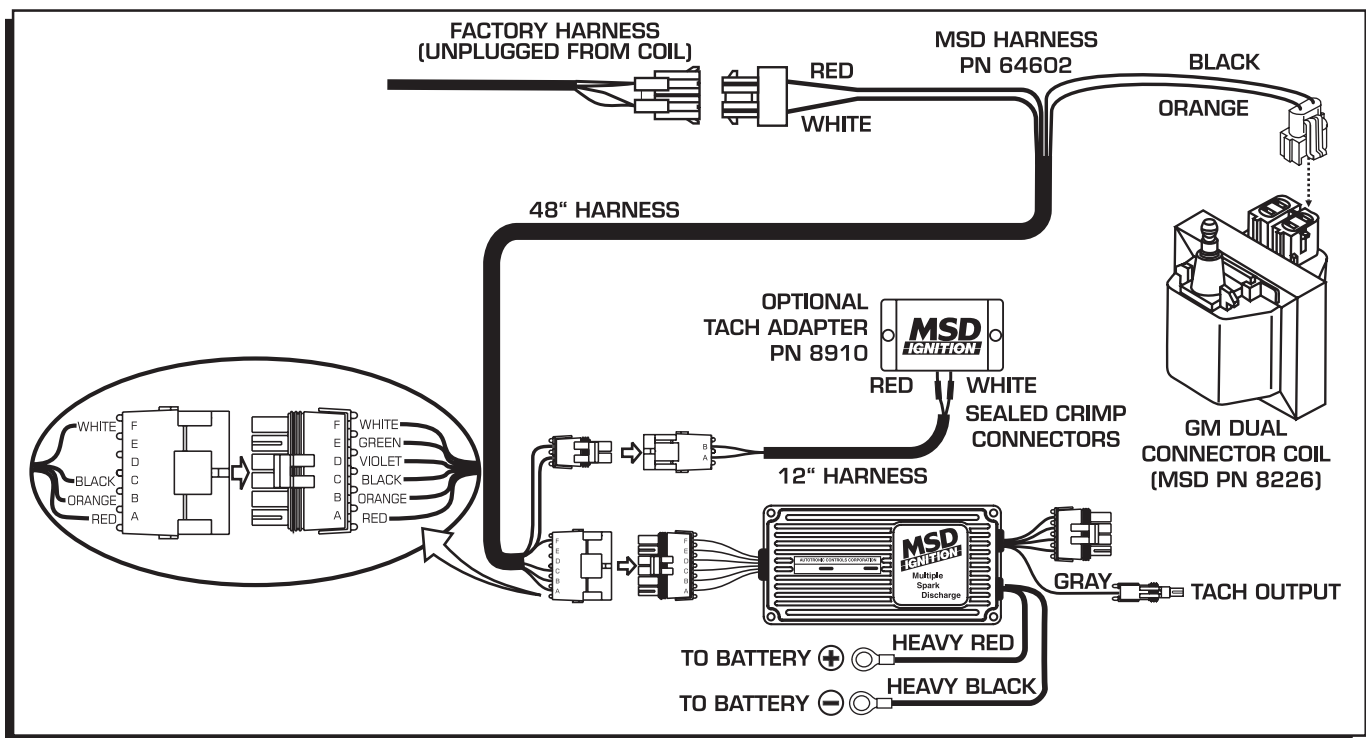


Figure 1

All of the connectors plug directly into the corresponding connectors on the ignition and coil (Figure 1).

1. Disconnect the Gray connector followed by the Black connector from the coil.
2. Connect the Black then the Gray connector to the MSD PN 64602 Harness.
3. Connect the other end of the harness to the coil. Note: the connector will only fit on one side of the coil. Only two wires go to the coil with an MSD Ignition Control installed.
4. Connect the 6-Pin Weathertight connector to the MSD Control.
5. If your application requires an MSD Tach/Fuel Adapter, Connect the remaining 2 Black wires to the MSD Adapter.



INSTALLATION INSTRUCTIONS

Tech Notes

Service

In case of malfunction, this MSD component will be repaired free of charge according to the terms of the warranty. When returning MSD components for service, Proof of Purchase must be supplied for warranty verification. After the warranty period has expired, repair service is charged based on a minimum and maximum charge.

Send the unit prepaid with proof of purchase to the attention of: **Customer Service Department, Autotronic Controls Corporation, 12120 Esther Lama, Suite 114, El Paso, Texas 79936.**

When returning the unit for repair, leave all wires at the length in which you have them installed. Be sure to include a detailed account of any problems experienced, and what components and accessories are installed on the vehicle.

The repaired unit will be returned as soon as possible after receipt, COD for any charges. (Ground shipping is covered by warranty). All units are returned regular UPS unless otherwise noted. For more information, call the MSD Customer Service Line (915) 855-7123. MSD technicians are available from 8:00 a.m. to 5:00 p.m. Monday - Friday (Mountain Time).

Limited Warranty

Autotronic Controls Corporation warrants MSD Ignition products to be free from defects in material and workmanship under normal use and if properly installed for a period of one year from date of purchase. If found to be defective as mentioned above, it will be replaced or repaired if returned prepaid along with proof of date of purchase. This shall constitute the sole remedy of the purchaser and the sole liability of Autotronic Controls Corporation. To the extent permitted by law, the foregoing is exclusive and in lieu of all other warranties or representations whether expressed or implied, including any implied warranty of merchantability or fitness. In no event shall Autotronic Controls Corporation be liable for special or consequential damages.