

# MSD IGNITION INSTALLATION INSTRUCTIONS

## MSD Rotor, PN 84211 Adjustable Two Piece Rotor (For use in place of PN 8467 Rotor)

### Parts Included:

1 - Rotor Base	2 - 5/8" Phillips Head Screws	1 - 5/16" Phillips Head Screw
1 - Rotor Top Assembly	2 - 3/4" Phillips Head Screws	
1 - Rotor Phasing Tech Brief	3 - Belleville Washers	

**WARNING:** Disconnect the battery during installation. When disconnecting the battery, always remove the negative cable first and install it last.

The Adjustable Rotor is for use with MSD Distributors using the PN 8437, PN 8433, PN 8431, PN 84333 or PN 84313 Caps. The two piece Rotor provides up to 20° of adjustment to achieve proper rotor phasing.

### IDENTIFY ROTOR SCREWS

There are two different length screws supplied with this rotor. It is important to determine which screws are correct for your application due to clearance of the magnetic pickup. There are two styles used; one is a threaded base with or without a Screw Retainer, the other is a Retainer with a Nut. The Retainer accepts the shorter 5/8" screw while the Nut version accepts the 3/4" screw (Figure 1).

**Note:** It is recommended to install the rotor and check the clearance before reassembling the distributor.

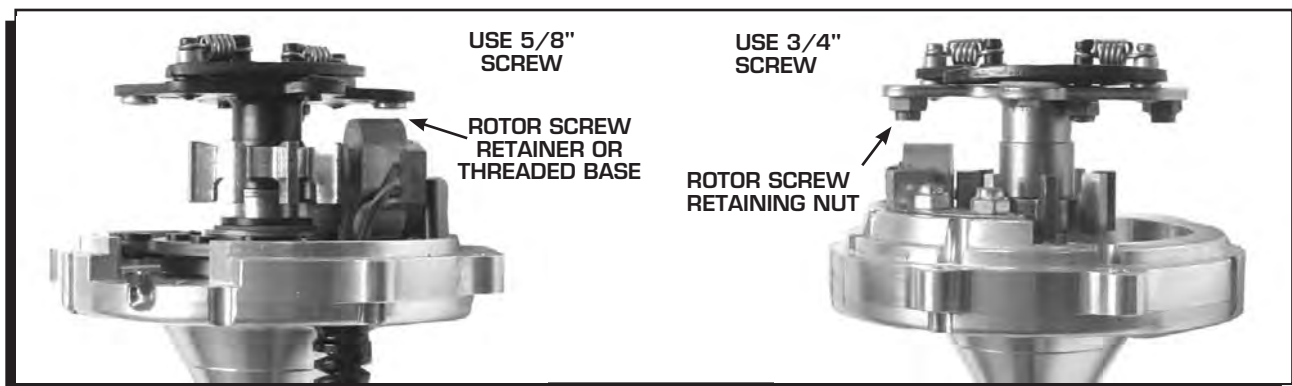


Figure 1 Determining Rotor Screw Length.

### INSTALLATION

Once the rotor screw length is determined, install the rotor base being sure the round and square aligning pegs are lined up correctly. Install the Belleville washers with the **dome facing up** on the screws and tighten the rotor (Figure 2).

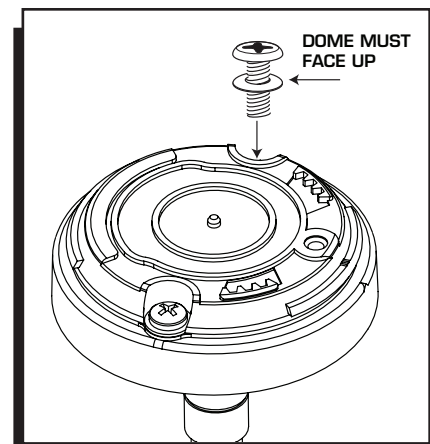


Figure 2 Washer Installation.

Install the top of the rotor by aligning the tabs and rotating the top into position (Figure 3). Use the 5/16" screw with washer to hold in position. It is recommended to position the rotor in the middle position and adjust from this point.

### ADJUSTMENTS

The PN 84211 Rotor provides 20° of adjustment (at the crank). Adjustments are easy by loosening the rotor screw and using a flatblade screwdriver to clock to rotor top. See the supplied tech brief for details on setting rotor phasing.

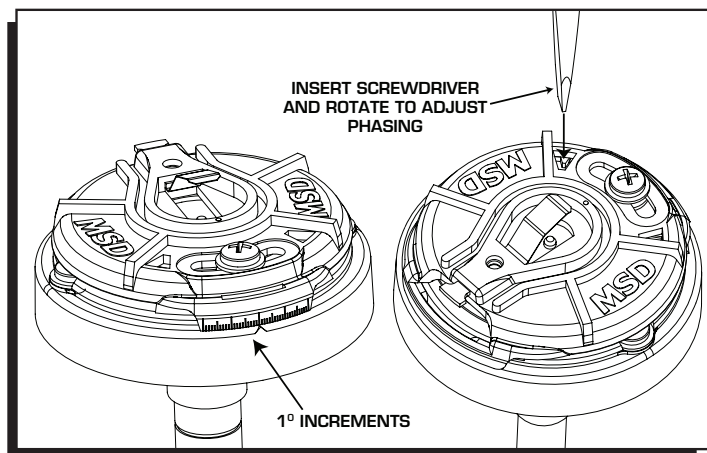


Figure 4 Adjusting the Rotor.

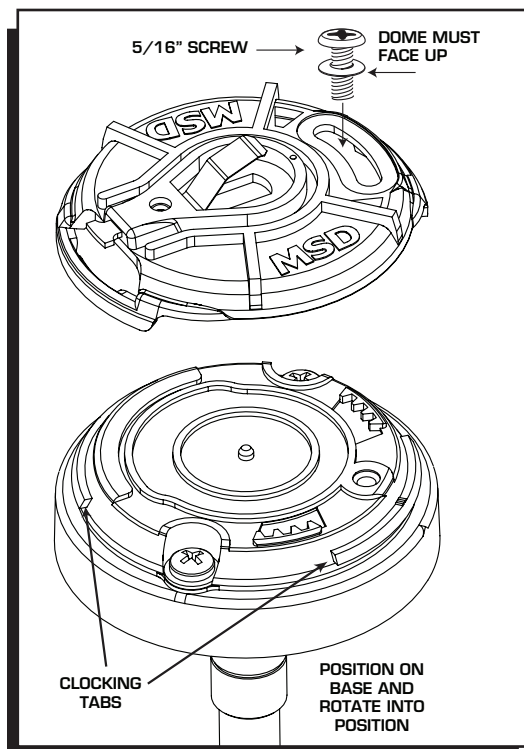


Figure 3 Top Rotor.

### Service

In case of malfunction, this MSD component will be repaired free of charge according to the terms of the warranty. When returning MSD components for warranty service, **Proof of Purchase** must be supplied for verification. After the warranty period has expired, repair service is based on a minimum and maximum fee.

**All returns must have a Return Material Authorization (RMA) number** issued to them before being returned. To obtain an RMA number please contact MSD Customer Service at 1 (888) MSD-7859 or visit our website at [www.msdisignition.com/rma](http://www.msdisignition.com/rma) to automatically obtain a number and shipping information.

When returning the unit for repair, leave all wires at the length in which you have them installed. Be sure to include a detailed account of any problems experienced, and what components and accessories are installed on the vehicle. The repaired unit will be returned as soon as possible using Ground shipping methods (ground shipping is covered by warranty). For more information, call MSD Ignition at (915) 855-7123. MSD technicians are available from 7:00 a.m. to 6:00 p.m. Monday - Friday (mountain time).

### Limited Warranty

MSD IGNITION warrants this product to be free from defects in material and workmanship under its intended normal use\*, when properly installed and purchased from an authorized MSD dealer, for a period of one year from the date of the original purchase. This warranty is void for any products purchased through auction websites. If found to be defective as mentioned above, it will be repaired or replaced at the option of MSD Ignition. Any item that is covered under this warranty will be returned free of charge using Ground shipping methods.

This shall constitute the sole remedy of the purchaser and the sole liability of MSD Ignition. To the extent permitted by law, the foregoing is exclusive and in lieu of all other warranties or representation whether expressed or implied, including any implied warranty of merchantability or fitness. In no event shall MSD Ignition or its suppliers be liable for special or consequential damages.

\*Intended normal use means that this item is being used as was originally intended and for the original application as sold by MSD Ignition. Any modifications to this item or if it is used on an application other than what MSD Ignition markets the product, the warranty will be void. It is the sole responsibility of the customer to determine that this item will work for the application they are intending. MSD Ignition will accept no liability for custom applications.