

MSD[®] IGNITION INSTALLATION INSTRUCTIONS

MSD Soft Touch Rev Control PN 8738

Note: This Rev Control **must** be used with the MSD 6T, 6TN or 6-HVC Ignition Control.

Parts Included:

1 - Rev Control	4 - RPM Modules, 3,000, 6,000, 7,000, 8,000 rpm
4 - Mounting Screws	4 - Heat-Shrink Sleeves

PROGRAMMING FOR 4, 6 OR 8-CYLINDER ENGINES

The Rev Control will operate with 4, 6 or 8-cylinder engines. It is programmed at the factory for 8-cylinder engines, but can be easily modified. To program the Control, remove the phillip screws and round cover on the side of control and modify the wire loops as shown in Figure 1.

After cutting the Loop(s), seal the ends with the supplied Heat Shrink Caps. Install them over the bare wire ends and apply a small amount of heat so the connector will shrink and seal the wire ends. This will prevent the wires from shorting together and seal them from water.

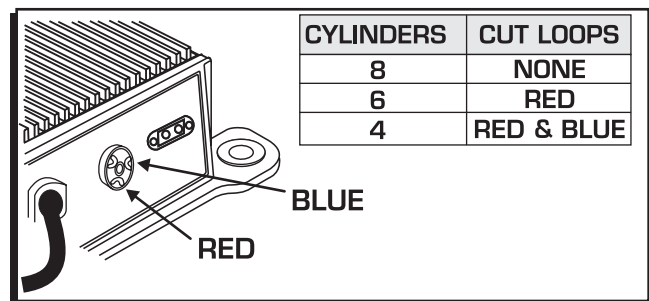


Figure 1 Cylinder Programming Loops.

MOUNTING

Make sure the Harness of the Rev limiter reaches the harness of the GM Heavy Duty Ignition Control. Install the mounting pads and sleeves as shown in Figure 2. The tapered side of the sleeve should face down.

The Control can be mounted in the engine compartment as long as it is away from direct engine heat sources. Use the Control as a template and mark the mounting holes. Drill the holes with an 1/8" bit and install the supplied screws.

After installing and programming the Control, connect the 4-pin connector to the Ignition's matching connector.

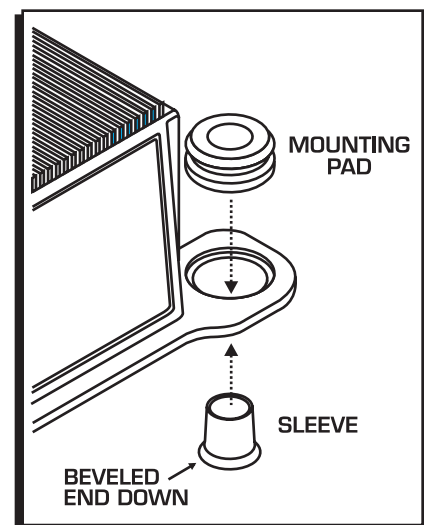


Figure 2 Mounting Pads.

SETTING A LIMIT

Plug your desired RPM Module into the module receptacle. If an RPM Module is not installed, the engine will run but there will not be a limit.

MSD IGNITION™ INSTALLATION INSTRUCTIONS

RPM Module Kits are supplied with five modules in a 1,000 rpm range in 200 rpm increments. There are even number sets and odd number sets available. Example: PN 8745 includes 5,000, 5,200, 5,400, 5,600, 5,800 modules.

Kit	Even Set	Odd Set
3,000 Kit	PN 8743	87431
4,000 Kit	PN 8744	87441
5,000 Kit	PN 8745	87451
6,000 Kit	PN 8746	87461
7,000 Kit	PN 8747	87471
8,000 Kit	PN 8748	87481
9,000 Kit	PN 8749	87491
10,000 Kit	PN 8750	87501
11,000 Kit	PN 8751	87511
12,000 Kit	PN 8752	87521

Module Selectors: These Selectors offer 12 different rpm limits at the turn of a knob. **Note:** Even rpm in 200 rpm increments only.

For rpm settings below 3000 rpm, MSD offers an adjustable Module, PN 8677.

RPM	PART NUMBER
3,000 - 5,200	PN 8670
4,600 - 6,800	PN 8671
6,000 - 8,200	PN 8672
7,600 - 9,800	PN 8673
9,000 - 11,200	PN 8674
10,600 - 12,800	PN 8675

Service

In case of malfunction, this MSD component will be repaired free of charge according to the terms of the warranty. When returning MSD components for warranty service, **Proof of Purchase** must be supplied for verification. After the warranty period has expired, repair service is based on a minimum and maximum fee.

All returns must have a Return Material Authorization (RMA) number issued to them before being returned. To obtain an RMA number please contact MSD Customer Service at 1 (888) MSD-7859 or visit our website at www.msdisignition.com/rma to automatically obtain a number and shipping information.

When returning the unit for repair, leave all wires at the length in which you have them installed. Be sure to include a detailed account of any problems experienced, and what components and accessories are installed on the vehicle. The repaired unit will be returned as soon as possible using Ground shipping methods (ground shipping is covered by warranty). For more information, call MSD Ignition at (915) 855-7123. MSD technicians are available from 7:00 a.m. to 6:00 p.m. Monday - Friday (mountain time).

Limited Warranty

MSD IGNITION warrants this product to be free from defects in material and workmanship under its intended normal use*, when properly installed and purchased from an authorized MSD dealer, for a period of one year from the date of the original purchase. This warranty is void for any products purchased through auction websites. If found to be defective as mentioned above, it will be repaired or replaced at the option of MSD Ignition. Any item that is covered under this warranty will be returned free of charge using Ground shipping methods.

This shall constitute the sole remedy of the purchaser and the sole liability of MSD Ignition. To the extent permitted by law, the foregoing is exclusive and in lieu of all other warranties or representation whether expressed or implied, including any implied warranty of merchantability or fitness. In no event shall MSD Ignition or its suppliers be liable for special or consequential damages.

*Intended normal use means that this item is being used as was originally intended and for the original application as sold by MSD Ignition. Any modifications to this item or if it is used on an application other than what MSD Ignition markets the product, the warranty will be void. It is the sole responsibility of the customer to determine that this item will work for the application they are intending. MSD Ignition will accept no liability for custom applications.