

MSD **IGNITION** **INSTALLATION INSTRUCTIONS**

Adapter Kit, COP Ford Modular for PN 6011 PN 88814

Parts Included:

1 - Cam Sensor Harness
1 - Crank Sensor Harness

7 - Tach Adapters w/single pigtail
1 - Tach Adapter w/two pigtail

WARNING: During installation, disconnect the battery cables. When disconnecting, always remove the Negative cable first and install it last.

This Harness Kit allows the installation of the MSD 6-MOD Ignition Controller on Ford Modular engine vehicles equipped with factory EFI systems. The harness connects inline to factory sensors and provides the 12 volt power source and OEM timing to the controller.

1. COIL CONNECTIONS

Disconnect the factory connectors from all eight coils.

Connect the Tach Adapter with the two pigtails to Coil 1 and the MSD 6-MOD This Adapter must be connected to number one coil.

Connect the remaining seven adapters to the seven remaining coils. The adapters with single pigtails are interchangeable.

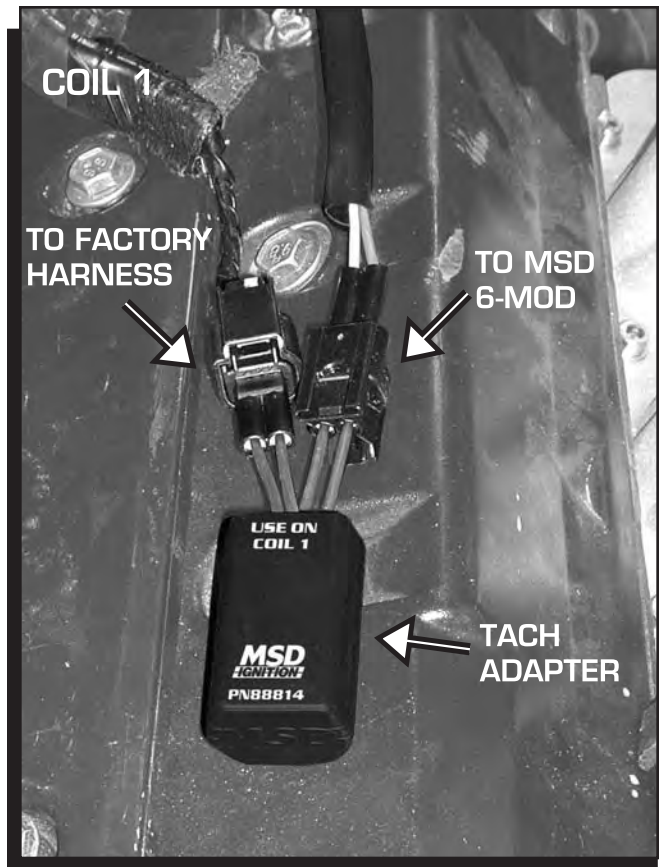


Figure 1 Coil 1 Tach Adapter.

2. CAMSHAFT SENSOR

On engines equipped with a single Camshaft Sensor, the Sensor will be located at the front of the block on the driver's side.

On engines equipped with dual Camshaft Sensors, use the Sensor located at the front of the block on the passenger's side.

Disconnect the factory sensor harness and install the MSD Brown/Tan harness inline, as shown in Figure 2.

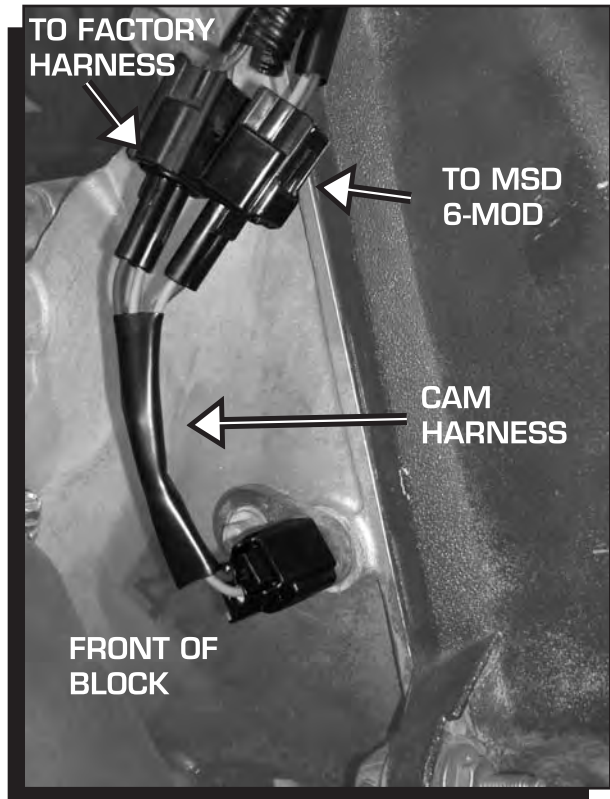


Figure 2 Camshaft Sensor Harness.

3. CRANKSHAFT SENSOR

Locate the Crankshaft Sensor at the lower front of the block near the crankshaft pulley.

Disconnect the factory sensor harness and install the MSD Red/Black harness inline.

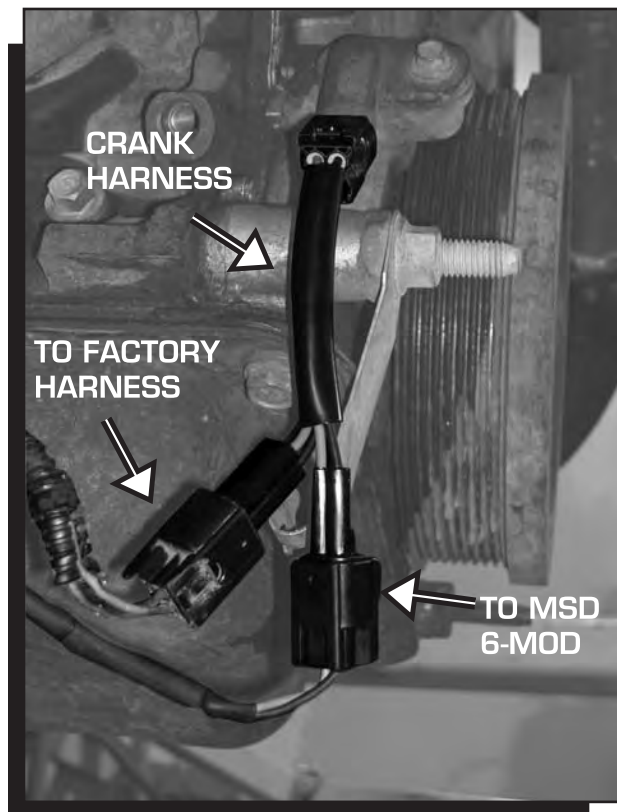


Figure 3 Crankshaft Sensor Harness (from below).

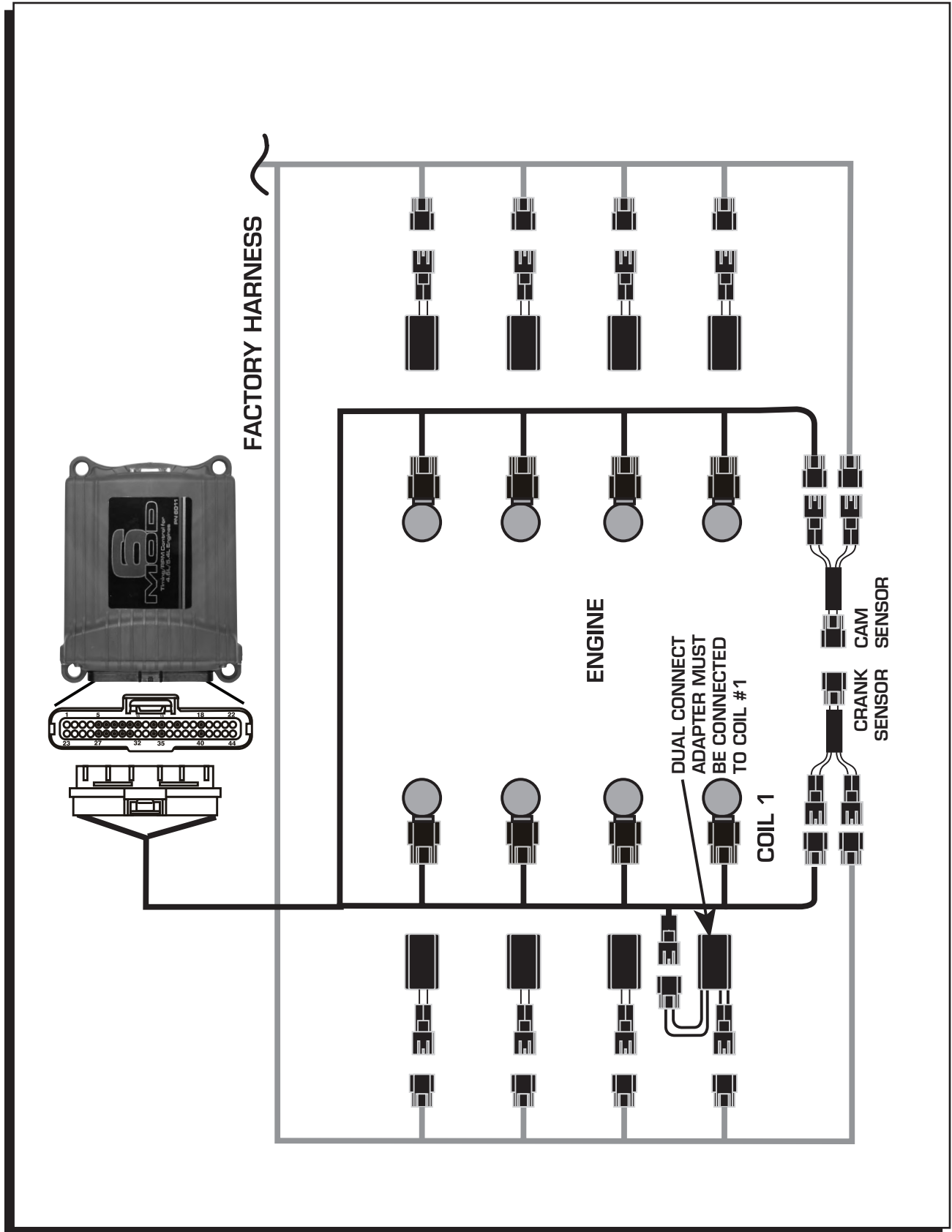


Figure 4 Wiring Diagram.

