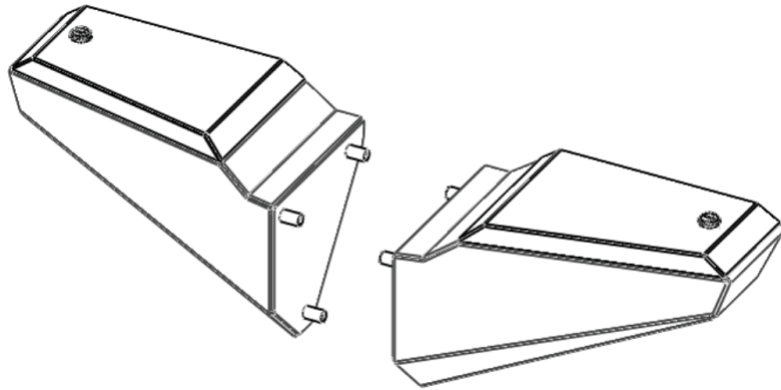


## 2007 Jeep® JK Wrangler Modular XHD Front Bumper Storage Ends

### Contents:

1. Left Storage End (1)
2. Right Storage End (1)



NOTICE: Failure to lock lids of XHD Storage Ends could result in loss of lids and/or damage to vehicle components. Always double check to make sure lids are properly locked before operating the vehicle.

1. Storage Ends are easier to install with the Center Section of Modular XHD Bumper off of the vehicle, but can be installed with the Center Section already installed. If Storage Ends are replacing previously installed Stubby Ends (Figure 1a), remove them so that empty ends remain (Figure 1b).

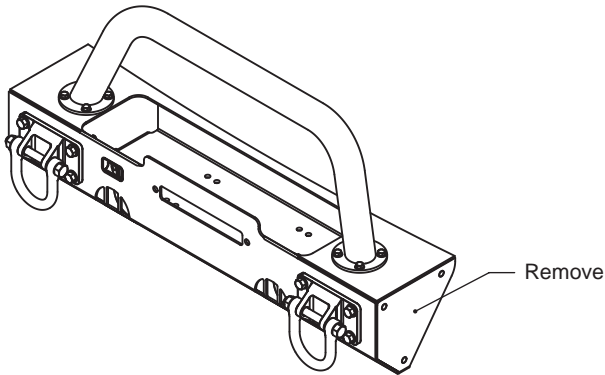


Figure 1a

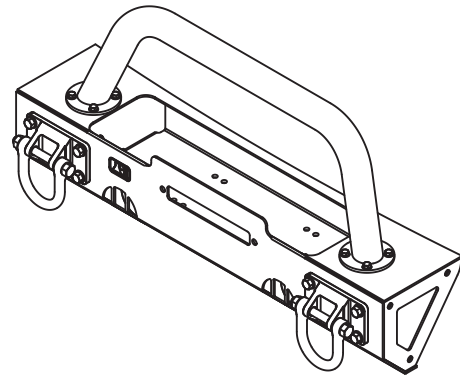
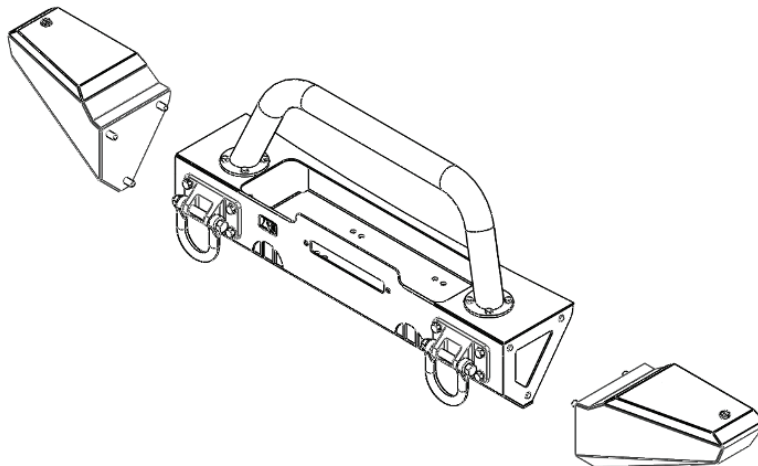
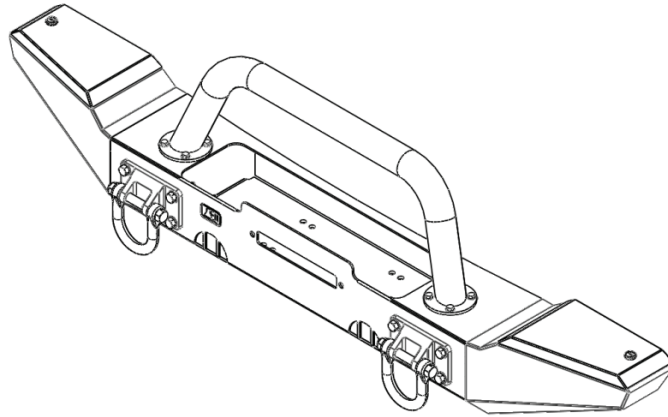


Figure 1b

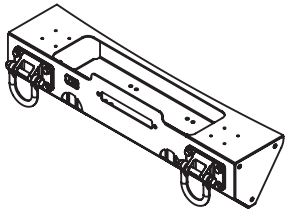
2. Position Storage Ends to the ends of the Center Section, aligning the studs in the Storage Ends with the holes in the sides of the Center Section (Figure 2a). Insert the studs in the Storage End into the holes in the Center Section and secure them with the nuts that came with the Center Section.



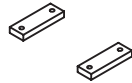
3. Once all 6 nuts have been started, tighten them. Installation is now complete!



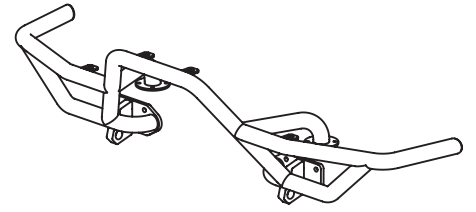
Congratulations on the purchase and installation of a quality Rugged Ridge product! Ask your retailer about the following additional accessories to the JK Modular XHD Bumper:



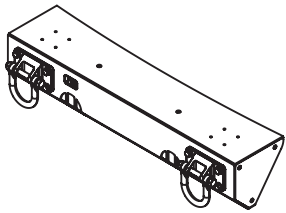
11540.10 - Winch Center Section



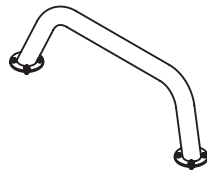
11540.15 - Optional Spacers for use with Warn® Powerplant Winch



11540.17 - Optional RRC Hoop

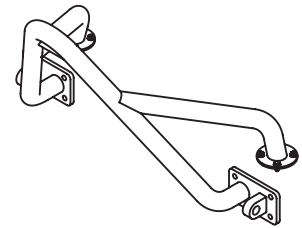


11540.11 - Non-winch Center Section



11540.14 - Optional Hoop - Black

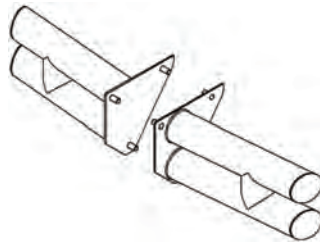
11540.16 - Optional Hoop - Stainless



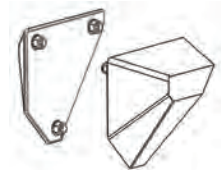
11540.13 - Optional Stinger



11540.17 - Optional Stainless D-Rings



11540.21 - Optional Tube Ends



11540.23 - Optional Stubby Ends