

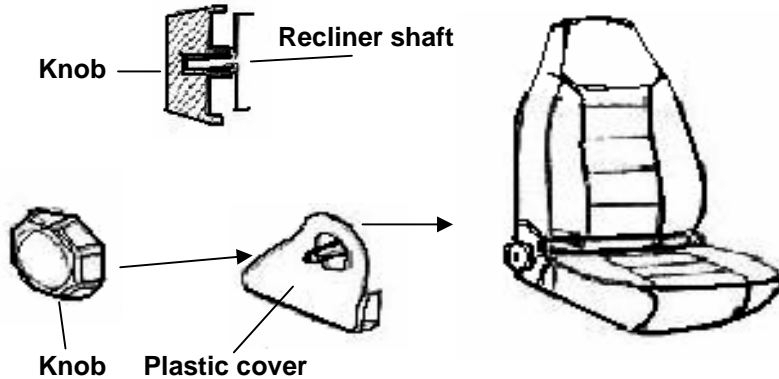


**Factory Style Replacment (13402.XX)
 Factory Style Late Head Rest (13403.XX)
 1976 - 2002 CJ - Wrangler
 Installation Instructions**

Note: All seats being installed in 1997 - 2002 Jeep ® TJ Wranglers will require a seat adaptor bracket

Included components:

- (1) seat
- (1) Plastic cover (LH)
- (1) Plastic cover (RH)
- (1) Recliner knob
- (1) Head rest - (13404.XX)
Super seat Only



Step (1) Firmly press plastic cover to the side of the metal seat recliner bracket for each side.

Step (2) Place recliner knob over recliner shaft and press firmly. Repeat for other side.

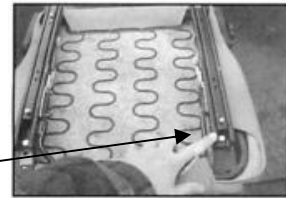
Step (3) Recheck to make sure covers and knobs are securely attached before installing seats.

Seat installation instructions:

Step (4) Remove old seat from riser by removing 4 bolts. Save these bolts as they will be reused later.

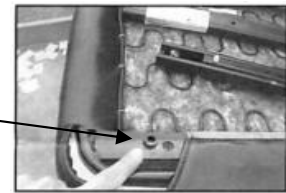


Step (5) Remove sliders from old seats by removing 4 bolts. Save these bolts as they will be reused later.



NOTE: To access the rear 2 bolts push slider arm down and move slider forward.

Step (6) Place sliders onto new seats. Reuse spacers from the old seat to align the slider.



Step (7) Fasten slider to the new seat using the 4 bolts saved from step 5

Step (8) Carefully place slider back onto seat riser and fasten with 4 bolts saved from step 4

