

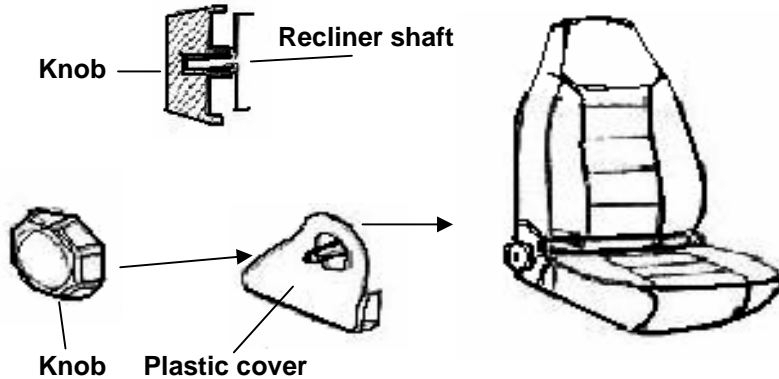


**Factory Style Replacment (13402.XX)  
 Factory Style Late Head Rest (13403.XX)  
 1976 - 2002 CJ - Wrangler  
 Installation Instructions**

**Note: All seats being installed in 1997 - 2002 Jeep ® TJ Wranglers will require a seat adaptor bracket**

**Included components:**

- (1) seat
- (1) Plastic cover (LH)
- (1) Plastic cover (RH)
- (1) Recliner knob
- (1) Head rest - (13404.XX)  
Super seat Only



**Step (1)** Firmly press plastic cover to the side of the metal seat recliner bracket for each side.

**Step (2)** Place recliner knob over recliner shaft and press firmly. Repeat for other side.

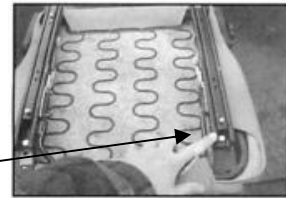
**Step (3)** Recheck to make sure covers and knobs are securely attached before installing seats.

**Seat installation instructions:**

Step (4) Remove old seat from riser by removing 4 bolts. Save these bolts as they will be reused later.

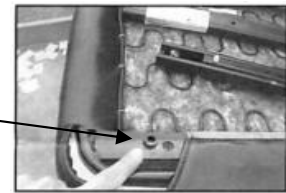


Step (5) Remove sliders from old seats by removing 4 bolts. Save these bolts as they will be reused later.



**NOTE: To access the rear 2 bolts push slider arm down and move slider forward.**

Step (6) Place sliders onto new seats. Reuse spacers from the old seat to align the slider.



Step (7) Fasten slider to the new seat using the 4 bolts saved from step 5

Step (8) Carefully place slider back onto seat riser and fasten with 4 bolts saved from step 4

