



# 1979-1985 Toyota Pick Up Single Steering Stabilizer Part # 7070 / 7175

www.skyjacker.com

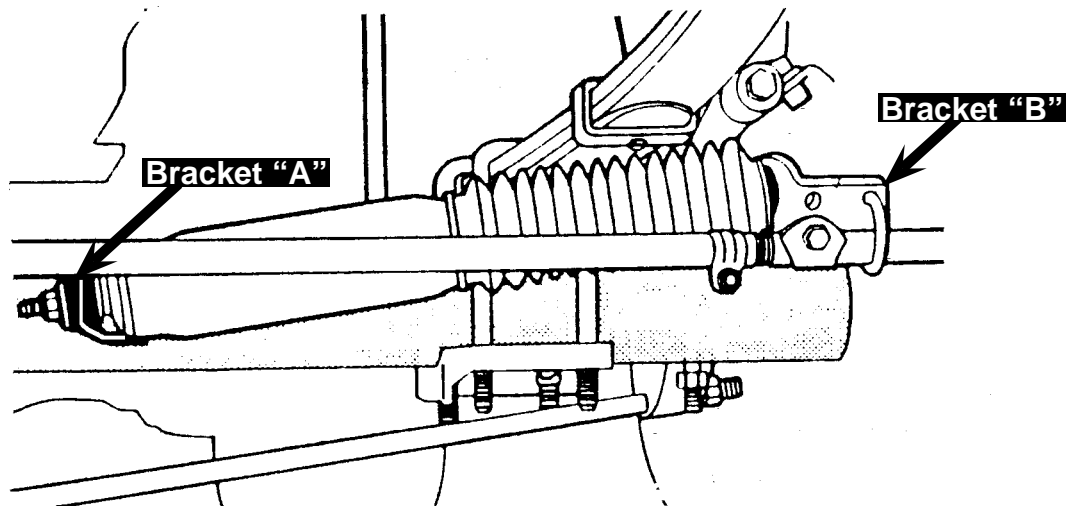
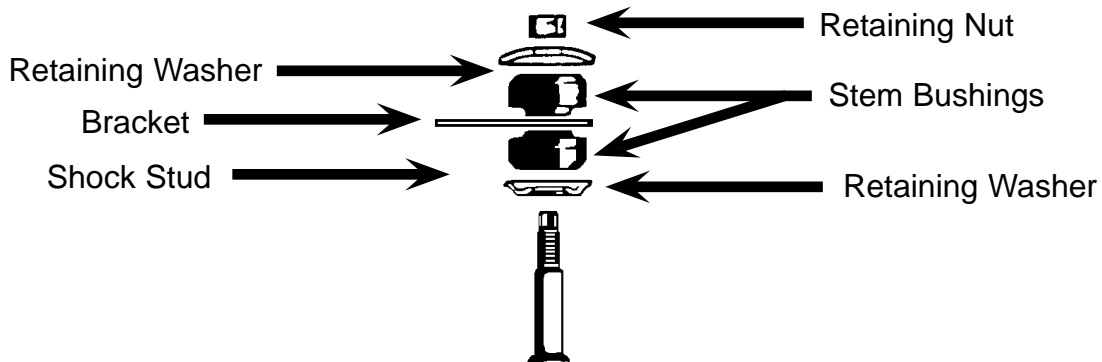
Part #	Description	Qty.
7900	WHITE STEERING DAMPER	1
83161	UNIVERSAL TIE ROD BRACKET	1
516X1X134U	5/16 X 1 X 1 3/4 U-BOLT RD	1
38X112FTB	3/8 X 1 1/2 FINE THRD BOLT	1
516CTN	516-18 COARSE N/I LOCK NUT	2
516SAEW	5/16 SAE WASHER	2
38FTN	3/8-24 FINE N/I LOCK NUT	1

Part #	Description	Qty.
38SAEW	3/8 SAE WASHER	1
STEM BUSH-SST	STEM BUSHING-STEERING STAB.	4
142120	STAB WASH PKG - P889/145098	2
B10RS	RED BOOT	1
BTIE	RED BOOT TIE	1
HSS	HYDRO SHOCK DECAL	1

## Installation:

1. Park the vehicle on flat level ground & set the emergency brake.
2. Place the tires / wheels to a straight forward position.
3. Install the cylinder, large diameter end, onto bracket "A" per illustration.
4. Extend the steering stabilizer shaft out 4"(exactly half way) & attach bracket "B" to the tie rod using the supplied u-bolt & 3/8" bolt. The 3/8" bolt will be attached to the lower forward hole on bracket "B". The u-bolt will be attached around the tie rod & through bracket "B".
5. Cycle the tires / wheels left to right & check all hardware for clearance.
6. Re-tighten all hardware after the first 100 miles & periodically there after.

**Seat Belts Save Lives, Please Wear Your Seat Belt.**





## *Jesus Christ Died For You.*

John 3:16

For God so loved the world that He gave His only Son, so that everyone who believes in Him should not perish, but have everlasting life.  
Romans 3:23

For all have sinned; all fall short of God's glorious standard.  
Ephesians 2:8

God saved you by his special favor when you believed. And you can't take credit for this; it is a gift from God.  
Psalms 18:2

The Lord is my Rock, my fortress, and my savior; my God is my Rock, in whom I find protection. He is my shield, the strength of my salvation, and my stronghold.  
Romans 10:9-10

That if you shall confess with thy mouth the Lord Jesus, and shall believe in your heart that God hath raised him from the dead, you shall be saved. For with the heart man believeth unto righteousness; and with the mouth confession is made unto salvation.

Pray This Simple Prayer:

God, I come to You admitting I have sinned against You and I need you to take control of my life. The Bible says anyone who calls on the name of the Lord will be saved. I am calling on You, Jesus. I ask that You come live in my heart and be the Lord over my life today. I do believe You died on the cross for me and came back to life to give me life! Thank You, Lord Jesus for a new life in You!

Now, go and tell somebody about your new life in Jesus, get a Bible, begin to read it, and go to a Bible believing church.

If you would like someone to pray with you, call Kenneth Copeland Ministries anytime at 800-600-7395.

To listen to commercial free Christian radio on the web, go to [www.887fm.org](http://www.887fm.org)

## *Jesús murió por ti.*

Juan 3:16

“Porque tanto amó Dios al mundo, que dio a su Hijo unigénito, para que todo el que cree en él no se pierda, sino que tenga vida eterna.”  
Romanos 3:23

“Pues todos han pecado y están privados de la gloria de Dios.”  
Efesios 2:8

“Porque por gracia ustedes han sido salvados mediante la fe; esto no procede de ustedes, sino que es el regalo de Dios.”  
Salmos 18:2

“El Señor es mi roca, mi amparo, mi libertador; es mi Dios, el peñasco en que me refugio. Es mi escudo, el poder que me salva, ¡mi más alto escondite!”  
Romanos 10:9-10

“9 Que si confi esas con tu boca que Jesús es el Señor, y crees en tu corazón que Dios lo levantó de entre los muertos, serás salvo. 10 Porque con el corazón se cree para ser justifi cado, pero con la boca se confi esa para ser salvo.”

Ahora dí esta simple oración:

Dios, vengo a Ti y admito que he pecado contra Ti, necesito que tomes el control de mi vida. La Biblia dice que todo aquel que invoca el nombre del Señor escapará con vida. En este momento yo clamo ante Ti, Jesús; te pido que vengas a vivir en mi corazón y que tomes el control de mi vida. ¡Yo creo que tu moriste en la cruz y resucitaste para darme vida! ¡Gracias Señor Jesús, por una nueva vida que tengo en Ti! Amen.

Ahora ve y dile a alguien sobre la nueva vida que tienes en Cristo. Compra una Biblia y empieza a leerla. Busca una Iglesia que cree en la Biblia y hazte parte de esa Iglesia.

Si te gustaría orar con alguien, puedes llamar a este número 800-600-7395

Puedes ir a este sitio de Internet para escuchar música Cristiana sin anuncios, [www.887fm.org](http://www.887fm.org)

**Check out our favorite ministries at:**

**[www.innministries.org](http://www.innministries.org)**

**[www.familychurch.org](http://www.familychurch.org)**

**[www.kcm.org](http://www.kcm.org)**

