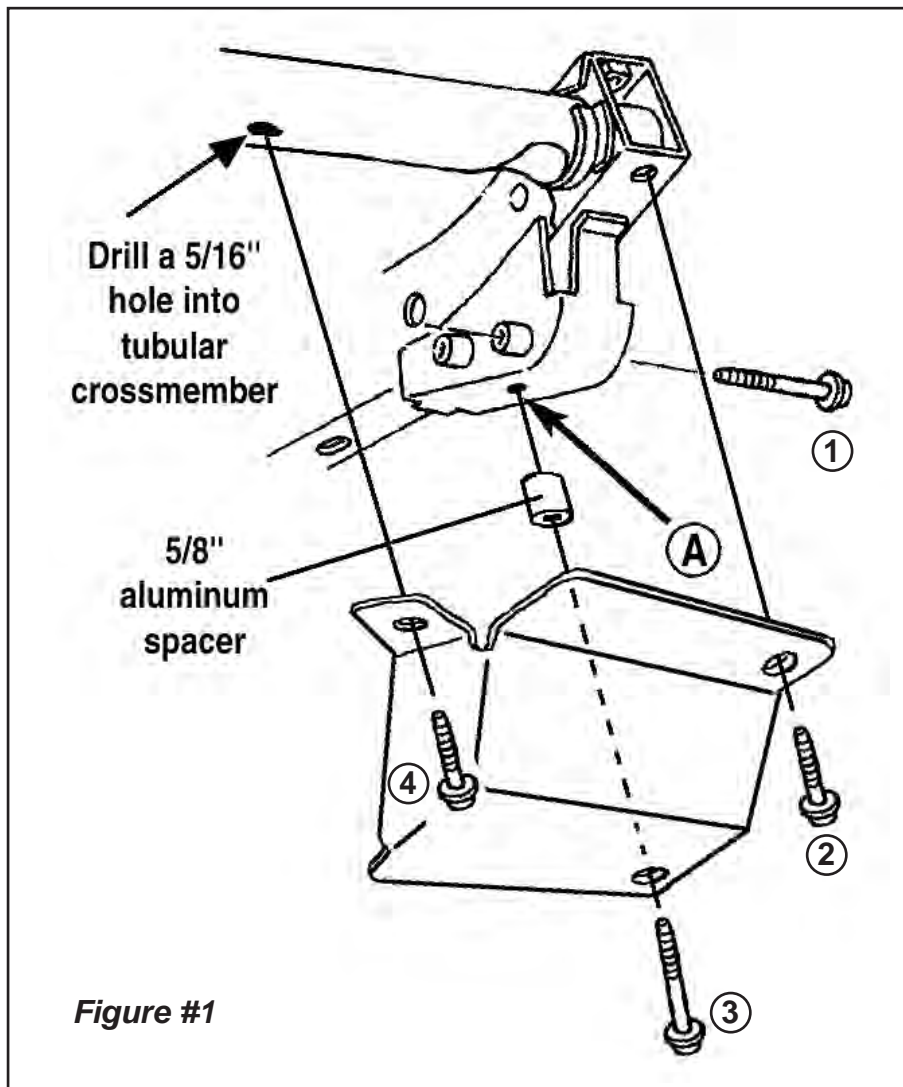


Jeep Wrangler TJ
Steering Box Skid Plate
Kit #: SSP10



Steering box skid plate installation instructions

1. Remove the driver side lower bumper bolt (bolt #1) also remove lower steering box mounting bolt (bolt #2) from frame as shown in *figure #1*.
2. Holding the skid plate in place, placing the three holes in the skid plate over the existing holes in frame.
3. With the skid plate in place, replace the bumper bolt (bolt #1) and steering box bolt (bolt #2).
4. Use the existing hole in the frame (A) to line up the rear skid plate bolt. Put the nut inside the frame.
5. Put the 5/8" aluminum spacer in place, shim accordingly with supplied washers and install the 3/8" x 2" bolt (bolt #3).
6. With the skid plate in place, locate the remaining hole in the ear of the skid plate. With the hole as a guide, use a center punch to mark the location you will be drilling.
7. Drill a 1/4" hole in the frame at the location you just marked.
8. Screw the 5/16" self-tapping bolt (bolt #4) into the hole you just made and tighten.



Items Included In This Kit:

- 2 1/2" washers
- 1 3/8" fine thread nut
- 1 3/8" washer
- 1 3/8" x 2" fine thread bolt
- 1 5/16" self-tapping bolt
- 1 5/8" aluminum spacer
- 1 steering box skid plate

NOTE: This Steering Box Skid Plate is compatible with oversized AGR aftermarket steering boxes.

JESUS CHRIST DIED FOR YOU

John 3:16

For God so loved the world, that he gave his only begotten Son, that whosoever believeth in Him should not perish, but have everlasting life.

Romans 3:23

For all have sinned, and come short of the glory of God.

Ephesians 2:8

For by grace are ye saved through faith; and that not of yourselves: it is the gift of God.

STEPS TO ACCEPTING JESUS CHRIST AS YOUR PERSONAL SAVIOUR

1. Confess your sins

I John 1:9

If we confess our sins, He is faithful and just to forgive us our sins and to cleanse us from all unrighteousness.

2. Repent of your sins

Luke 13:5

Unless you repent, you will all likewise perish.

3. Believe that the Lord Jesus Christ died on the cross for your sins

I Corinthians 15: 3&4

For I delivered unto you first of all that which I also received, how that Christ died for our sins according to the scriptures; And that he was buried, and that he rose again the third day according to the scriptures.

4. Ask Jesus Christ to come into your heart as Lord and Saviour

Romans 10: 9&10

That is thou shalt confess with thy mouth the Lord Jesus, and shalt believe in thine heart that God hath raised Him from the dead, thou shalt be saved. For with the heart man believeth unto righteousness; and with the mouth confession is made unto salvation.

I John 5: 11-13

And this is the record, that God hath given to us eternal life, and this life is in his Son. He that hath the Son hath life; and he that hath not the Son of God hath not life. These things have I written unto you that believe on the name of the Son of God; that ye may believe on the name of the Son of God.