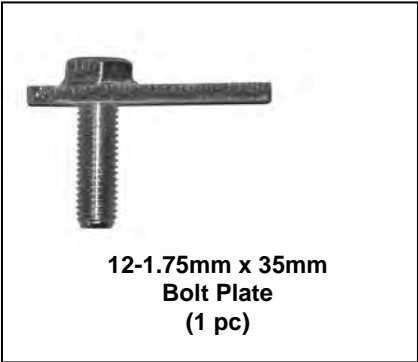
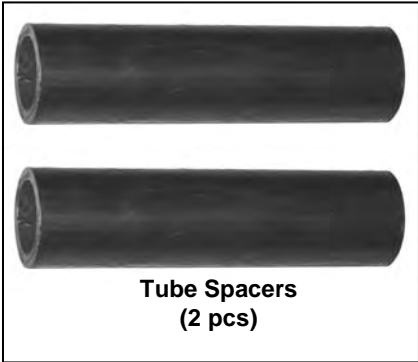
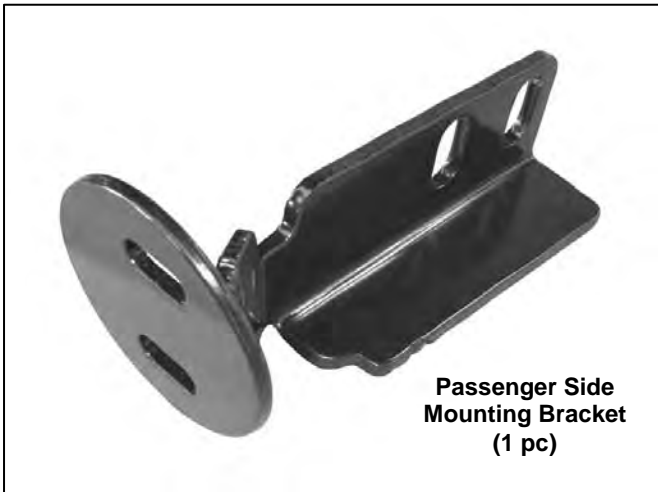




**Installation Instructions**  
**BULL BAR (Part # 51033&51034)**  
**07- 10 SIERRA 1500 / SILVERADO 1500**

**PARTS LIST:**

1	Bull Bar	2	12-1.75mm x 140mm Hex Head Bolts
1	Driver/Left Mounting Bracket	3	12mm Lock Washers
1	Passenger/Right Mounting Bracket	5	12m ID x 29mm OD x 3mm Flat Washers
1	12-1.75mm x 35mm Bolt Plate	3	12mm Hex Nuts
		4	8-1.25mm x 30mm Hex Head Bolts
		4	8mm Lock Washers
		4	8mm ID x 17mm OD x 1.5mm Flat Washers
		2	Tube Spacers – 84mm



**For Technical Support/Warranty Information please call 310-762-9944**



**Installation Instructions**  
**BULL BAR (Part # 51033&51034)**  
**07- 10 SIERRA 1500 / SILVERADO 1500**

**PROCEDURE:**

- 1. REMOVE CONTENTS FROM BOX. VERIFY ALL PARTS ARE PRESENT. READ INSTRUCTIONS CAREFULLY BEFORE STARTING INSTALLATION.**
- 2. NOTE:** It may be necessary to remove/relocate front license plate and license plate bracket. It is not required, but strongly recommended. If local/state law requires a license plate, license plate relocation kit is available.
- From underside of vehicle, remove the two bolts holding the driver factory tow hook, then remove tow hook from vehicle. **NOTE:** This Bull Bar is not compatible with factory tow hooks, so you will not be reinstalling factory tow hooks back onto vehicle.
- Loosely attach Mounting Brackets to Bull Bar using the included (4) 8mm x 30mm Hex Head Bolts, (4) 8mm Lock Washers, and (4) 8mm Flat Washers (**Figure 1**). Do not tighten at this time. **NOTE:** Refer to figure above for bracket configuration.
- With help slide the Bull Bar assembly through tow hook cavities and place Mounting Brackets on the outer side of frame rails.
- 6. On the driver side** you will be using the front tow hook hole that traverses the frame from side to side to attach Mounting Bracket to frame rail. Insert (1) Tube Spacers through the front of frame rail and align it with hole that traverses the frame rail (**Figure 2**). Secure the assembly with the included (1) 12mm x 140mm Hex Head Bolt, (1) 12mm Lock Washer, (1) 12mm Hex Nut, and (2) 12mm Flat Washers (**Figure 3**).
- 7. On the passenger side** use the included (1) 12mm x 35mm Bolt Plate, (1) 12mm Lock Washer, (1) 12mm Hex Nut, and (1) 12mm Flat Washer to attach Mounting Bracket to rear tow hook hole. Repeat step 6 to attach Mounting Bracket to front tow hook hole (**Figure 4**).
- Adjust Bull Bar properly, and then tighten all hardware at this time. **NOTE:** If you can't reach the Bull Bar Bolts (8mm hardware) from behind of bumper and through tow hook cavity, some cutting might be necessary to the tow hook cavity in order to tighten the Bull Bar Bolts.
- Do periodic inspections to the installation to make sure that all hardware is secure and tight.

**To protect your investment**, wax this product after installing. Regular waxing is recommended to add a protective layer over the finish. Do not use any type of polish or wax that may contain abrasives that could damage the finish.

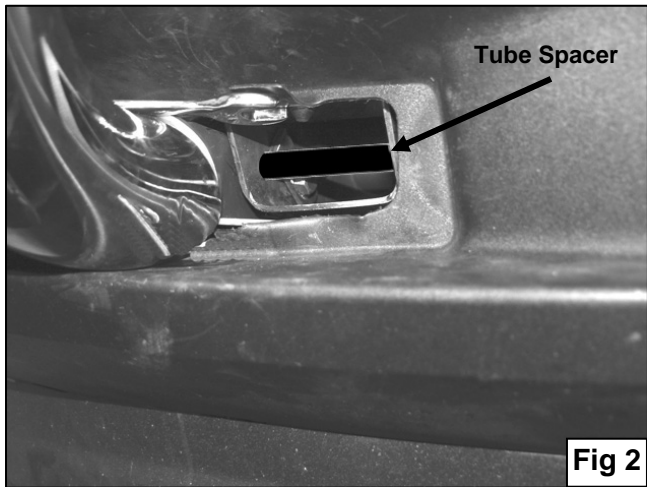
**For stainless steel:** Aluminum polish may be used to polish small scratches and scuffs on the finish. Mild soap may be used also to clean the Bull Bar.

**For gloss black finishes:** Mild soap may be used to clean the Bull Bar.

**For Technical Support/Warranty Information please call 310-762-9944**



**Installation Instructions**  
**BULL BAR (Part # 51033&51034)**  
**07- 10 SIERRA 1500 / SILVERADO 1500**

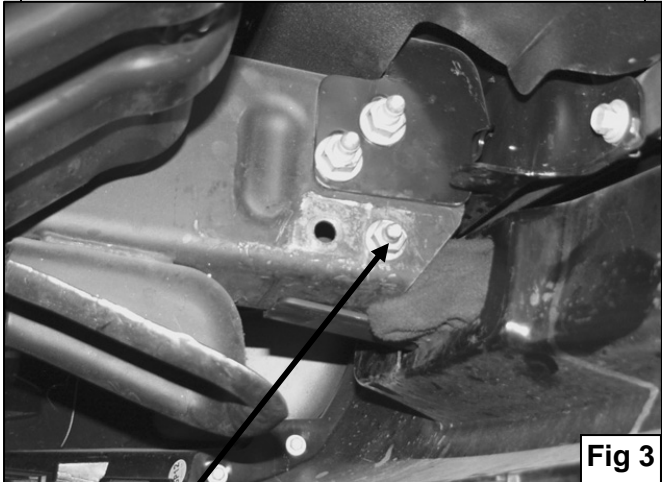


For Technical Support/Warranty Information please call 310-762-9944



**Installation Instructions**  
**BULL BAR (Part # 51033&51034)**  
**07- 10 SIERRA 1500 / SILVERADO 1500**

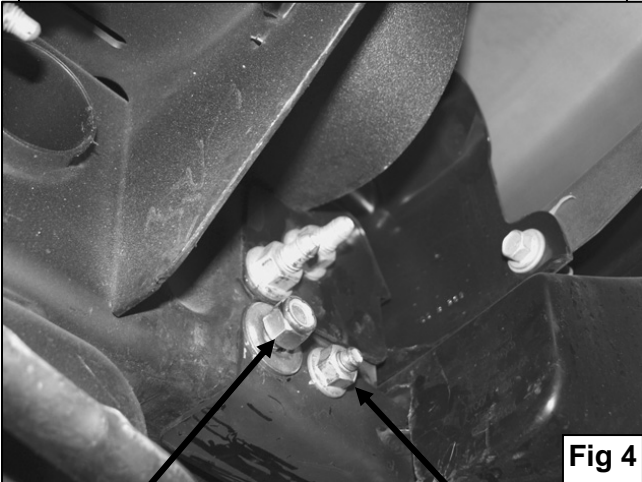
**Inner Side of Driver Frame Rail Shown**



**Fig 3**

- Factory Hardware or
- 12mm x 140mm Hex Head Bolt
- 12mm Lock Washer
- 12mm Hex Nut
- 12mm Flat Washers

**Outer Side of Passenger Frame Rail Shown**



**Fig 4**

- 12mm Bolt Plate
- 12mm Lock Washer
- 12mm Hex Nut
- 12mm Flat Washer

- Factory Hardware or
- 12mm x 140mm Hex Head Bolt
- 12mm Lock Washer
- 12mm Hex Nut
- 12mm Flat Washers



**Fig 5**

**Cleaning and Maintenance**

To protect your investment, wax this product after installing. Regular waxing is recommended to add a protective layer over the finish. Do not use any type of polish or wax that may contain abrasives that could damage the finish.

**For stainless steel:** Aluminum polish may be used to polish small scratches and scuffs on the finish. Mild soap, window or glass cleaner may be used also.

**For gloss black finishes:** Mild soap, window and glass cleaner may be used.

**LIMITED WARRANTY**

Smittybilt (The Company) warrants to the original purchaser of this product that should the product or any part thereof, under normal use and conditions, be proven defective in material or workmanship within the warranty period of 5 years from the date of purchase, such defect(s) will be repaired or replaced (At the Company's option) without charge for parts or labor. To obtain repair or replacement within the terms of the warranty, the product is to be delivered with proof of warranty coverage ( e.g. dated bill of sale,

**For Technical Support/Warranty Information please call 310-762-9944**



**Installation Instructions**  
**BULL BAR (Part # 51033&51034)**  
**07- 10 SIERRA 1500 / SILVERADO 1500**

receipt), specification of defect, freight pre-paid with Returns Good Authorization Number from Smittybilt to place of purchase. Items returned to Smittybilt without a Returns Authorization Number will be refused and returned to sender at the senders' expense.

This warranty does not apply to any product or part thereof which, in the opinion of the Company, has suffered or been damaged through altercation, improper installation, mishandling, misuse, neglect accident or acts of nature. **THE EXTENT OF THE COMPANY'S LIABILITY UNDER THIS WARRANTY IS LIMITED TO THE REPAIR OR REPLACEMENT PROVIDED ABOVE AND, IN NO EVENT, SHALL THE COMPANY'S LIABILITY EXCEED THE PURCHASE PRICE PAID BY THE PURCHASER FOR THIS PRODUCT.**

This warranty is in lieu of all expressed warranties and liabilities. ANY IMPLIED WARRANTIES, INCLUDING ANY IMPLIED WARRANTY OF MERCHANTABILITY SHALL BE LIMITED TO THE DURATION OF THIS WRITTEN WARRANTY. ANY ACTION FOR BREACH OF ANY WARRANTY HEREUNDER INCLUDING ANY IMPLIED WARRANTY OF MERCHANTABILITY MUST BE BROUGHT WITHIN A PERIOD OF 90 DAYS FROM DATE OF ORIGINAL PURCHASE. IN NO CASE SHALL THE COMPANY BE LIABLE FOR ANY CONSEQUENTIAL OR INCIDENTAL DAMAGES FOR BREACH OF THIS OR ANY OTHER WARRANTY, EXPRESSED OR IMPLIED, WHATSOEVER. No person or representative is authorized to assume for the company any liability other than expressed herein in connection with the sale of this product. Some states do not allow limitations on how long an implied warranty lasts or the exclusion or limitation of incidental or consequential damage, therefore above limitations may not apply to you. This warranty gives the purchaser specific legal rights. The purchaser may have additional rights, which vary from state to state. Some states do not allow limitations on how long an implied warranty lasts or the exclusion or limitation of incidental or consequential damage, herefore above limitations may not apply to you. This warranty gives the purchaser specific legal rights. The purchaser may have additional rights, which vary from state to state.

**For Technical Support/Warranty Information please call 310-762-9944**