



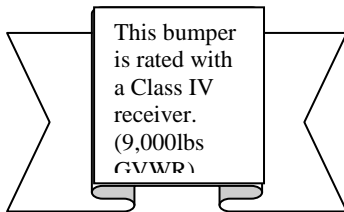
Installation Instructions

SRC Classic Rear Bumper (#76750)
1987-2006 Jeep Wranglers

NOTE: Carefully read entire instructions thoroughly before attempting to assemble and/or install this product.

Parts Included	Qty
Rear Bumper	1
Backing Plates	4
3/8" x 1 1/4" Hex Bolts	8
3/8" Flat Washers	8
3/8" Lock Washers	8
7/16" x 1 1/4" Hex Bolts	2
7/16" Flat Washers	2
7/16" Lock Washers	2

Note: Actual hardware may be Metric, which would coincide with the standard size shown.



Note: Check with OEM towing specifications and operation before towing anything with your vehicle.

Installation Instructions

1. Remove factory bumper, if equipped.
2. Locate (2) Backing Plates, (4) 3/8" Hex Bolts, (4) 3/8" Flat Washers, and (4) 3/8" Lock Washers. With a helpers assistance attach backing plates to the rear of the vehicle frame. Align holes in rear plate on the Bumper to those existing holes in the frame. Loosely attach to one side of vehicle with the hardware listed in this step. (See illustration below)
3. Repeat Step 2 for opposite side; loosely attach bolts at this time.
4. Align the lower mount brackets (one per side) with the holes on the bottom of the frame. Using (1) 7/16" Hex Bolt, (1) 7/16" Flat Washer, and (1) 7/16" Lock Washer attach and secure the bottom bracket to the frame. **Note:** if equipped, the factory bolt can be used in this step.
5. Repeat Step 4 for opposite side.

For Technical Support/Warranty Information please call 310-762-9944

Smittybilt, 400 West Artesia Blvd, Compton, CA 90220



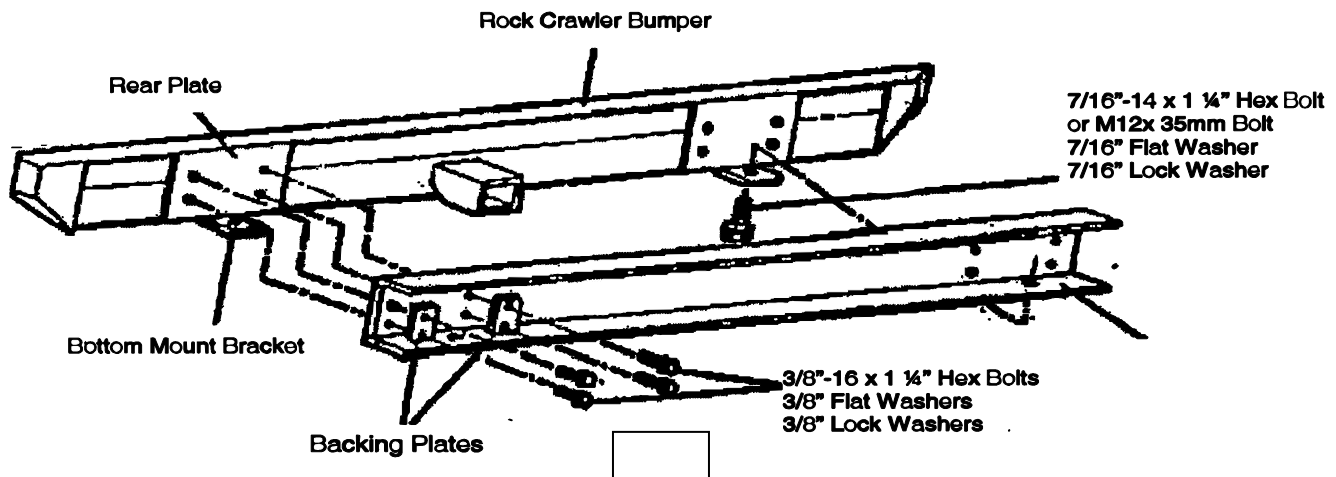
Installation Instructions

SRC Classic Rear Bumper (#76750)

1987-2006 Jeep Wranglers

6. Tighten all hardware completely at this time.

Note: On 97-on models, dropping of the fuel tank and skid plate will ease installation. Be sure to check and follow manufacturer's directions for this process.



NOTE: To protect your investment, wax this product after installing. Regular waxing is recommended. Do not use any type of polish/wax that contains abrasives that could damage the finish.

LIMITED WARRANTY

Smittybilt (The Company) warrants to the original purchaser of this product that should the product or any part thereof, under normal use and conditions, be proven defective in material or workmanship within the warranty period of 3 years from the date of purchase, such defect(s) will be repaired or replaced (At the Company's option) without charge for parts or labor. To obtain repair or replacement within the terms of the warranty, the product is to be delivered with proof of warranty coverage (e.g. dated bill of sale, receipt), specification of defect, freight pre-paid with Returns Good Authorization Number from Smittybilt to place of purchase or to Smittybilt. Items returned to Smittybilt Automotive without an Returns Authorization Number will be refused and returned to sender at the senders expense.

This warranty does not apply to any product or part thereof which, in the opinion of the Company, has suffered or been damaged through alteration, improper installation, mishandling, misuse, neglect accident or acts of nature. **THE EXTENT OF THE COMPANY'S LIABILITY UNDER THIS WARRANTY IS LIMITED TO THE REPAIR OR REPLACEMENT PROVIDED ABOVE AND, IN NO EVENT, SHALL THE COMPANY'S LIABILITY EXCEED THE PURCHASE PRICE PAID BY THE PURCHASER FOR THIS PRODUCT.**

This warranty is in lieu of all expressed warranties and liabilities. ANY IMPLIED WARRANTIES, INCLUDING ANY IMPLIED WARRANTY OF MERCHANTABILITY SHALL BE LIMITED TO THE DURATION OF THIS WRITTEN WARRANTY. ANY ACTION FOR BREACH OF ANY WARRANTY HEREUNDER INCLUDING ANY IMPLIED WARRANTY OF MERCHANTABILITY MUST BE BROUGHT WITHIN A PERIOD OF 90 DAYS FROM DATE OF ORIGINAL PURCHASE. IN NO CASE SHALL THE COMPANY BE LIABLE FOR ANY CONSEQUENTIAL OR INCIDENTAL DAMAGES FOR BREACH OF THIS OR ANY OTHER WARRANTY, EXPRESSED OR IMPLIED, WHATSOEVER. No person or representative is authorized to assume for the company any liability other than expressed herein in connection with the sale of this product. Some states do not allow limitations on how long an implied warranty lasts or the exclusion or limitation of incidental or consequential damage, therefore above limitations may not apply to you. This warranty gives the purchaser specific legal rights. The purchaser may have additional rights, which vary from state to state.

Some states do not allow limitations on how long an implied warranty lasts or the exclusion or limitation of incidental or consequential damage, therefore above limitations may not apply to you. This warranty gives the purchaser specific legal rights. The purchaser may have additional rights, which vary from state to state.

For Technical Support/Warranty Information please call 310-762-9944

Smittybilt, 400 West Artesia Blvd, Compton, CA 90220