



**Installation Instructions**  
***Sure-Step (Part # CN1190-S4)***  
*00-07 Suburban/Yukon XL 1/2 & 3/4 Ton*  
*02-06 Avalanche 1/2 & 3/4 Ton*

Read the instructions completely before you begin the installation. NOTE: Pictures are for reference only, actual brackets may be different. Installation is the same

**PARTS LIST**

- |                                                                |                               |
|----------------------------------------------------------------|-------------------------------|
| (2) SIDE TUBES WITH STEPS                                      | (4) 1/2" x 2" HEX HEAD BOLTS  |
| (2) FRONT MOUNT BRACKETS                                       | (4) 1/2" FLAT WASHERS         |
| (2) REAR MOUNT BRACKETS                                        | (4) 1/2" SPLIT LOCK WASHERS   |
| (2) CENTER MOUNT BRACES                                        | (2) 5/16" x 1" HEX HEAD BOLTS |
| (6) M12 – 1.75 x 120mm HEX HEAD BOLTS ( ONLY FOR 00-06 MODEL ) |                               |
| (4) 5/16" FLAT WASHERS                                         |                               |
| (2) 5/16" SPLIT LOCK WASHERS                                   |                               |

**PROCEDURE**

1. Begin installation by working on driver side of the vehicle (see Figures 1.1 – 1.4).
2. From underneath truck, loosen and remove body mount bolts that run upward through mounts into floorboard. Attach and secure Front Mount Bracket to underside of vehicles front body mount (see Figure 1.2) with (1) M12 – 1.75 x 120mm bolt ( For 07 Model, use the factory bolt on the vehicle), (1) 1/2" split lock washer, and (1) 1/2" flat washer. Hand Tighten.
3. Attach and secure Rear Mount Bracket to underside of vehicles rear body mount as shown in Figure 1.4, in same manner as the front. Repeat for Center Brace,(see Figure 1.3).
4. Attach Side Tube to Front and Rear Brackets using (1) 1/2" x 2" bolt, (1) 1/2" lock washer and (1) 1/2" flat washer for each bracket, and hand tighten. Fasten Center Brace to Side Tube using (1) 5/16" x 1" bolt,(1)5/16" Flat washer and (2) 5/16" flat washer. Adjust Side Tube so that it is level and centered, and tighten all bolts to complete the driver-side assembly.
5. Repeat process for passenger side of vehicle to complete installation.

**For Technical Support/Warranty Information please call 310-762-9944**

**Smittybilt, 1600 Walnut Parkway, Rancho Dominguez, CA 90220**



**Installation Instructions**  
*Sure-Step (Part # CN1190-S4)*  
00-07 Suburban/Yukon XL 1/2 & 3/4 Ton  
02-06 Avalanche 1/2 & 3/4 Ton

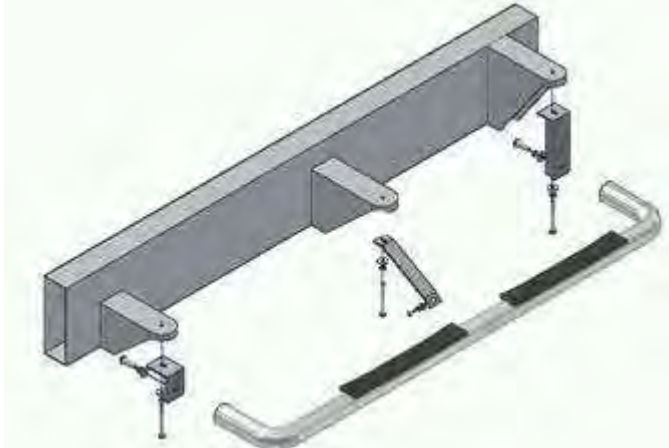


Figure 1.1 – Driver-Side Full Assembly View

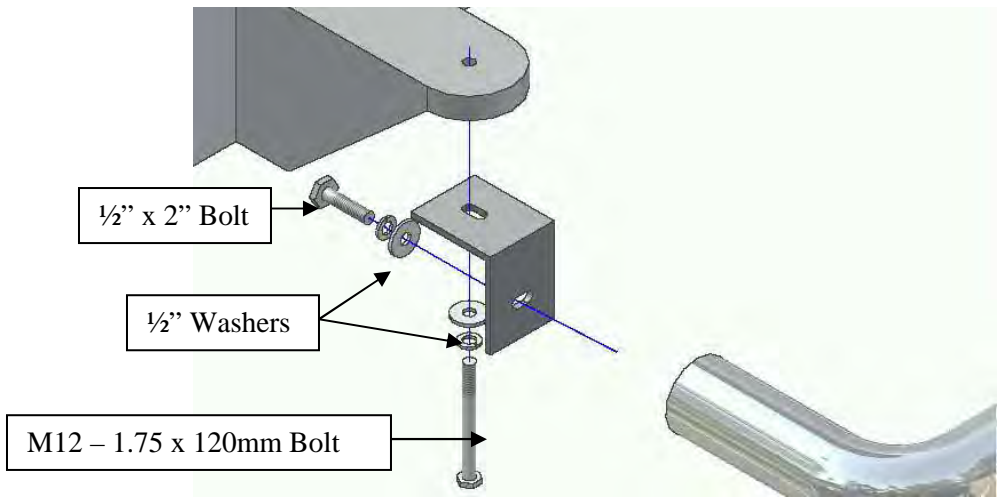


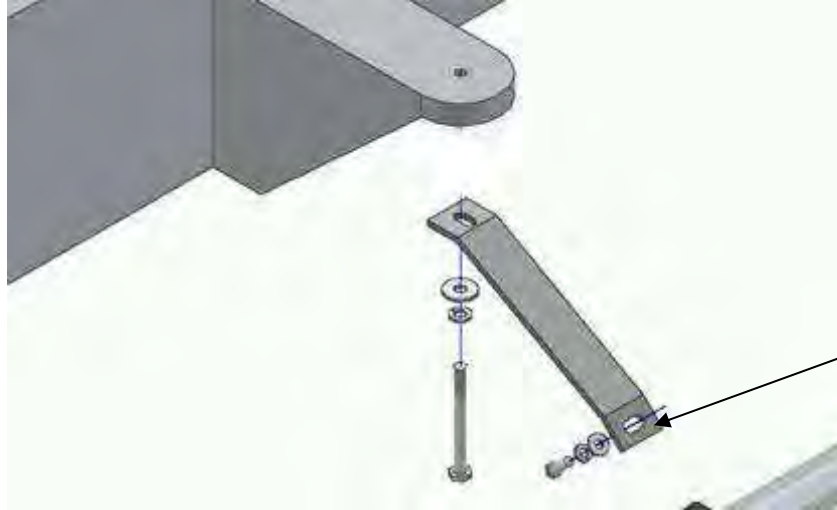
Figure 1.2 – Front Bracket

**For Technical Support/Warranty Information please call 310-762-9944**

**Smittybilt, 1600 Walnut Parkway, Rancho Dominguez, CA 90220**



**Installation Instructions**  
***Sure-Step (Part # CN1190-S4)***  
*00-07 Suburban/Yukon XL 1/2 & 3/4 Ton*  
*02-06 Avalanche 1/2 & 3/4 Ton*



5/16" Hardware

Figure 1.3 – Center Brace

**Cleaning and Maintenance**

To protect your investment, wax this product after installing. Regular waxing is recommended to add a protective layer over the finish.

**For stainless steel:** aluminum polish may be used to polish small scratches and scuffs on the finish. Mild soap, window or glass cleaner may be used also.

**For gloss black finishes.** Mild soap, window and glass cleaner may be used. Do not use any type of polish or wax that contains abrasive that could damage the finish.

**LIMITED WARRANTY**

Smittybilt (The Company) warrants to the original purchaser of this product that should the product or any part thereof, under normal use and conditions, be proven defective in material or workmanship within the warranty period of 5 years from the date of purchase, such defect(s) will be repaired or replaced (At the Company's option) without charge for parts or labor. To obtain repair or replacement within the terms of the warranty, the product is to be delivered with proof of warranty coverage ( e.g. dated bill of sale, receipt), specification of defect, freight pre-paid with Returns Good Authorization Number from Smittybilt to place of purchase. Items returned to Smittybilt Automotive without an Returns Authorization Number will be refused and returned to sender at the senders expense.

This warranty does not apply to any product or part thereof which, in the opinion of the Company, has suffered or been damaged through alteration, improper installation, mishandling, misuse, neglect accident or acts of nature. **THE EXTENT OF THE COMPANY'S LIABILITY UNDER THIS WARRANTY IS LIMITED TO THE REPAIR OR REPLACEMENT PROVIDED ABOVE AND, IN NO EVENT, SHALL THE COMPANY'S LIABILITY EXCEED THE PURCHASE PRICE PAID BY THE PURCHASER FOR THIS PRODUCT.**

This warranty is in lieu of all expressed warranties and liabilities. ANY IMPLIED WARRANTIES, INCLUDING ANY IMPLIED WARRANTY OF MERCHANTABILITY SHALL BE LIMITED TO THE DURATION OF THIS WRITTEN WARRANTY. ANY ACTION FOR BREACH OF ANY WARRANTY HEREUNDER INCLUDING ANY IMPLIED WARRANTY OF MERCHANTABILITY MUST BE BROUGHT WITHIN A PERIOD OF 90 DAYS FROM DATE OF ORIGINAL PURCHASE. IN NO CASE SHALL THE COMPANY BE LIABLE FOR ANY CONSEQUENTIAL OR INCIDENTAL DAMAGES FOR BREACH OF THIS OR ANY OTHER WARRANTY, EXPRESSED OR IMPLIED, WHATSOEVER. No person or representative is authorized to assume for the company any liability other than expressed herein in connection with the sale of this product. Some states do not allow limitations on how long an implied warranty lasts or the exclusion or limitation of incidental or consequential damage, therefore above limitations may not apply to you. This warranty gives the purchaser specific legal rights. The purchaser may have additional rights, which vary from state to state. Some states do not allow limitations on how long an implied warranty lasts or the exclusion or limitation of incidental or consequential damage, therefore above limitations may not apply to you. This warranty gives the purchaser specific legal rights. The purchaser may have additional rights, which vary from state to state.

**For Technical Support/Warranty Information please call 310-762-9944**

**Smittybilt, 1600 Walnut Parkway, Rancho Dominguez, CA 90220**