



Installation Instructions
Sure-Step (Part # DN250-S4)
06 Dodge Ram Mega Cab

PARTS LIST

- | | |
|---|----------------------------------|
| (2) SIDE TUBES WITH STEPS | (16) M12 FLAT WASHER |
| (2) FRONT MOUNT BRACKETS | (16) M12 LOCK WASHER |
| (2) REAR MOUNT BRACKETS | (16) M10 FLAT WASHERS |
| (2) FRONT BRACE BRACKETS | (16) M10 LOCK WASHERS |
| (2) CENTER BRACE BRACKETS | (12) M10 HEX NUTS |
| (4) M12 – 1.75 x 120mm HEX HEAD BOLT | (2) M12 FLAT WASHERS (50mm O.D.) |
| (4) M12X60mm HEX HEAD BOLT | |
| (2) M10X40mm HEX HEAD BOLT | |
| (2) M10x35mm HEX HEAD BOLT WITH METAL STRAP | |
| (2) M10X25mm HEX BOLTS | |
| (2) M10 BOLT PLATES | |

PROCEDURE

1. Begin installation by working on driver side of the vehicle (refer to Figures 1. 1- 1.5)
2. From underneath truck, loosen and remove body mount bolts that run upward through mounts into floorboard. Attach and secure Front Mount Bracket to underside of vehicles front body mount (see Figure 1.3), re-using isolator, but replacing factory bolt with (1) M12 – 1.75 x 120mm bolt, (1) 1/2” LOCK WASHER, and (1) M12 FLAT WASHER. Also,
3. Attach and secure Rear Mount Bracket to underside of vehicles rear body mount in same manner as the front.
4. Attach and secure Center Brace brackets. See Figure 1.3 to know where to install the Center Brace Brackets.
5. Attach Front Brace Bracket to side of Front Mount Bracket using (1) M10X40mm bolt, (2) M10 flat washers, and (1) M10 hex nut ,(1) lock washer (see Figure 1.5). Place (1) 3/8” x 1 1/2” bolt with welded strap and (1) M12 flat washer through cut out in frame rail. Line up slot on the long arm of the Brace Bracket with this bolt and secure using (1) M10 flat washer and (1) M10 lock nut,(1) lock washer. Hand tighten.
6. Attach Side Tube to Front and Rear Brackets using (1) M12 – 1.75 x 60mm HEX HEAD BOLT , (1) M12 split lock washer and (1) M12 flat washer for each bracket, and hand tighten. Torque M12 bolts first to 65 ft-lbs and then tighten all remaining fasteners to complete the driver-side assembly.
7. Repeat process for passenger side of vehicle to complete installation.

For Technical Support/Warranty Information please call 310-762-9944

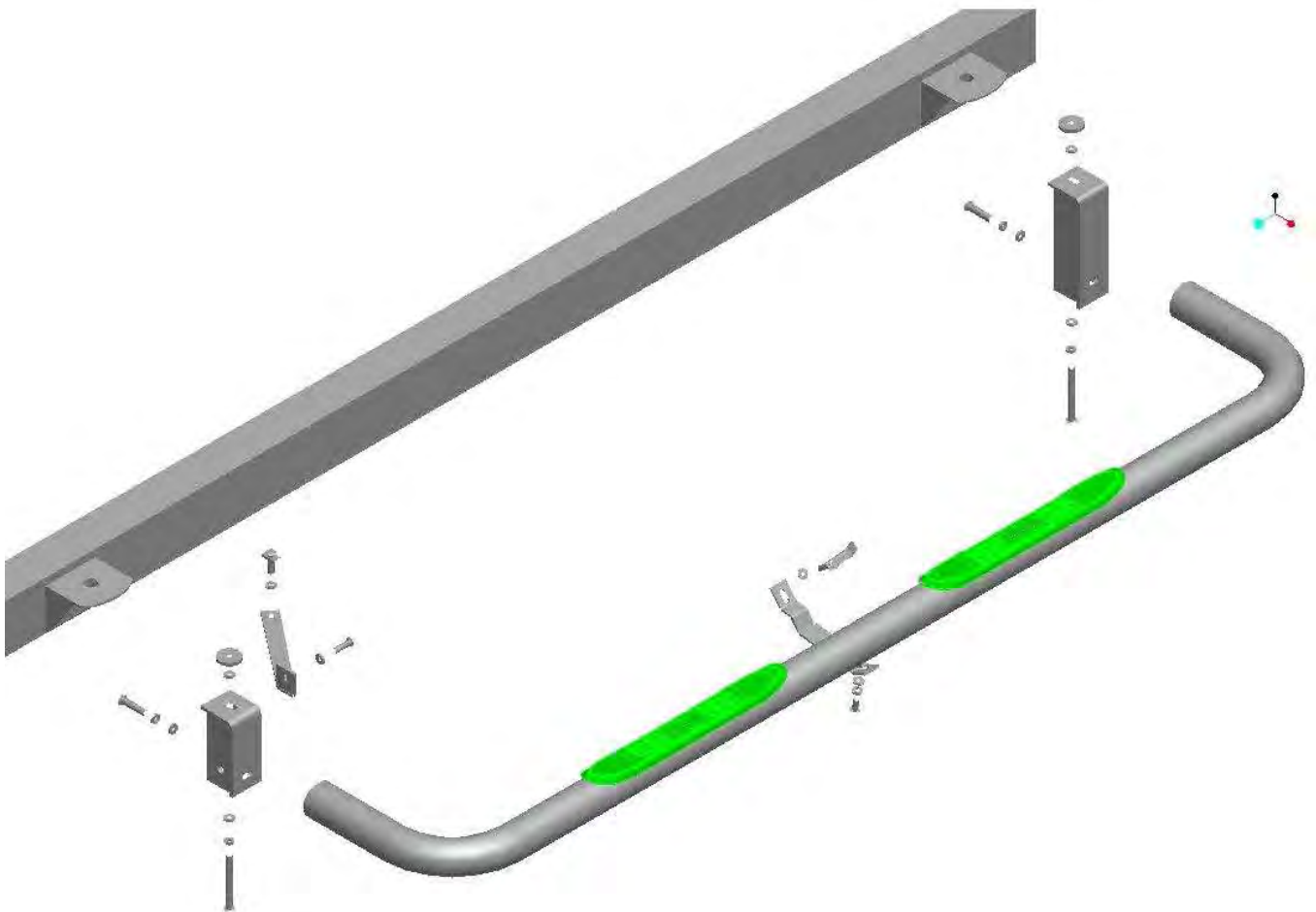
Smittybilt, 1600 Walnut Parkway, Rancho Dominguez, CA 90220



Installation Instructions
Sure-Step (Part # DN250-S4)
06 Dodge Ram Mega Cab



1500/2500/3500 Front Brace



Attach center support bracket as shown in Fig.3-4. Place hooked T-bolt through body with threaded stud through hole. Secure bracket to bolt using 3/8 nut, lock-washer, and flat washer. Attach side bar to center support bracket with 3/8 bolt, lock washer, and flat washer

For Technical Support/Warranty Information please call 310-762-9944

Smittybilt, 1600 Walnut Parkway, Rancho Dominguez, CA 90220



Installation Instructions
Sure-Step (Part # DN250-S4)
06 Dodge Ram Mega Cab



The customer should take off the **black sticker** on the middle of frame, and then they will see two holes there. Use the T-bolt (bolt plate) hook the center hole through the neighbor hole like the left picture above. After that, they can install the center bracket without any problem.

Figure 1.3 –Driver-Side Front Assembly View (1500/2500/3500 Series set-up shown)

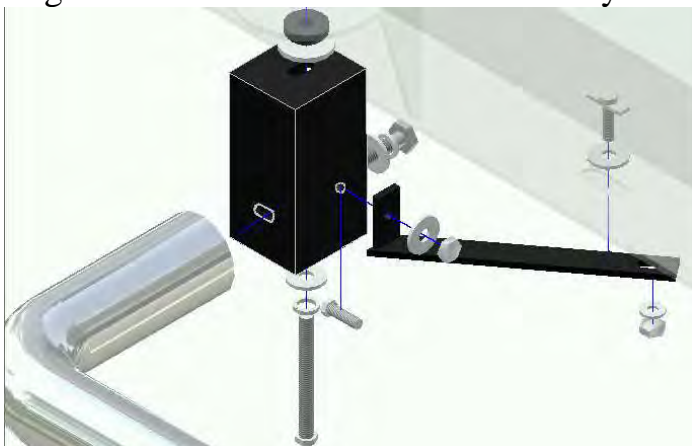


Figure 1.5 – 1500/2500/3500 Front Mount Assembly

Cleaning and Maintenance

To protect your investment, wax this product after installing. Regular waxing is recommended to add a protective layer over the finish. Do not use any type of polish or wax that may contain abrasives that could damage the finish.

For stainless steel: Aluminum polish may be used to polish small scratches and scuffs on the finish. Mild soap, window or glass cleaner may be used also.

For Technical Support/Warranty Information please call 310-762-9944



Installation Instructions
Sure-Step (Part # DN250-S4)
06 Dodge Ram Mega Cab

For gloss black finishes: Mild soap, window and glass cleaner may be used.

LIMITED WARRANTY

Smittybilt (The Company) warrants to the original purchaser of this product that should the product or any part thereof, under normal use and conditions, be proven defective in material or workmanship within the warranty period of 5 years from the date of purchase, such defect(s) will be repaired or replaced (At the Company's option) without charge for parts or labor. To obtain repair or replacement within the terms of the warranty, the product is to be delivered with proof of warranty coverage (e.g. dated bill of sale, receipt), specification of defect, freight pre-paid with Returns Good Authorization Number from Smittybilt to place of purchase. Items returned to Smittybilt without a Returns Authorization Number will be refused and returned to sender at the senders' expense.

This warranty does not apply to any product or part thereof which, in the opinion of the Company, has suffered or been damaged through altercation, improper installation, mishandling, misuse, neglect accident or acts of nature. **THE EXTENT OF THE COMPANY'S LIABILITY UNDER THIS WARRANTY IS LIMITED TO THE REPAIR OR REPLACEMENT PROVIDED ABOVE AND, IN NO EVENT, SHALL THE COMPANY'S LIABILITY EXCEED THE PURCHASE PRICE PAID BY THE PURCHASER FOR THIS PRODUCT.**

This warranty is in lieu of all expressed warranties and liabilities. ANY IMPLIED WARRANTIES, INCLUDING ANY IMPLIED WARRANTY OF MERCHANTABILITY SHALL BE LIMITED TO THE DURATION OF THIS WRITTEN WARRANTY. ANY ACTION FOR BREACH OF ANY WARRANTY HEREUNDER INCLUDING ANY IMPLIED WARRANTY OF MERCHANTABILITY MUST BE BROUGHT WITHIN A PERIOD OF 90 DAYS FROM DATE OF ORIGINAL PURCHASE. IN NO CASE SHALL THE COMPANY BE LIABLE FOR ANY CONSEQUENTIAL OR INCIDENTAL DAMAGES FOR BREACH OF THIS OR ANY OTHER WARRANTY, EXPRESSED OR IMPLIED, WHATSOEVER. No person or representative is authorized to assume for the company any liability other than expressed herein in connection with the sale of this product. Some states do not allow limitations on how long an implied warranty lasts or the exclusion or limitation of incidental or consequential damage, therefore above limitations may not apply to you. This warranty gives the purchaser specific legal rights. The purchaser may have additional rights, which vary from state to state.

Some states do not allow limitations on how long an implied warranty lasts or the exclusion or limitation of incidental or consequential damage, therefore above limitations may not apply to you. This warranty gives the purchaser specific legal rights. The purchaser may have additional rights, which vary from state to state.

For Technical Support/Warranty Information please call 310-762-9944

Smittybilt, 1600 Walnut Parkway, Rancho Dominguez, CA 90220