



Installation Instructions

Sure Step
(Part #DN280-S4B/DN280-S4S)

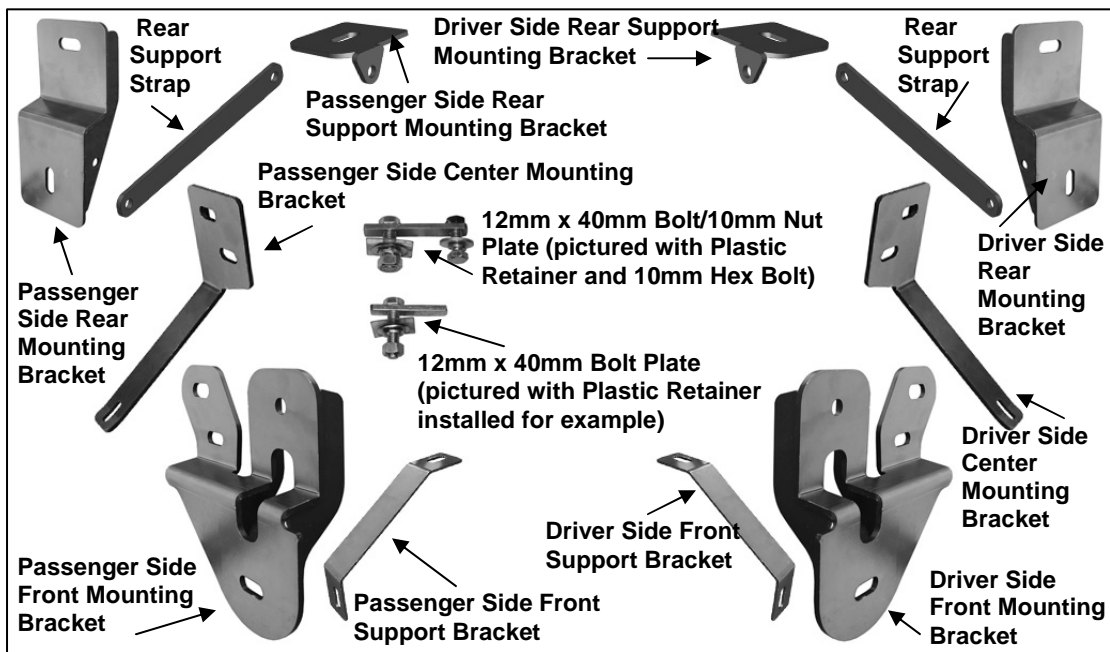
2010 Dodge Ram 2500/3500 Mega Cab

For Technical Support/Warranty Information please call 310-762-9944

Smittybilt, 400 West Artesia Blvd, Compton, CA 90220

PARTS LIST:

Qty	Description	Qty	Description
1	Driver/Left Sidebar	4	12-1.75mm x 40mm Bolt/10-1.5mm Nut Plates
1	Passenger/Right Sidebar	4	12-1.75mm x 40mm Bolt Plates
1	Driver/Left Front Mounting Bracket	8	12mm x 32mm OD x 3mm Flat Washers
1	Passenger/Right Front Mounting Bracket	8	12mm Lock Washers
1	Driver/Left Front Support Bracket	8	12mm Hex Nuts
1	Passenger/Right Front Support Bracket	8	12mm Plastic Retainers
1	Driver/Left Center Mounting Bracket	8	10-1.50mm x 35mm Hex Bolts
1	Passenger/Right Center Mounting Bracket	4	10mm x 30mm OD x 2.5mm Flat Washers
2	Rear Mounting Brackets	8	10mm x 20mm OD x 2.5mm Flat Washers
1	Driver/Left Rear Support Mounting Bracket	8	10mm Lock Washers
1	Passenger/Right Support Mounting Bracket	4	10mm Hex Nuts
2	Rear Support Strap	2	8-1.25mm x 25mm Hex Bolt
4	1/2" x 2" Hex Bolts	2	8mm x 24mm OD x 2mm Flat Washers
4	1/2" Lock Washers	2	8mm Lock Washers
4	1/2" X 1-1/2" OD x 1/8" Flat Washers		



PROCEDURE:

1. REMOVE CONTENTS FROM BOX. VERIFY ALL PARTS ARE PRESENT. READ INSTRUCTIONS CAREFULLY BEFORE STARTING INSTALLATION.
2. Starting at the driver side-front of the vehicle, remove the tape covering the factory oval holes in the inner body panel located by the front tire. Partially thread a Plastic Retainer onto the threaded end of a Bolt and Nut Plate, (**Fig 1A**). Once you have assembled the Bolt and Nut Plate, insert it into the factory oval hole. Hold the Bolt end with one hand and tighten the Plastic Retainer with your other hand. **NOTE:** Tighten the Plastic Retainer until it is flush against the side panel, (**Figure 2**). **IMPORTANT:** The Plastic Retainer is designed to prevent the Bolt Plate from falling into the body cavity and to aid in mounting the Bracket.
3. Next, select (1) 12mm Bolt Plate and partially thread a Plastic Retainer onto it. Insert the Bolt Plate into the forward, smaller oval hole and install as per Step 2, (**Fig 1B & 2**).
4. Select the driver side front Mounting Bracket. Position the Mounting Bracket onto the installed Bolt Plates. Secure it with (2) 12mm Flat Washers, (2) 12mm Lock Washers and (2) 12mm Hex Nuts, (**Figure 3**). Do not tighten at this time. Rotate the Bolt and Nut plate until the

threaded nut lines up with the remaining hole in the Mounting Bracket and body. Thread (1) 10mm x 35mm Hex Bolt, (1) 10mm Flat Washer and (1) 10mm Lock Washer into the threaded nut. Do not tighten hardware at this time.

5. Remove the driver side front factory body bolt and washer. Select the driver side Front Support Bracket. Insert the factory body bolt and washer through the slot in the Support Bracket and up into its original position, **(Figure 3)**. Line the other end of the Support Bracket up with the oval hole in the Front Mounting Bracket. Snug but do not tighten hardware.
6. Move to the mid point on the driver side of the vehicle and remove the tape covering the factory oval hole in the inner body panel, **(Figure 4)**. Select and install a Bolt and Nut Plate as described in Step 2, **(Figure 1A, 4)**.
7. Select the driver side Center Mounting Bracket. Position the Mounting Bracket onto the installed Bolt and Nut Plate. Secure it with (1) 12mm Flat Washer, (1) 12mm Lock Washer and (1) 12mm Hex Nut, **(Figure 5)**. Do not tighten at this time. Rotate the Bolt and Nut plate until the Nut end lines up with the remaining hole in the Mounting Bracket and body. Thread (1) 10mm x 35mm Hex Bolt, (1) 10mm Flat Washer and (1) 10mm Lock Washer into the threaded nut. Leave hardware loose at this time.
8. Next, move to the rear mounting location and remove the tape covering the single factory hole. Select (1) 12mm Bolt Plate and install it as described in Steps 2 & 3, **(Figure 6)**. Select the driver side Rear Mounting Bracket. Position the Mounting Bracket onto the installed Bolt Plate. Secure it with (1) 12mm Flat Washer, (1) 12mm Lock Washer and (1) 12mm Hex Nut. Push Bracket up against the body as you tighten the hardware, **(Figure 7)**.
9. Remove the driver side rear factory body bolt and washer. Select the driver side Rear Support Mounting Bracket. Insert the factory body bolt and washer through the Support Mounting Bracket and up into its original position. Next, select (1) Rear Support Strap and bolt it to the mounting tab on the Rear Support Mounting Bracket and to the Rear Mounting Bracket with (2) 10mm x 35mm Hex Bolts, (4) 10mm x 20mm OD Small Flat Washers, (2) 10mm Lock Washers and (2) 10mm Hex Nuts, **(Figure 8)**. Snug but do not tighten hardware at this time.
10. Select the driver Sidebar and with assistance, carefully fasten it to the front and rear Mounting Brackets with the included (2) 1/2" x 2" Hex Head Bolts, (2) 1/2" Lock Washers, and (2) 1/2" Flat Washers, **(Figure 8 & 9)**. Do not tighten at this time.
11. Level and align Sidebar properly; then snug all hardware on the front and rear Mounting Brackets at this time.
12. Line up the Center Mounting Bracket with the threaded insert in the Sidebar. Insert (1) 8mm x 25mm Hex Bolt, (1) 8mm Lock Washer and (1) 8mm Flat Washer through the Center Bracket and into the threaded insert in the Sidebar. Slowly tighten the Mounting Hardware, **(Figure 10)**.
13. Check the Sidebar for level and adjust as necessary. Tighten all hardware at this time.
14. Repeat steps 2-14 for passenger Sidebar installation.
15. Do periodic inspections to the installation to make sure all hardware is secure and tight.

To protect your investment, wax this product after installing. Regular waxing is recommended to add a protective layer over the finish. Do not use any type of polish or wax that may contain abrasives that could damage the finish.

For stainless steel: Aluminum polish may be used to polish small scratches and scuffs on the finish. Mild soap may be used also to clean the Sidebar.

For gloss black finishes: Mild soap may be used to clean the Sidebar.

DRIVER SIDE INSTALLATION PICTURED

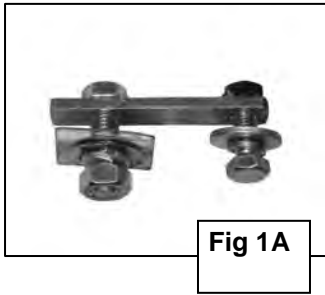


Fig 1A

Rotate Bolt and Nut plate to line up Nut with this hole in body panel

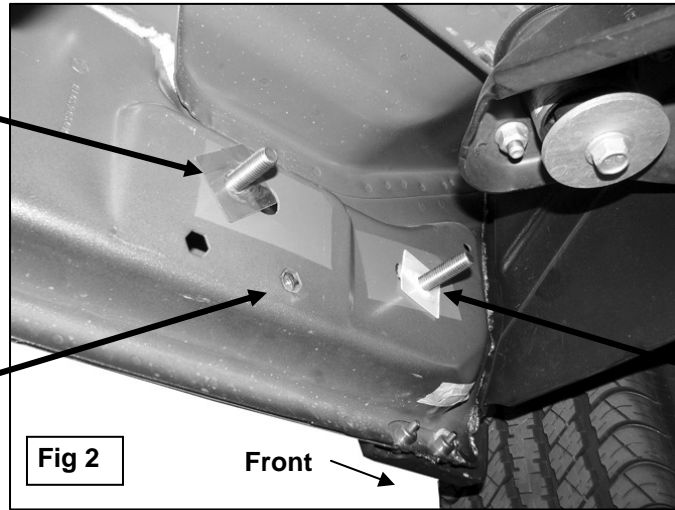


Fig 2

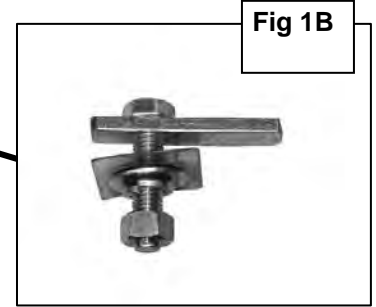


Fig 1B

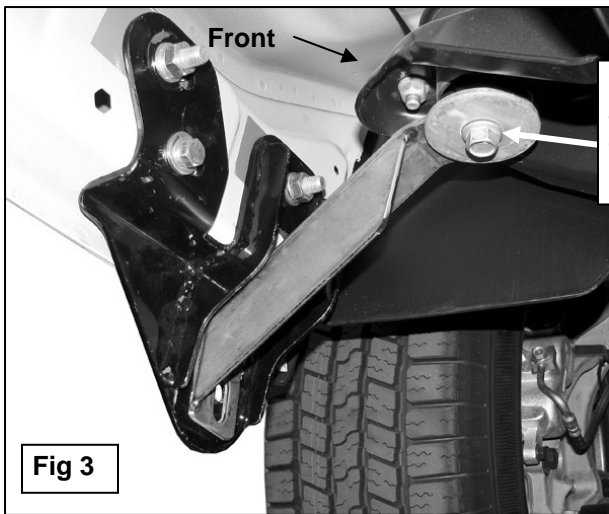
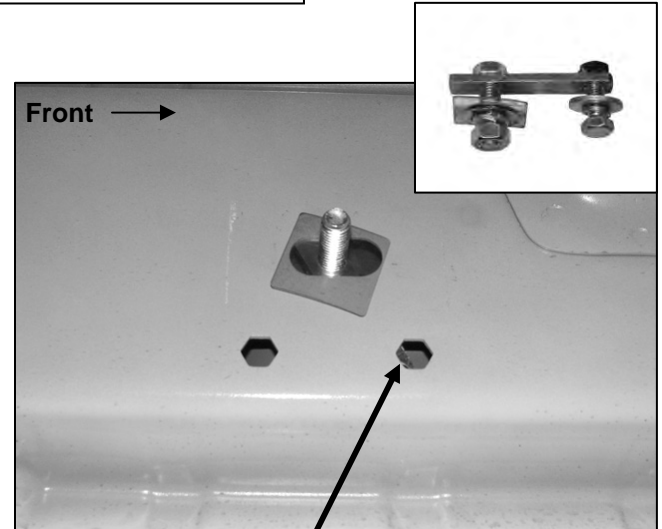
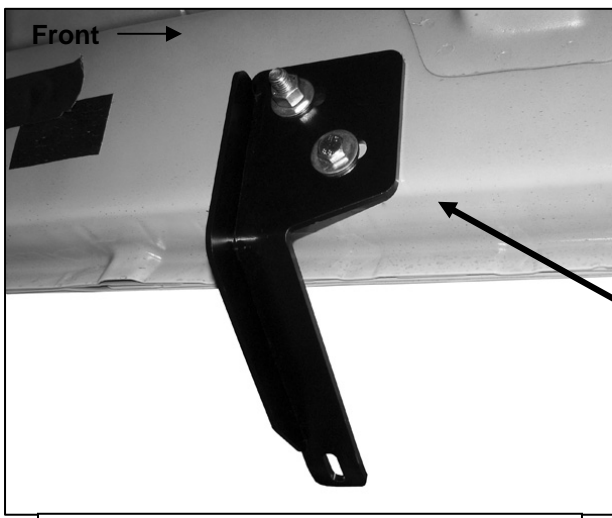


Fig 3

Remove the factory body mount bolt and washer, line up the slot in the driver side Support Bracket and reinstall the factory bolt and washer.



(Fig 4) Rotate Bolt and Nut plate to line up Nut with this hole in body panel. Center Mounting Bracket location pictured.

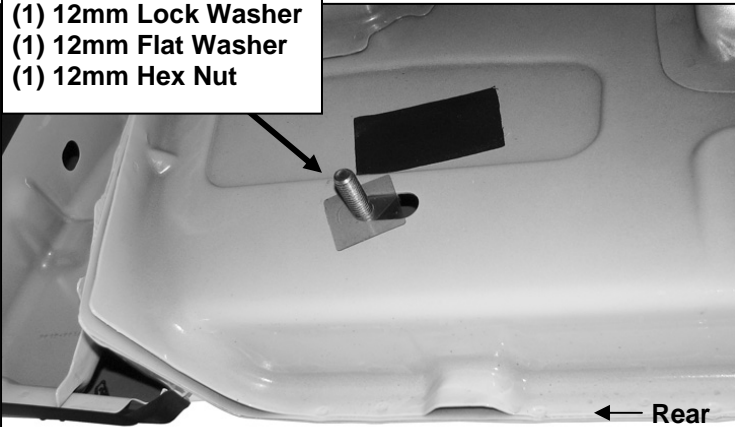


(Fig 5) Center Mounting Bracket pictured

- (1) Bolt and Nut Plate
- (1) 12mm Hex Nut
- (1) 12mm Lock Washer
- (1) 12mm Flat Washer
- (1) 10mm x 35mm Hex Bolt
- (1) 10mm Lock Washer
- (1) 10mm Flat washer

DRIVER SIDE INSTALLATION PICTURED

- (1) Bolt Plate w/12mm retainer
- (1) 12mm Lock Washer
- (1) 12mm Flat Washer
- (1) 12mm Hex Nut



(Fig 6) Rear mounting position pictured

Push rear Mounting Bracket up against the body as you tighten hardware

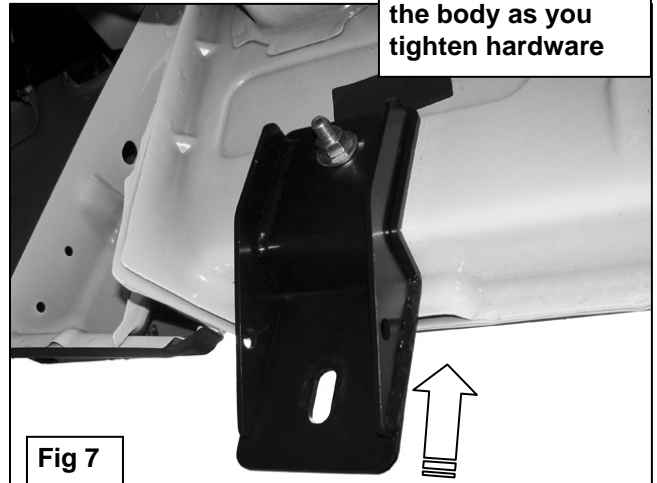


Fig 7

- (2) 10mm x 35mm Hex Bolts
- (2) 10mm Lock Washer
- (4) 10mm x 20mm Flat Washer
- (2) 10mm Hex Nut

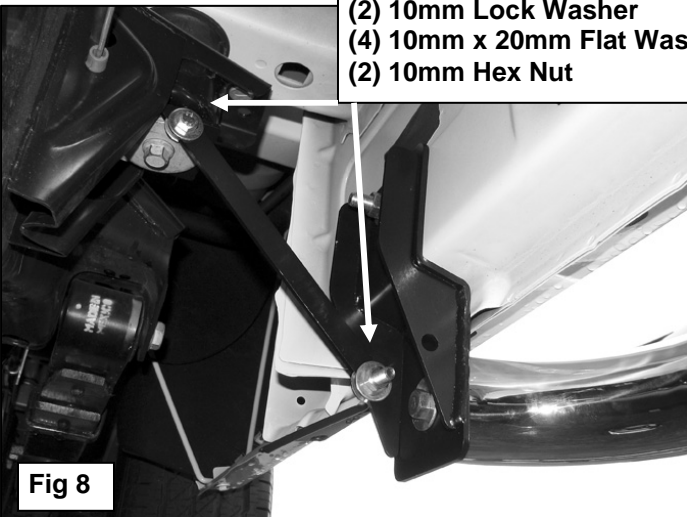


Fig 8



Fig 9

1/2" x 2" Hex Bolt
1/2" Flat Washer
1/2" Lock Washer

- 8mm x 25mm Hex Bolt
- 8mm Flat Washer
- 8mm Lock Washer

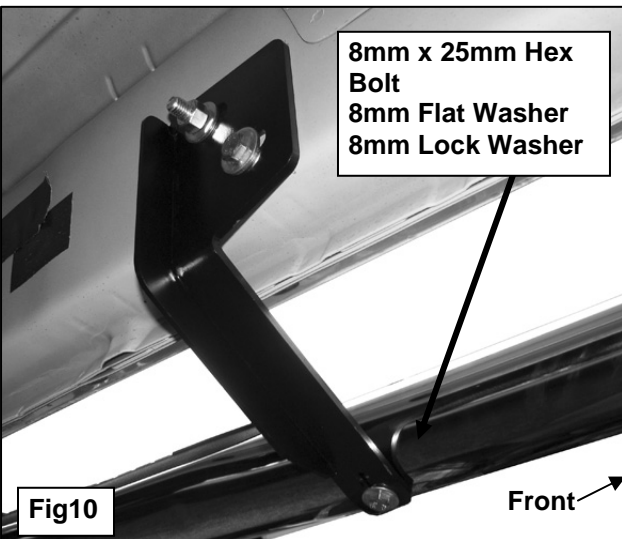


Fig10



Complete Installation

Cleaning and Maintenance

To protect your investment, wax this product after installing. Regular waxing is recommended to add a protective layer over the finish.

For stainless steel: aluminum polish may be used to polish small scratches and scuffs on the finish.

Mild soap,

window or glass cleaner may be used also.

For gloss black finishes. Mild soap, window and glass cleaner may be used. Do not use any type of polish or wax that contains abrasive that could damage the finish.

LIMITED WARRANTY

Smittybilt (The Company) warrants to the original purchaser of this product that should the product or any part thereof, under normal use and conditions, be proven defective in material or workmanship within the warranty period of 5 years from the date of purchase, such defect(s) will be repaired or replaced (At the Company's option) without charge for parts or labor. To obtain repair or replacement within the terms of the warranty, the product is to be delivered with proof of warranty coverage (e.g. dated bill of sale, receipt), specification of defect, freight pre-paid with Returns Good Authorization Number from Smittybilt to place of purchase. Items returned to Smittybilt Automotive without an Returns Authorization Number will be refused and returned to sender at the senders expense.

This warranty does not apply to any product or part thereof which, in the opinion of the Company, has suffered or been damaged through altercation, improper installation, mishandling, misuse, neglect accident or acts of nature. **THE EXTENT OF THE COMPANY'S LIABILITY UNDER THIS WARRANTY IS LIMITED TO THE REPAIR OR REPLACEMENT PROVIDED ABOVE AND, IN NO EVENT, SHALL THE COMPANY'S LIABILITY EXCEED THE PURCHASE PRICE PAID BY THE PURCHASER FOR THIS PRODUCT.**

This warranty is in lieu of all expressed warranties and liabilities. ANY IMPLIED WARRANTIES, INCLUDING ANY IMPLIED WARRANTY OF MERCHANTABILITY SHALL BE LIMITED TO THE DURATION OF THIS WRITTEN WARRANTY. ANY ACTION FOR BREACH OF ANY WARRANTY HEREUNDER INCLUDING ANY IMPLIED WARRANTY OF MERCHANTABILITY MUST BE BROUGHT WITHIN A PERIOD OF 90 DAYS FROM DATE OF ORIGINAL PURCHASE. IN NO CASE SHALL THE COMPANY BE LIABLE FOR ANY CONSEQUENTIAL OR INCIDENTAL DAMAGES FOR BREACH OF THIS OR ANY OTHER WARRANTY, EXPRESSED OR IMPLIED, WHATSOEVER. No person or representative is authorized to assume for the company any liability other than expressed herein in connection with the sale of this product. Some states do not allow limitations on how long an implied warranty lasts or the exclusion or limitation of incidental or consequential damage, therefore above limitations may not apply to you. This warranty gives the purchaser specific legal rights. The purchaser may have additional rights, which vary from state to state. Some states do not allow limitations on how long an implied warranty lasts or the exclusion or limitation of incidental or consequential damage, therefore above limitations may not apply to you. This warranty gives the purchaser specific legal rights. The purchaser may have additional rights, which vary from state to state.