



# INSTALLATION INSTRUCTIONS

FORCE 10 EXTREME BRAKE KITS A120-3, A120-6, A120-8, A120-9, A120-10

1964 1/2 - 69 MUSTANG

---

Thank you for choosing STAINLESS STEEL BRAKES CORPORATION for your braking needs. Please take the time to read and carefully follow these instructions to insure the ease of your installation as well as the proper performance of the complete system.

Before beginning your installation, please verify you have received all the parts indicated on the packing slip. If you believe anything to be missing or incorrect, please call our Customer Service Department at 716-759-8666.

To assure your installation will go safely and smoothly, have the following items on hand to assist you:

**JACK AND JACK STANDS**  
**TORQUE WRENCH**  
**TUBE WRENCHES**  
**MALLET**  
**WHEEL BEARING GREASE**

**LUG WRENCH**  
**SOCKET SET**  
**WRENCH SET**  
**BRAKE FLUID**  
**BRAKE CLEANER**

**TIP: BEFORE BEGINNING INSTALLATION, SPRAY ALL FITTINGS AND FASTENERS WITH PENETRATING OIL.**

### **Front Drum Brake Removal**

- 1) Raise the car until the wheels and tires clear the floor and support the car on jack stands. Remove the wheel covers or hub caps and remove the wheel and tire assemblies from the drums.
- 2) Remove the grease cap from the hub. Remove the cotter pin, nut lock, adjusting nut, and flat washer from the spindle. Remove the outer bearing.
- 3) Pull the hub and drum assembly from the spindle. If the brake drum will not come off easily, retract shoes by inserting a narrow screwdriver through the brake adjusting slot in the backing plate and disengage the adjusting lever from the adjusting screw. While holding the adjusting lever away from the adjusting screw, back off the adjuster.
- 4) Drain system of all the brake fluid as follows:
  - a) Remove master cylinder cover. Use a syringe to remove as much fluid from the master cylinder reservoir as possible.
  - b) Attach hoses to front bleeder screws and place other end of hose in a container. Open bleeder screw.



**BE CAREFUL NOT TO GET BRAKE FLUID ON THE PAINT. IT CAN CAUSE SEVERE DAMAGE!!**

- c) When fluid stops draining, disconnect the flexible hoses from the rigid brake line at the frame and remove horseshoe clips. Use plenty of penetrating oil between the tube nut and the mating fitting. We strongly recommend the use of a tube wrench available from any tool supply store including Sears.
- 5) Remove drum brake as follows:
  - a) Remove flexible hose from the back of both brake cylinders and remove brake cylinder.
  - b) Remove entire drum brake assembly as a unit by removing the four (4) bolts attaching the backing plate to the spindle flange. Discard assembly.
- 6) Installation of Conversion kit (refer to Figure II)
  - a) Install caliper mounting bracket on spindle. Make sure mounting bracket bosses face toward inside of car and the bracket and shield is for the correct side of the car (marked left or right). NOTE: Calipers will mount towards front of car.
  - b) Attach bracket to spindle with grade 8 bolts supplied in kit from the outside in so the head of the bolt is on the outside. Secure with locknuts and torque to 35-45 ft.-lbs.
  - c) Attach the secondary caliper mounting bracket to the main caliper bracket using the 7/16" - 14 x 1 1/2" bolts and lockwashers supplied. Torque to 50 - 60 ft/lbs.
- 7) Rotors, Hubs and Bearings
  - a) For this installation, the rotors will be bolted to the backside of the hubs. Lay the hub down with the lug studs pointing towards the ground and set the rotor over the backside of the hub. Align the holes in the rotor so the larger holes go over the flange on the back of the lugstuds and the smaller holes line up with the tapped holes in the hub. Secure the rotor to the back of the hub with the 1/2" - 20 bolts and lockwashers supplied. Torque to 65 - 70 ft/lbs.

- b) Remove the protective coating from the new rotor with brake cleaner (available at most parts stores).
- c) Pack the inner (larger) bearing with wheel bearing grease and place in inner cup (which is already in the rotor assembly). Pack grease lightly between the lips of the grease seal and install seal. Use a soft mallet or piece of wood so not to distort the seal while tapping into place.
- d) Install the rotor and hub assembly on the spindle.
- e) Pack and install the outer wheel bearing, washer and adjusting nut.
- f) The wheel bearing adjustment as follows is especially important with disc brakes: Rotate rotor while torquing spindle nut to 17-25 ft.-lbs. Back off the adjusting nut 1/2 turn and retighten to 10-15 ft.-lbs. Selectively position nut retainer on adjusting nut so a set of slots are in line with the cotter pin hole. Adjusting nut should not be rotated during this operation. Lock adjusting nut and retainer with cotter pin so that cotter pin does not interfere with static collector (if used).



**FOR THE BALANCE OF THESE INSTRUCTIONS, BE CAREFUL THAT ALL HYDRAULIC COMPONENTS ARE KEPT CLEAN AND FREE OF DEBRIS INSIDE AND OUT. REMEMBER DIRT IS THE ENEMY OF HYDRAULIC SYSTEMS AND SSBC WILL NOT BE RESPONSIBLE FOR SYSTEM FAILURES DUE TO AN UNCLEAN INSTALLATION!**

- 8) Installation of Calipers and Flex Lines
  - a) Install the stainless steel buttress clips into the 4 flat surfaces of the brake calipers.
  - b) Slide the brake pads in from the top with the lining material on the pads facing each other. Slide the pad pins in from the front sides making sure they pass through the holes in the brake pad backing plates. Install the retainer clips through the pad pins on the backside of the calipers.
  - c) Slide the calipers into position over the rotors and bolt them to the mounting brackets using the 7/16" bolts supplied. Torque to 45-50 ft/lbs.

***THERE WILL BE ONE UNUSED PORT IN THE DISTRIBUTION BLOCK. THIS PORT MUST BE CAPPED USING THE BRASS PLUG SUPPLIED IN THE KIT.***



**NOTE: For 64-1/2 cars only an additional adapter fitting will be required to reinstall the pressure switch for the brake lights. Available from SSBC part #A0813.**

- 9) Power Booster and Master Cylinder Installation A120-6 Power Conversion
  - a) Remove the steel brake line going from the master cylinder to the distribution block. Disconnect, but do not remove the steel line going from the distribution block to the rear brakes. Plug that port with the steel plug supplied with the kit.
  - b) From under the dash, disconnect the pushrod from the brake pedal. Remove the master cylinder/booster assembly by removing the mounting bolts and slide the assembly of the firewall.
  - c) Prepare the new booster for assembly by removing the master cylinder and threading the adjustable pushrod onto the back of the booster.

- d) Slide the new booster into position on the firewall and secure it using the original mounting bolts. **Note:** These bolts will be difficult to tighten. Due to the limited space they must be tightened using a wrench, but by working from top and bottom all the bolts can be tightened. Remember to connect the booster to a direct source of manifold vacuum.
  - e) With the booster secure, connect the new pushrod to the brake pedal using the original hardware. By turning the pushrod, its length can be adjusted to correctly position the pedal height.
  - f) Before installing the master cylinder onto the booster you **MUST** bench bleed the master cylinder per the separate instruction sheet.
  - g) The master cylinder will be slipped over the studs on the booster and secured with the nuts and washers provided.
  - h) The steel line with the two gold fittings and must be bent to connect the rear port of the master cylinder to the open port of the distribution block.
- 10) Proportioning Valve Installation
- a) Position the adjustable proportioning valve between distribution block and fire wall.



**APPROXIMATE CORRECT LOCATION OF THIS VALVE IS DETERMINED BY THE REAR SYSTEM PREBENT LINE (FROM KIT). BLACK FITTING FROM THIS LINE IS CONNECTED TO FRONT PORT OF MASTER CYLINDER (NEAREST FRONT BUMPER). GOLD FITTING IS CONNECTED TO PROPORTIONING VALVE.**

- b) Install adapter fittings into both ports of proportioning valve.
  - c) Install gold fitting of prebent line (see 10e. above) into “IN” port of proportioning valve.
  - d) Rebend front to rear brake line end and connect to “OUT” port of proportioning valve.
- 11) Filling and Bleeding system
- a) It is advisable to replace the brake fluid if the color is brown or muddy. This is due to water that has been absorbed by the fluid which will eventually corrode the brake lines and master cylinder. This absorbed moisture can also cause a vapor lock situation under extreme braking conditions. Flush system with clean brake fluid and replace with a good grade of disc brake fluid. DOT 3 or DOT 4 fluids are acceptable.
  - b) The simplest and most effective way to bleed your brakes is to use the gravity bleeding approach as follows:
    - 1) With calipers installed, make sure all fittings are tight and master cylinder is topped off.
    - 2) Open one bleeder screw at a time starting at the wheel farthest from the master cylinder and working your way back around the wheel closest to the master. With bleeder screw open, observe bleeder. At first the fluid will begin to escape with intermittent air bubbles. When the air bubbles stop and a steady flow of fluid is observed for several seconds, close the bleeder valve and move on to the next wheel.



**MAKE SURE TO KEEP A CLOSE WATCH OVER THE FLUID LEVEL INSIDE THE MASTER CYLINDER DURING THE BLEEDING PROCESS. NEVER LET THE RESERVOIR RUN DRY. ALWAYS KEEP IT AT LEAST 1/3 FULL.**

- 3) After bleeding both wheels and topping of the master cylinder make 20-30 applications of the brake pedal. If a hard pedal is experienced, no further bleeding is required. If pedal is spongy, repeat bleeding process until a hard pedal is achieved.

#### **FINAL INSPECTION**

- 12) Once a hard pedal is achieved, all fittings and connections must be inspected to make sure there are not leaks. Also, check the level in both reservoirs of the master cylinder and top off, if needed.
- 13) Put wheels back on the car and turn wheel by hand to insure that the wheel spins freely and does not interfere with any brake components. If any interferences are detected, **DO NOT** drive vehicle until problem can be identified and corrected.

**DO NOT DRIVE IN TRAFFIC UNTIL THE BRAKES SAFELY STOP THE CAR A SAFE DISTANCE WITHOUT A SPONGY PEDAL FEEL!**

**BRAKING TESTS SHOULD ALWAYS BE DONE IN A SAFE OPEN AREA!**

**TECH LINE** -- If technical help is required, please call 716-759-8666.

**NOW ENJOY TRUE PERFORMANCE BRAKING!**

**Booster / master cylinder for kit A120-6.**

**A28143**



Stainless Steel Brakes Corporation  
11470 Main Road  
Clarence, NY 14031  
(716) 759-8666  
Fax: (716) 759-8688  
www.ssbrakes.com  
tech@ssbrakes.com

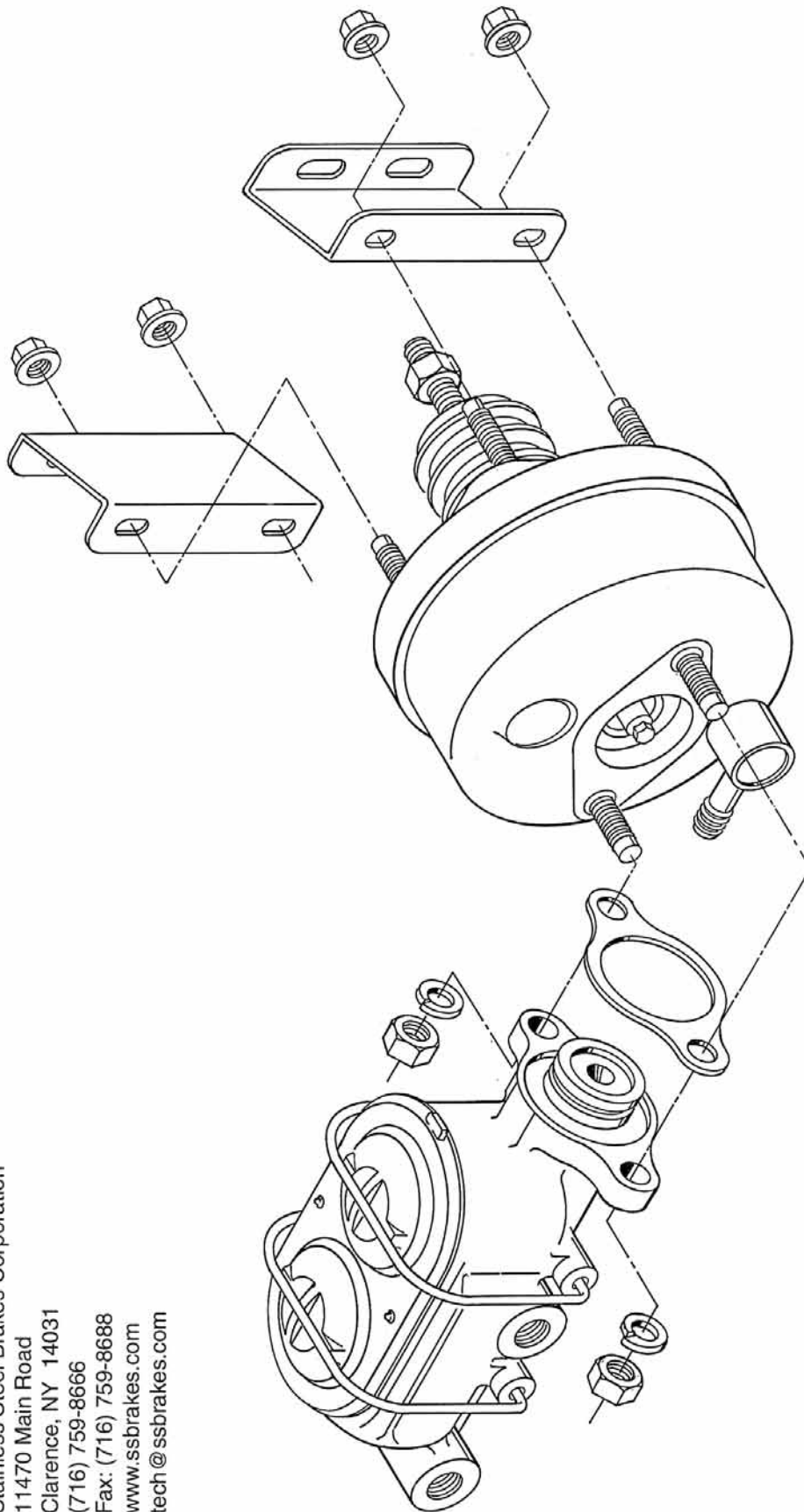




Photo 1



Photo 2



Photo 3



Photo 4



Photo 5



Photo 6



Photo 7



Photo 8





Photo 9

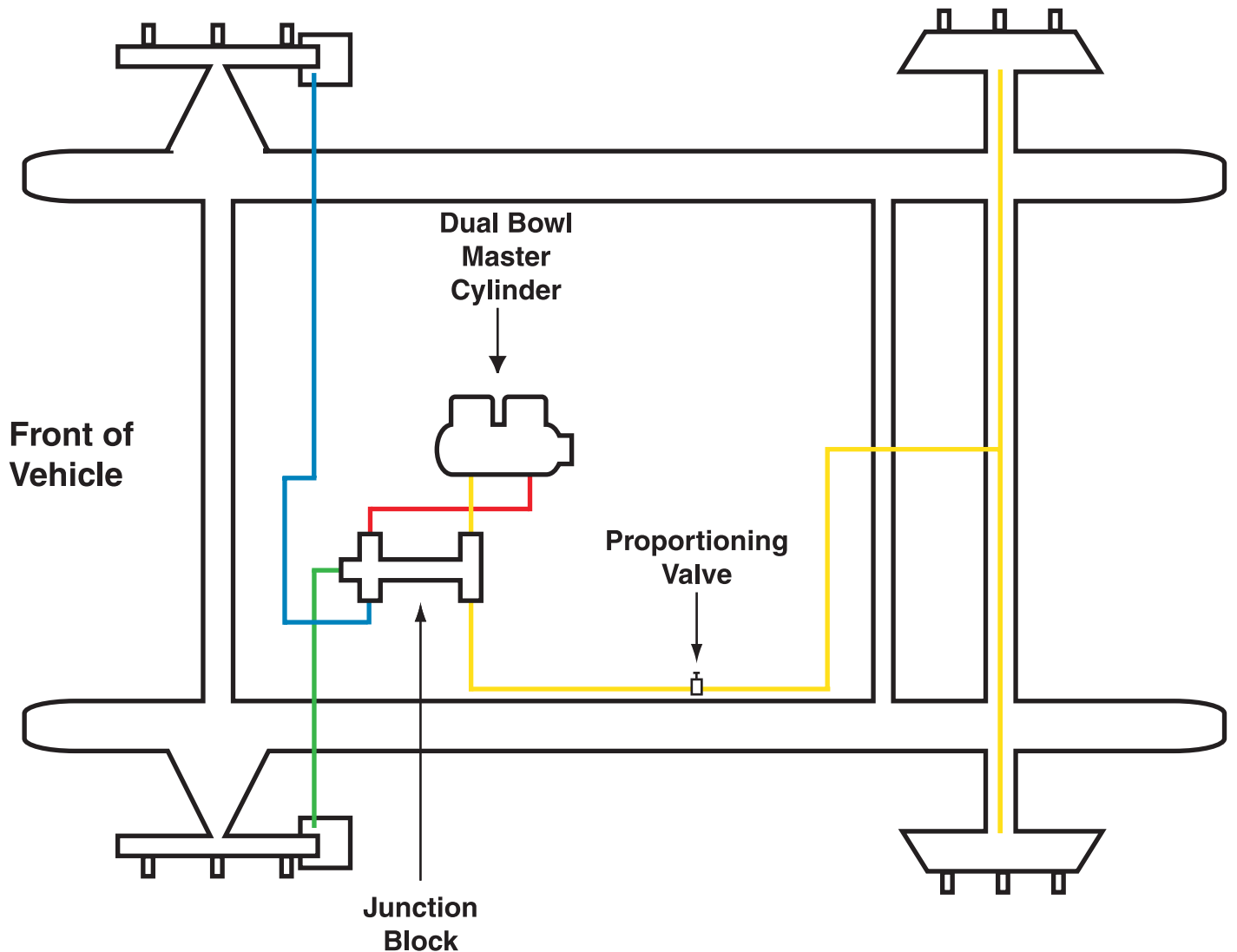


Photo 10



Photo 11

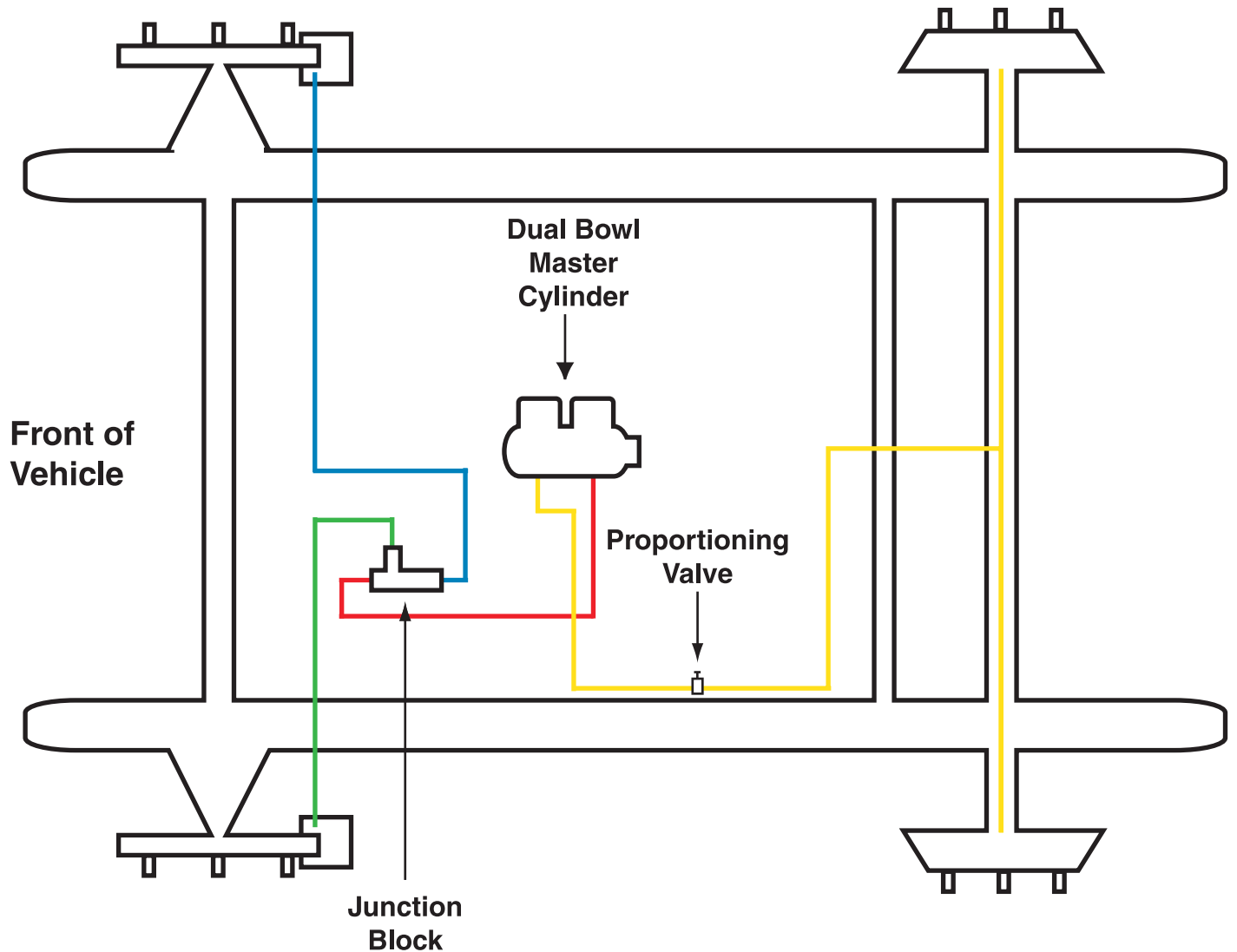
## Typical Brake Line Plumbing Diagram for vehicles with 5 port distribution block



Rear bowl of master cylinder goes to junction block, which then feeds the front brakes.

Front bowl of master cylinder goes to junction block, then goes through proportioning valve, which then feeds the rear brakes.

## Typical Brake Line Plumbing Diagram for vehicles without 5 port distribution block



Back bowl of master cylinder goes to junction block, which then feeds the front brakes.

Front bowl of master cylinder goes to proportioning valve, which then feeds the rear brakes.

# Solutions Guide

to commonly asked questions.

## Why is my brake pedal soft?

1) In most cases, Air is trapped in the lines or calipers. Try re-bleeding the system. Do not force new fluid into new brake lines. It may foam and be very difficult to bleed. **Make sure that the bleeder screws on the calipers are facing upward!**

2) If all the air is out of the system, the pushrod from the booster may need adjustment, under the dash, to make it longer. Do not extend it too long or it will not allow the fluid to return, causing brakes to drag. Your pushrod may not be adjustable. If the pushrod can be made longer, try ¼ turn adjustments at a time. SSBC stocks adjustable pushrods for many vehicles. In addition, the pushrod between the Booster and the Master Cylinder may need adjustment. Not all Booster to Master pushrods are adjustable.

3) You may have a bad Master Cylinder. Before you determine this, you should make sure that all the air is out of the system. When installing a new Master Cylinder, always bench bleed first. If you did not, take off the Master Cylinder and bench bleed it. (See Bench Bleeding Instructions below)

## Why does the car pull to one side?

The side that the car is pulling to is the caliper that is working. Re-bleed the opposite side and try carefully stopping again.

## Why does it feel like there is no Power Assist?

The Booster may not be getting enough vacuum to operate. On some high lift cams, the engine does not develop enough vacuum. The Booster needs at least 16" of vacuum to operate correctly at idle. If you do not have at least 16 inches of vacuum at idle, you may have to add a vacuum pump to your system.

Check for vacuum leaks. There may be leaks in the intake manifold or hoses that would cause low vacuum. The Booster may be bad. Do a vacuum test. If the Booster can retain a vacuum for three (3) minutes after the vehicle is shut off, it is not a bad Booster (refer to steps 1 & 2). All Master Cylinders must be bench bled in a vise before being installed on the vehicle.

## How do you bench bleed a Master Cylinder?

Secure one of the ears in a vise so that you can take a large screwdriver and push the piston in. Fill the reservoir with clean fluid. Take a dummy line or our M/C bleeding kit and hook it up to the two ports. Front line to front and rear line to rear reservoirs. Slowly stroke the master and let it return slowly. You should see many air bubbles in the fluid. Repeat this step until you do not see any more air bubbles. SSBC recommends ten (10) slow pumping strokes after you see no more air bubbles. This will insure a good hard pedal. (See SSBC part #0460 Instruction Sheet)

## What is the best pad for my vehicle?

Your choice of pads should be determined by how and where you drive the vehicle. If you drive in heavy stop and go traffic you would need a different pad than someone who is road racing. Contact SSBC for the correct application.

## How often should brake fluid be changed? (street application only, not racing)

When brake fluid turns brown, it is time to change the fluid. The brown color indicates that the fluid has absorbed water and dirt. D.O.T. #3 & #4 fluids absorb water. Silicone brake fluid is not for track racing.

## How can I tell which reservoir is the front or rear of the Master Cylinder?

The front reservoir is usually larger than the rear. In some cases, they are the same size. As a rule, for GM cars & trucks, the rear reservoir is for the rear brakes. On Ford cars & trucks, the front reservoir is for the rear brakes. On front wheel drive vehicles, the brakes are split diagonally. Each bowl of the master cylinder services one front wheel and one rear wheel. This will be important if you are installing a distribution block, proportioning valve, or residual valve. Hint: The larger bowl will feed the disc brakes.

## Where is the best place to install a proportioning valve?

The best place to install a proportioning valve is after the distribution block. **Do Not install it between the Distribution Block and the Master Cylinder.** You will not be able to get a hard pedal. Anywhere after the Distribution Block and before the rear flex hose is acceptable for installation.

## Why should the flex hoses be replaced? They look O.K. from the outside.

Flex hoses should be replaced every time the calipers are serviced. They flex up and down, just like a shock absorber. They are also under high pressure internally. Flex hoses have a rubber liner that will collapse over time. If it does collapse, it will act as a check valve and not allow fluid to return to the Master Cylinder.

## Will my pedal get harder by replacing the flex hoses?

No. When the flex hoses are replaced, re-bleed the brake system. Normally what happens is that bleeding causes a harder brake pedal. A better bleeding job and taking your time will result in the same situation.

## Are the rubber flex hoses expanding causing a soft pedal?

Not likely. A soft pedal is usually a sign of air in the system due to poor bleeding. Flex hoses have nylon webbing that is molded into the internal rubber. It is very strong and will hold up to 3,000 P.S.I. Installing braided stainless steel hoses is not necessary; it only improves appearance.

## How much brake pressure does it take to stop my vehicle?

Most vehicles, power or non power brake, develop 1,200 P.S.I. When you panic stop or jump on the brakes hard, a surge of 1,400 P.S.I. can be achieved. If a factory proportioning valve installed on the vehicle, the rear brakes are only developing 600 – 700 P.S.I. Drum brakes require lower pressure because they grab more quickly. When rear disc brakes are installed, the rear brake pressure may be increased to 800 – 1,000 P.S.I. or more. A good way to check the pressures and to see if the system is working correctly, use a pressure gauge screwed into the bleeder port (SSBC part # A1704). A vehicle with less than 600 P.S.I. will not stop!

## How tight should the wheel bearings be?

The front bearings should always be torqued. Not just hand tightened. Bearings usually require 12-15 Ft./Lbs. of torque. Then you will probably need to back off a little to align the cotter pin hole. Do Not over tighten; the bearing life will be shortened. This procedure only applies to rear wheel drive vehicles with separate bearings and races. On vehicles with one piece sealed bearing assemblies or hub assemblies, refer to a service manual.

## What type of differential fluid should I use in my rear axle?

If you have positraction, use a Hypoid or Limited Slip additive that is designed for your particular rear end. If you do not have positraction, any type of 80 –90 weight gear lube is acceptable. Fluid should be changed often if you are trailering or any type of extreme usage. This fluid does brake down with time and usage.

| SSBC Kit # | SSBC Pad # | FMSI # | SSBC Kit # | SSBC Pad # | FMSI # | SSBC Kit # | SSBC Pad # | FMSI # | SSBC Kit # | SSBC Pad # | FMSI # |
|------------|------------|--------|------------|------------|--------|------------|------------|--------|------------|------------|--------|
| A109       | 1012       | D-8    | A112-2     | 1047       | D-347  | A121P-A    | A1033      | *      | A125-5     | 1047       | D-347  |
| A109-1     | 10108      | D-531  | A112-3     | 1071       | D-412  | A121P-M    | A1033      | *      | A125-6     | 1047       | D-347  |
| A109AF     | 10128      | D-531  | A112-4     | 1047       | D-347  | A123       | 1050       | D-52   | A125-7     | 1047       | D-347  |
| A109AR     | 10128      | D-531  | A112-5     | 1061-1     | D199   | A123-1     | 1050       | D-52   | A125-8     | 10128      | D-531  |
| A109S      | 1012       | D-8    | A112-6     | 10128      | D-531  | A123-13    | 1095       | D-731  | A125-9     | 10128      | D-531  |
| A110       | 1049       | D-204  | A112-7     | 1071       | D-412  | A123-14    | 1095       | D-731  | A125-F     | 1047       | D-347  |
| A110-10    | 10129      | D-43   | A112-8     | 10128      | D-531  | A123-15    | 10116      | D-749  | A125P      | 1047       | D-347  |
| A110-11    | 10113      | D-154  | A112-9     | 1015       | D-52   | A123-16    | 10116      | D-749  | A126       | 1070P      | D-413  |
| A110-12    | 10113      | D-154  | A112-93    | 1047       | D-347  | A123-17    | 1095       | D-731  | A126-1     | 1047       | D-347  |
| A110-13    | 1015       | D-52   | A113       | 1071       | D-412  | A123-18    | 1095       | D-731  | A126-10    | 1015       | D-52   |
| A110-14    | 10135      | D-137  | A113-1     | 1071       | D-412  | A123-1A    | 1015       | D-52   | A126-11    | 1015       | D-52   |
| A110-15    | 1095       | D-731  | A113-10    | 1071       | D-412  | A123-1C    | 1050       | D-52   | A126-12    | 1015       | D-52   |
| A110-16    | 10128      | D-531  | A113-11    | 1015       | D-52   | A123-2     | 1071       | D-412  | A126-13    | 1094A      | D-370  |
| A110-17    | 10128      | D-531  | A113-12    | 1095       | D-731  | A123-3     | 1050       | D-52   | A126-14    | 1094A      | D-370  |
| A110-18    | 1047       | D-347  | A113-4     | 10128      | D-531  | A123-3A    | 1015       | D-52   | A126-15    | 1094A      | D-370  |
| A110-19    | 10113      | D-154  | A113-5     | 1015       | D-52   | A123-4     | 1050       | D-52   | A126-16    | 1094A      | D-370  |
| A110-2     | 1047       | D-347  | A113-6     | 10128      | D-531  | A123-4A    | 1015       | D-52   | A126-17    | 1094A      | D-370  |
| A110-3     | 10128      | D-531  | A113-7     | 10128      | D-531  | A123-5     | 1050       | D-52   | A126-18    | 1015       | D-52   |
| A110-4     | 10128      | D-531  | A113-8     | 1070       | D-413  | A123-58    | 1050       | D-52   | A126-19    | 1094A      | D-370  |
| A110-5     | 1015       | D-52   | A113-9     | 10128      | D-531  | A123-58A   | 1015       | D-52   | A126-2     | 1047       | D-347  |
| A110-6     | 1015       | D-52   | A114       | 1047       | D-347  | A123-59    | 1050       | D-52   | A126-20    | 1015       | D-52   |
| A110-7     | 10110      | D-11   | A115       | 1047       | D-347  | A123-59A   | 1015       | D-52   | A126-21    | 10129      | D-43   |
| A110-8     | 10110      | D-11   | A116       | 1049       | D-204  | A123-5A    | 1015       | D-52   | A126-22    | 10128      | D-531  |
| A110-9     | 10129      | D-43   | A117       | 1047       | D-347  | A123-6     | 1071       | D-412  | A126-23    | 10128      | D-531  |
| A111       | 1049       | D-204  | A117-1     | 1047       | D-347  | A123-67    | 1071       | D-412  | A126-24    | 10128      | D-531  |
| A111-10    | 1015       | D-52   | A117-10    | 10113      | D-154  | A123-68    | 1071       | D-412  | A126-25    | 10128      | D-531  |
| A111-11    | 1015       | D-52   | A117-11    | 1095       | D-731  | A123-69    | 1071       | D-412  | A126-26    | 10128      | D-531  |
| A111-12    | 10110      | D-11   | A117-12    | 1095       | D-731  | A123-6A    | 1071       | D-412  | A126-27    | 10128      | D-531  |
| A111-13    | 10110      | D-11   | A117-13    | 10113      | D-154  | A123-7     | 10128      | D-531  | A126-28    | 10128      | D-531  |
| A111-14    | 10110      | D-11   | A117-14    | 10113      | D-154  | A123-8     | 10128      | D-531  | A126-29    | 10128      | D-531  |
| A111-15    | 10110      | D-11   | A117-15    | 10113      | D-154  | A123-9     | 10128      | D-531  | A126-3     | A1094B     | *      |
| A111-16    | 10129      | D-43   | A117-2     | 1047       | D-347  | A123-A     | 1015       | D-52   | A126-30    | 10128      | D-531  |
| A111-17    | 10129      | D-43   | A117-3     | 1071       | D-412  | A124       | 1047       | D-347  | A126-31    | 10128      | D-531  |
| A111-18    | 10129      | D-43   | A117-4     | 1071       | D-412  | A125       | 1047       | D-347  | A126-32    | 1015       | D-52   |
| A111-19    | 10129      | D-43   | A117-5     | 10128      | D-531  | A125-1     | 1047       | D-347  | A126-33    | 10128      | D-531  |
| A111-2     | 1047       | D-347  | A117-6     | 10128      | D-531  | A125-10    | 10128      | D-531  | A126-34    | 10128      | D-531  |
| A111-20    | 10113      | D-154  | A117-7     | 10128      | D-531  | A125-11    | 10128      | D-531  | A126-35    | 10128      | D-531  |
| A111-21    | 10113      | D-154  | A117-8     | 1047       | D-347  | A125-12    | 10128      | D-531  | A126-37    | 1095       | D-731  |
| A111-22    | 10113      | D-154  | A117-9     | 1095       | D-731  | A125-13    | 10128      | D-531  | A126-38    | 1095       | D-731  |
| A111-23    | 10113      | D-154  | A118       | 1049       | D-204  | A125-14    | 1015       | D-52   | A126-39    | 1095       | D-731  |
| A111-24    | 1015       | D-52   | A120       | A1033      | *      | A125-15    | 1015       | D-52   | A126-4     | A1094B     | *      |
| A111-25    | 10135      | D-137  | A120-10    | 10128      | D-531  | A125-16    | 1015       | D-52   | A126-40    | 10126      | D-834  |
| A111-26    | 1095       | D-731  | A120-11    | 10128      | D-531  | A125-17    | 1015       | D-52   | A126-41    | 10126      | D-834  |
| A111-27    | 10128      | D-531  | A120-12    | 10128      | D-531  | A125-18    | 10110      | D-11   | A126-46    | 10126      | D-834  |
| A111-28    | 1015       | D-52   | A120-2     | 10110      | D-11   | A125-19    | 10110      | D-11   | A126-5     | 1047       | D-347  |
| A111-29    | 10129      | D-43   | A120-2P    | 10110      | D-11   | A125-1F    | 1047       | D-347  | A126-51    | 1047       | D-347  |
| A111-3     | 10135      | D-137  | A120-2PO   | 10129      | D-43   | A125-2     | 1047       | D-347  | A126-6     | 1050       | D-52   |
| A111-30    | 1095       | D-731  | A120-2PPO  | 10129      | D-43   | A125-20    | 10110      | D-11   | A126-61    | 1050       | D-52   |
| A111-31    | 10128      | D-531  | A120-3     | 10128      | D-531  | A125-21    | 10128      | D-531  | A126-7     | 1094       | D-369  |
| A111-32    | 10128      | D-531  | A120-4     | 10144      | D-289  | A125-22    | 10129      | D-43   | A126-71    | 1094       | D-369  |
| A111-33    | 10128      | D-531  | A120-5     | 10144      | D-289  | A125-23    | 10129      | D-43   | A126-71A   | A1094      | *      |
| A111-4     | 10128      | D-531  | A120-6     | 10128      | D-531  | A125-24    | 10129      | D-43   | A126-7A    | A1094      | *      |
| A111-5     | 10128      | D-531  | A120-7     | 10128      | D-531  | A125-25    | 10129      | D-43   | A126-8     | 1094       | D-369  |
| A111-6     | 10128      | D-531  | A120-7A    | 10128      | D-531  | A125-26    | 10113      | D-154  | A126-9     | 1049       | D-204  |
| A111-7     | 10128      | D-531  | A120-7M    | 10128      | D-531  | A125-27    | 10113      | D-154  | A127       | 1047       | D-347  |
| A111-8     | A1015-3    | *      | A120-8     | 10128      | D-531  | A125-28    | 10113      | D-154  | A127-1     | 10128      | D-531  |
| A111-9     | 1015       | D-52   | A120-9     | 10128      | D-531  | A125-29    | 10113      | D-154  | A127-2     | 1070       | D-413  |
| A112       | 1047       | D-347  | A120D      | A1033      | *      | A125-29    | 1047       | D-347  | A127-3     | 1071       | D-412  |
| A112-1     | 1047       | D-347  | A120P      | A1033      | *      | A125-30    | 10113      | D-154  | A127-4     | 10128      | D-531  |
| A112-11    | 1095       | D-731  | A121       | A1033      | *      | A125-31    | 1015       | D-52   | A127-5     | 10128      | D-531  |
| A112-12    | 1095       | D-731  | A121-2P    | 10110      | D-11   | A125-32    | 1015       | D-52   | A127-6     | 1015       | D-52   |
| A112-13    | 10113      | D-154  | A121-2PA   | 10110      | D-11   | A125-33    | 10135      | D-137  | A127-7     | 1047       | D-347  |
| A112-14    | 1047       | D-347  | A121-2PAPO | 10110      | D-11   | A125-34    | 1095       | D-731  | A127-8     | 1015       | D-52   |
| A112-15    | 1047       | D-347  | A121-2PM   | 10110      | D-11   | A125-35    | 10128      | D-531  | A127-9     | 1047       | D-347  |
| A112-16    | 1095       | D-731  | A121-2PMPO | A10129     | *      | A125-36    | 10128      | D-531  | A128       | 1047       | D-347  |
| A112-17    | 10133-1    | D-784  | A121P      | A1033      | *      | A125-4     | 1047       | D-347  | A128-1     | 1047       | D-347  |

**\*RE-ORDER PADS DIRECTLY FROM SSBC**

| SSBC Kit # | SSBC Pad # | FMSI # | SSBC Kit # | SSBC Pad # | FMSI # | SSBC Kit # | SSBC Pad # | FMSI # | SSBC Kit # | SSBC Pad # | FMSI # |
|------------|------------|--------|------------|------------|--------|------------|------------|--------|------------|------------|--------|
| A128-2     | 1047       | D-347  | A141       | 1084-2     | D-154  | A148-7G    | 10110      | D-11   | A164-12    | 10128      | D-531  |
| A128-3     | 1049       | D-204  | A141-1     | 1071       | D-412  | A148-7GE   | 10129      | D-43   | A164-13    | 10129      | D-43   |
| A128-4     | 1047       | D-347  | A142       | 1050       | D-52   | A148-A     | 10113      | D-154  | A164-14    | 10128      | D-531  |
| A128-5     | 1049       | D-204  | A142-1     | 1071       | D-412  | A150       | 1047       | D-347  | A164-15    | 10126      | D-834  |
| A128-6     | 1047       | D-347  | A143       | 1084-2     | D-154  | A150-1     | 1047       | D-347  | A164-16    | 10128      | D-531  |
| A128-7     | 1047       | D-347  | A143-1     | 1071       | D-412  | A150-2     | 1047       | D-347  | A164-17    | 10126      | D-834  |
| A129       | 1050       | D-52   | A143-5     | 1084       | D-154  | A151       | 1071       | D-412  | A164-2     | 10128      | D-531  |
| A129-1     | 1050       | D-52   | A143-58    | 1084       | D-154  | A151-1     | 10113      | D-154  | A164-3     | 10128      | D-531  |
| A129-10    | 10128      | D-531  | A143-59    | 1084       | D-154  | A151-2     | 1095       | D-731  | A164-4     | 10128      | D-531  |
| A129-12    | 1050       | D-52   | A144       | 1084-2     | D-154  | A152       | A1033      | *      | A164-5     | 10128      | D-531  |
| A129-13    | 1050       | D-52   | A144-1     | 1071       | D-412  | A152-1     | 10110      | D-11   | A164-6     | 10128      | D-531  |
| A129-1A    | 1015       | D-52   | A145       | 1084-2     | D-154  | A153       | A1033      | *      | A164-7     | 10128      | D-531  |
| A129-2     | 1050       | D-52   | A145-1     | 1071       | D-412  | A153-1     | A1033      | *      | A164-8     | 10128      | D-531  |
| A129-20    | 10128      | D-531  | A146       | 1071       | D-412  | A153-2     | 10110      | D-11   | A164-9     | 10128      | D-531  |
| A129-22    | 1095       | D-731  | A146-1     | 1084-2     | D-154  | A153-3     | 10110      | D-11   | A165       | 10128      | D-531  |
| A129-23    | 10128      | D-531  | A148       | 1084-2     | D-154  | A154       | A1033      | *      | A165-1     | 10128      | D-531  |
| A129-24    | 1095       | D-731  | A148-1     | 1084-2     | D-154  | A154-1     | A1033      | *      | A165-2     | 1095       | D-731  |
| A129-2A    | 1015       | D-52   | A148-14    | 1050       | D-52   | A154-2     | 10110      | D-11   | A165-3     | 1095       | D-731  |
| A129-3     | 1050       | D-52   | A148-14A   | 1015       | D-52   | A154-3     | 10110      | D-11   | A165-4     | 10133-1    | D-784  |
| A129-3A    | 1015       | D-52   | A148-15    | 1050       | D-52   | A154-4     | A1033      | *      | A166-1     | 1015       | D-52   |
| A129-4     | 1050       | D-52   | A148-15A   | 1015       | D-52   | A154-5     | A1033      | *      | A166-10    | 1015       | D-52   |
| A129-4A    | 1015       | D-52   | A148-16    | 1050       | D-52   | A154-6     | 1095       | D-731  | A166-13    | 1015       | D-52   |
| A129-5     | 1071       | D-412  | A148-16A   | 1015       | D-52   | A155       | 1047       | D-347  | A166-14    | 1015       | D-52   |
| A129-6     | 10128      | D-531  | A148-17    | 1050       | D-52   | A155-1     | 1047       | D-347  | A166-15    | 10128      | D-531  |
| A129-8     | 10128      | D-531  | A148-17A   | 1015       | D-52   | A155-2     | 1047       | D-347  | A166-16    | 1015       | D-52   |
| A129-A     | 1015       | D-52   | A148-18    | 1050       | D-52   | A156       | A1033      | *      | A166-17    | 1015       | D-52   |
| A130       | 1047       | D-347  | A148-18A   | 1015       | D-52   | A156-1     | A1033      | *      | A166-18    | 10128      | D-531  |
| A130-1     | 1047       | D-347  | A148-1A    | 10113      | D-154  | A156-2     | 10110      | D-11   | A166-19    | 1015       | D-52   |
| A130-2     | 1047       | D-347  | A148-2     | A1033      | *      | A156-3     | 10110      | D-11   | A166-1A    | 1015       | D-52   |
| A132       | 1046       | D-34   | A148-22    | 1050       | D-52   | A156-4     | 1095       | D-731  | A166-2     | 10128      | D-531  |
| A132-1     | 1046       | D-34   | A148-23    | 10110      | D-11   | A157       | 1047       | D-347  | A166-20    | 1015       | D-52   |
| A132-A     | 1046       | D-34   | A148-23FS  | 10110      | D-11   | A157-1     | 10128      | D-531  | A166-21    | 10108      | D-531  |
| A132-M     | 1046       | D-34   | A148-23FSE | 10129      | D-43   | A157-2     | 10128      | D-531  | A166-22    | 1047       | D-347  |
| A133       | 1046       | D-34   | A148-23RS  | 10110      | D-11   | A158       | 1047       | D-347  | A166-23    | A1015-3    | *      |
| A133-1     | 1046       | D-34   | A148-23RSE | 10129      | D-43   | A158-1     | 1047       | D-347  | A166-24    | 1015       | D-52   |
| A133-2     | A1033      | *      | A148-24FSE | 10129      | D-43   | A158-2     | 1094A      | D-370  | A166-25    | 1047       | D-347  |
| A133-2P    | A1033      | *      | A148-24RS  | 10110      | D-11   | A158-3     | 1094A      | D-370  | A166-26    | 1047       | D-347  |
| A133-3     | 10110      | D-11   | A148-24RSE | 10129      | D-43   | A158-4     | 10128      | D-531  | A166-27    | 1047       | D-347  |
| A133-3P    | 10110      | D-11   | A148-25FSE | 10129      | D-43   | A159       | 10100      | D-268  | A166-28    | 1047       | D-347  |
| A133-3PO   | 10129      | D-43   | A148-25RSE | 10129      | D-43   | A159-1     | 1094A      | D-370  | A166-29    | 1047       | D-347  |
| A134       | 1046       | D-34   | A148-26    | 10128      | D-531  | A160       | 10128      | D-531  | A166-3     | 1015       | D-52   |
| A134-1     | 1046       | D-34   | A148-26FS  | 10128      | D-531  | A160-1     | 1047       | D-347  | A166-30    | 1047       | D-347  |
| A134-1P    | 10110      | D-11   | A148-26RS  | 10128      | D-531  | A160-2     | 1015       | D-52   | A166-3A    | 1015       | D-52   |
| A134-1PPO  | 10110      | D-11   | A148-27    | 10128      | D-531  | A160-3     | 1015       | D-52   | A166-4     | 10128      | D-531  |
| A135       | 1050       | D-52   | A148-27FS  | 10128      | D-531  | A160-4     | 1047       | D-347  | A166-5     | 1015       | D-52   |
| A135-1     | 1094A      | D-370  | A148-27RS  | 10128      | D-531  | A161       | 1015       | D-52   | A166-6     | 1015       | D-52   |
| A135-1A    | A1094      | *      | A148-28    | 10128      | D-531  | A161-1     | 1047       | D-347  | A166-7     | 1015       | D-52   |
| A135-2     | 1094       | D-369  | A148-29    | 10128      | D-531  | A161-2     | 1015       | D-52   | A166-8     | 1015       | D-52   |
| A135-3     | 10110      | D-11   | A148-3     | A1033      | *      | A162       | 1095       | D-731  | A166-9     | 10128      | D-531  |
| A136       | 1047       | D-347  | A148-30    | 10110      | D-11   | A162-1     | 10113      | D-154  | A167       | 1015       | D-52   |
| A136-1     | 1047       | D-347  | A148-30E   | 10129      | D-43   | A162-2     | 1095       | D-731  | A167-1     | 1015       | D-52   |
| A137       | 1012       | D-8    | A148-31    | 1084-2     | D-154  | A162-3     | 10113      | D-154  | A167-2     | 10128      | D-531  |
| A137-1     | 1050       | D-52   | A148-31A   | 10113      | D-154  | A163       | 1015       | D-52   | A167-3     | 1015       | D-52   |
| A137-1A    | 1015       | D-52   | A148-32    | 1084-2     | D-154  | A163-1     | 1047       | D-347  | A167-4     | 1015       | D-52   |
| A137-2     | 10128      | D-531  | A148-32A   | 10113      | D-154  | A163-2     | 1015       | D-52   | A167-5     | 10128      | D-531  |
| A137-3     | 1050       | D-52   | A148-33    | 1095       | D-731  | A163-3     | 1015       | D-52   | A168       | 1015       | D-52   |
| A137-3A    | 1015       | D-52   | A148-34    | 1095       | D-731  | A163-4     | 1047       | D-347  | A168-1     | 1015       | D-52   |
| A138       | 1084-2     | D-154  | A148-4     | 10110      | D-11   | A163-5     | 1015       | D-52   | A168-10    | 1015       | D-52   |
| A138-1     | 1084-2     | D-154  | A148-4E    | 10129      | D-43   | A163-6     | 10113      | D-154  | A168-11    | 1015       | D-52   |
| A138-1A    | 10113      | D-154  | A148-5     | 10110      | D-11   | A163-7     | 10113      | D-154  | A168-2     | 10128      | D-531  |
| A138-2     | 1050       | D-52   | A148-6F    | A1033      | *      | A163-8     | 10113      | D-154  | A168-3     | 1015       | D-52   |
| A138-3     | 1050       | D-52   | A148-6FE   | 10129      | D-43   | A163-9     | 10113      | D-154  | A168-4     | 1015       | D-52   |
| A138-4     | 1050       | D-52   | A148-6G    | A1033      | *      | A164       | 10128      | D-531  | A168-5     | 10128      | D-531  |
| A138-A     | 10113      | D-154  | A148-6GE   | 10129      | D-43   | A164-1     | 10128      | D-531  | A168-6     | 1015       | D-52   |
| A140       | 1084-2     | D-154  | A148-7F    | 10110      | D-11   | A164-10    | 10128      | D-531  | A168-7     | 1015       | D-52   |
| A140-1     | 10128      | D-531  | A148-7FE   | 10129      | D-43   | A164-11    | 10128      | D-531  | A168-8     | 10128      | D-531  |

**\*RE-ORDER PADS DIRECTLY FROM SSBC**

| SSBC Kit # | SSBC Pad # | FMSI # | SSBC Kit # | SSBC Pad #          | FMSI #             |
|------------|------------|--------|------------|---------------------|--------------------|
| A170       | 1015       | D-52   | A2350014   | 10116               | D-749              |
| A170-1     | 10128      | D-531  | A2350014R  | 10117               | D-750              |
| A171       | 1015       | D-52   | A2351000   | 1015                | D-52               |
| A171-1     | 1015       | D-52   | A2351001   | 1015                | D-52               |
| A171-2     | 10128      | D-531  | A2351002   | 1015                | D-52               |
| A171-3     | 1047       | D-347  | A2351003   | 10100               | D-368              |
| A172       | 1015       | D-52   | A2351004   | 1094                | D-369              |
| A172-1     | 1015       | D-52   | A2351005   | 1094                | D-369              |
| A172-2     | 1047       | D-347  | A2351006   | 1094                | D-369              |
| A172-3     | 1015       | D-52   | A2351007   | 1015                | D-52               |
| A172-4     | 1015       | D-52   | A2351008   | 10100               | D-368              |
| A172-5     | 1015       | D-52   | A2351009   | 1094                | D-369              |
| A172-6     | 1015       | D-52   | A2351010   | 1094                | D-369              |
| A173       | 10128      | D-531  | A2351011   | 1015                | D-52               |
| A173-1     | 10128      | D-531  | A2351012   | 1094                | D-369              |
| A173-3     | A10135     | *      | A2351013   | 1015                | D-52               |
| A174       | 1015       | D-52   | A2351014   | 1094                | D-369              |
| A174-1     | 1015       | D-52   | A2351015   | 1015                | D-52               |
| A180-M     | 1015       | D-52   | A2351016   | 1094                | D-369              |
| A180-S     | 1015       | D-52   | A2351017   | 10113               | D-154              |
| A181       | 10113      | D-154  | A2351018   | 10113               | D-154              |
| A182       | 10113      | D-154  | A2351019   | 10118(F) 10119(R)   | D-785(F) D-792(R)  |
| A185-M     | 1015       | D-52   | A2351020   | 10126               | D-834              |
| A185-S     | 1015       | D-52   | A2351021   | 10119               | D-792              |
| A186-1     | A1094      | *      | A2351022   | 10118               | D-785              |
| A187       | 1095       | D-731  | A2351023   | 10113               | D-154              |
| A187-1     | 1095       | D-731  | A2351024   | 10133-1             | D-784              |
| A187-2     | 10126      | D-834  | A2351025   | 10118(F) 10143(R)   | D-785(F) D-974A(R) |
| A187-3     | 10126      | D-834  | A2351026   | 10143               | D-974A             |
| A187-4     | 10133-1    | D-784  | A2351027   | 10133-1(F) 10134(R) | D-784(F) D-785(R)  |
| A188       | 10110      | D-11   | A2351028   | 10133-1             | D-784              |
| A188-1     | 10110      | D-11   | A2360000   | A1033               | *                  |
| A189       | 10110      | D-11   | A2360001   | 1046                | D-34               |
| A189-1     | 1095       | D-731  | A2360002   | 1046                | D-34               |
| A190       | A10129     | *      | A2360003   | 1066                | D-237              |
| A191       | 10129      | D-43   | A2360004   | 1061(F) 1049(R)     | D-199(F) D-204(R)  |
| A192       | 10135      | D-137  | A2360005   | 1061                | D-199              |
| A193       | 1095       | D-731  | A2360006   | 10103(F) 10104(R)   | D-600(F) D-627(R)  |
| A193-1     | 10133-1    | D-784  | A2360007   | 1081(F) 10145(R)    | D-412(F) D-627A(R) |
| A194       | 1097       | D-614  | A2360008   | 1061-1(F) 1047(R)   | D-199(F) D-347(R)  |
|            |            |        | A2360009   | 10127               | D-711              |
|            |            |        | A2360010   | 10127               | D-711              |
|            |            |        | A2360011   | 10137(F) 10104(R)   | D-491(F) D-627(R)  |
|            |            |        | A2361001   | 10146(F) 10147(R)   | D-749(F) D-1012(R) |
|            |            |        | A2361002   | 10146(F) 10147(R)   | D-749(F) D-1012(R) |
|            |            |        | A2361003   | 10147               | D-1012             |
|            |            |        | A2370000   | 1092                | D-203              |
|            |            |        | A2370001   | 1092                | D-203              |
|            |            |        | A2370002   | 1093                | D-477              |
|            |            |        | A2370003   | 1015                | D-52               |
|            |            |        | A2370004   | 1093                | D-477              |
|            |            |        | A2370005   | 10111               | D-529              |
|            |            |        | A2370006   | 1094                | D-369              |
|            |            |        | A2370007   | 1094                | D-369              |
|            |            |        | A2370008   | 10111               | D-529              |
|            |            |        | A2370009   | 10111               | D-529              |
|            |            |        | A2370010   | 10111               | D-529              |
|            |            |        | A2370011   | 10114               | D-746              |
|            |            |        | A2370012   | 10120               | D-820              |
|            |            |        | A2370013   | 10125               | D-702              |
|            |            |        | A2370014   | 10125               | D-702              |
|            |            |        | A2370015   | 1093(F) 10139(R)    | D-477(F) D-666(R)  |
|            |            |        | A2370016   | 10140(F) 10141(R)   | D-790(F) D-791(R)  |
|            |            |        | A2370017   | 10142(F) 10141(R)   | D-945(F) D-791(R)  |
|            |            |        | A2380001   | 10121(F) 10122(R)   | D-591(F) D-512(R)  |
|            |            |        | A2380002   | 10123(F) 10124(R)   | D-592(F) D-592(R)  |

| <b>Short Stop...™ Slotted Rotor Upgrade Kits</b> |                   |                    |
|--|-------------------|--------------------|
| SSBC Kit #                                       | SSBC Pad #        | FMSI #             |
| A2350000   | 10112             | D-8                |
| A2350001   | 1015              | D-52               |
| A2350002   | 1015              | D-52               |
| A2350003   | 10113             | D-154              |
| A2350004   | 1099(F) 1070(R)   | D-623(F) D-413(R)  |
| A2350004R  | 1070              | D-413              |
| A2350005   | 10101(F) 10102(R) | D-294(F) D-295(R)  |
| A2350006   | 1081(F) 1070(R)   | D-412 (F) D-413(R) |
| A2350007   | 1081(F) 1070(R)   | D-412 (F) D-413(R) |
| A2350008   | 1095(F) 1096(R)   | D-731(F) D-732(R)  |
| A2350008R  | 1096              | D-732              |
| A2350009   | 1097(F) 1098(R)   | D-614(F) D-628(R)  |
| A2350009R  | 1097(F) 1098(R)   | D-614(F) D-628(R)  |
| A2350010   | 1015              | D-52               |
| A2350012   | 1015              | D-52               |
| A2350013   | 1081              | D-412              |

**\*RE-ORDER PADS DIRECTLY FROM SSBC**





**Stainless Steel Brakes Corporation**

11470 Main Road • Clarence, NY 14031  
 Ph: 716-759-8666 Fx: 716-759-8688  
 ssbrakes.com • tech@ssbrakes.com

**REPLACEMENT  
PARTS  
ORDER FORM**

**DATE:** \_\_\_\_\_

**CUSTOMER # (from receipt):** \_\_\_\_\_

**ORDERED BY:**  
**NAME:** \_\_\_\_\_  
**COMPANY:** \_\_\_\_\_  
**STREET:** \_\_\_\_\_  
**CITY:** \_\_\_\_\_ **ST:** \_\_\_\_\_ **ZIP:** \_\_\_\_\_  
**DAY PHONE:** \_\_\_\_\_  
**FAX:** \_\_\_\_\_  
**E-MAIL:** \_\_\_\_\_

**SHIP TO:**  
**NAME:** \_\_\_\_\_  
**COMPANY:** \_\_\_\_\_  
**STREET:** \_\_\_\_\_  
**CITY:** \_\_\_\_\_ **ST:** \_\_\_\_\_ **ZIP:** \_\_\_\_\_  
**DAY PHONE:** \_\_\_\_\_  
**FAX:** \_\_\_\_\_  
**E-MAIL:** \_\_\_\_\_

**VEHICLE INFORMATION:**  
**TYPE OF AUTOMOBILE:** \_\_\_\_\_  
**YEAR** \_\_\_\_\_ **ENGINE:**  4 CYL.  6 CYL.  8 CYL.

**TYPE OF DRIVING:**  
 STREET  RACING  
 STREET & SLALOM  STREET MODIFIED

**ORDER INFORMATION:**

| QUANTITY | PART # | DESCRIPTION | UNIT PRICE | AMOUNT |
|----------|--------|-------------|------------|--------|
|          |        |             |            |        |
|          |        |             |            |        |
|          |        |             |            |        |
|          |        |             |            |        |
|          |        |             |            |        |
|          |        |             |            |        |
|          |        |             |            |        |
|          |        |             |            |        |

**METHOD OF PAYMENT:**

CHECK/MONEY ORDER  VISA  MASTERCARD  DISCOVER  AMEX

**CREDIT CARD #:** \_\_\_\_\_ **EXP:** \_\_\_\_\_

**SIGNATURE:** \_\_\_\_\_

|                                |  |
|--------------------------------|--|
| Total Merchandise              |  |
| NY Residents Sales Tax         |  |
| Ins. (add \$0.35 per \$100.00) |  |
| UPS Shipping (please call)     |  |
| <b>TOTAL</b>                   |  |

*Price subject to change without notice. Not responsible for typographical errors.*

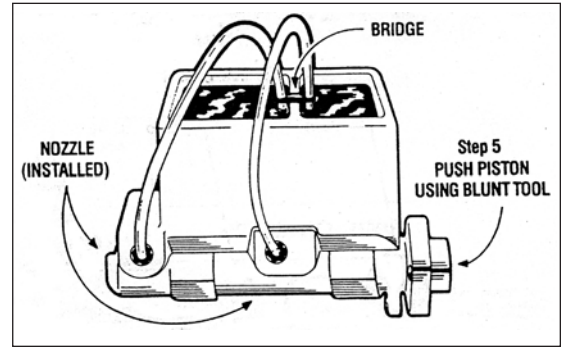
*NOTE: Name, address & telephone number must be printed on checks. Driver's License number required for personal checks.*

**FREE FREIGHT**  
 IF ORDERED WITHIN 30 DAYS OF INITIAL ORDER  
**MAIL OR FAX YOUR ORDER!**

# How and why do I bench bleed a master cylinder?

When installing or replacing a master cylinder, it is critical that all air is removed from the master cylinder. This can easily be done by bench bleeding the master cylinder prior to installation. Using the SSBC master cylinder bleeder kit (#0460):

- 1) Place your master cylinder in a vise by the ears (not body). Make sure it is level.
- 2) Attach a piece of clear plastic hose to the short end of one of the plastic nozzles. Do the same to the other hose and nozzle.
- 3) Clip the plastic bridge to the wall and push the ends of the hose through the holes so they are **SUBMERGED** in the reservoir on either side of the wall.
- 4) Press the tapered end of the nozzle **FIRMLY** into the cylinder port hole with a twisting motion. Repeat this procedure on the other port hole.
- 5) Fill the reservoir with **CLEAN** brake fluid recommended by the manufacturer.
- 6) Using full strokes, push the piston in, then release. Do this until **ALL** the air bubbles have disappeared from the clear plastic hose. **(CAUTION-MASTER CYLINDER WILL NOT BLEED PROPERLY UNLESS HOSES ARE SUBMERGED IN BRAKE FLUID UNTIL THE BLEEDING PROCESS IS COMPLETED.)**



Now mount master cylinder and avoid brake fluid leaking out of front and rear ports during installation.

## Bleeding steps for Dual Port Master Cylinder

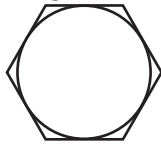
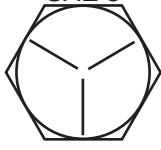
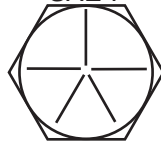

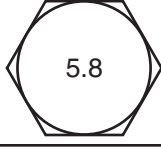
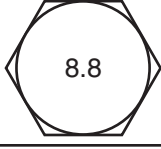
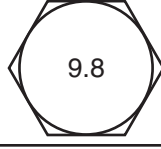
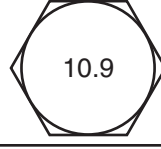
If you have a master cylinder with dual port holes (4 port holes - 2 on each side), it is necessary to bleed both port sides of the master cylinder. If both sides of the master cylinder are not bled, there will be air trapped in the master cylinder and your brakes will not function properly.

To bleed dual port master cylinders:

- 1) Follow steps 1 - 6 above on the side you will be hooking the brake lines to. Plug the other side.
- 2) Once the air bubbles are no longer visible in the plastic hose, open the bleeder screws in the supplied plugs and allow the mater cylinder to gravity bleed. **DO NOT** push the master cylinder piston in while the plugs are gravity bleeding.
- 3) When clear, steady streams of fluid are coming out of both bleeders, close and tighten the bleeders. Give the master cylinder piston several strokes, making sure there are still no bubbles present in the clear plastic tubes.
- 4) Remove the tubes and plastic fittings and mount the master cylinder on the vehicle being careful not to spill brake fluid on any painted surfaces.

# TORQUE SPECIFICATIONS

**BEFORE DRIVING YOUR VEHICLE, YOU SHOULD CHECK THE TORQUE ON ALL NUTS AND BOLTS IN THE KIT, INCLUDING ANY SLIDER BOLTS ON THE CALIPERS. RE-TORQUE CALIPER BOLTS AFTER 500 MILES. ALL SPECIFICATIONS ARE IN FT-LBS.**

| <b>BOLT GRADES</b> |   |  |   |   |
|--------------------|---|--|---|---|
| <b>U.S.</b>        |  |  |  |  |
| <b>Metric</b>      |  |  |  |  |
| <b>Steel Type</b>  | Low Carbon (soft)   | Medium Carbon Heat Treat   | Medium Carbon Alloy   | Medium Carbon Alloy   |

| <b>SAE</b> | Bolt Grade      | 2   | 2     | 5   | 5     | 7   | 7     | 8   | 8     | Socket Head Cap Screw | Socket Head Cap Screw |
|------------|-----------------|-----|-------|-----|-------|-----|-------|-----|-------|-----------------------|-----------------------|
| Bolt Dia.  | Thread per inch | Dry | Oiled | Dry | Oiled | Dry | Oiled | Dry | Oiled | Dry                   | Oiled                 |
| 1/4"       | 20              | 4   | 3     | 8   | 6     | 10  | 8     | 12  | 9     | 14                    | 11                    |
| 1/4"       | 28              | 6   | 4     | 10  | 7     | 12  | 9     | 14  | 10    | 16                    | 13                    |
| 5/16"      | 18              | 9   | 7     | 17  | 13    | 21  | 16    | 25  | 18    | 29                    | 23                    |
| 5/16"      | 24              | 12  | 9     | 19  | 14    | 24  | 18    | 29  | 20    | 33                    | 26                    |
| 3/8"       | 16              | 16  | 12    | 30  | 23    | 40  | 30    | 45  | 35    | 49                    | 39                    |
| 3/8"       | 24              | 22  | 16    | 35  | 25    | 45  | 35    | 50  | 40    | 54                    | 44                    |
| 7/16"      | 14              | 24  | 17    | 50  | 35    | 60  | 45    | 70  | 55    | 76                    | 61                    |
| 7/16"      | 20              | 34  | 26    | 55  | 40    | 70  | 50    | 80  | 60    | 85                    | 68                    |
| 1/2"       | 13              | 38  | 31    | 75  | 55    | 95  | 70    | 110 | 80    | 113                   | 90                    |
| 1/2"       | 20              | 52  | 42    | 90  | 65    | 100 | 80    | 120 | 90    | 126                   | 100                   |
| 9/16"      | 12              | 52  | 42    | 110 | 80    | 135 | 100   | 150 | 110   | 163                   | 130                   |
| 9/16"      | 18              | 71  | 57    | 120 | 90    | 150 | 110   | 170 | 130   | 181                   | 144                   |
| 5/8"       | 11              | 98  | 78    | 150 | 110   | 140 | 140   | 220 | 170   | 230                   | 184                   |
| 5/8"       | 18              | 115 | 93    | 180 | 130   | 210 | 160   | 240 | 180   | 255                   | 204                   |
| 3/4"       | 10              | 157 | 121   | 260 | 200   | 320 | 240   | 380 | 280   | 400                   | 320                   |
| 3/4"       | 16              | 180 | 133   | 300 | 220   | 360 | 280   | 420 | 320   | 440                   | 350                   |
| 7/8"       | 9               | 210 | 160   | 430 | 320   | 520 | 400   | 600 | 460   | 640                   | 510                   |
| 7/8"       | 14              | 230 | 177   | 470 | 360   | 580 | 440   | 660 | 500   | 700                   | 560                   |
| 1"         | 8               | 320 | 240   | 640 | 480   | 800 | 600   | 900 | 680   | 980                   | 780                   |
| 1"         | 12              | 350 | 265   | 710 | 530   | 860 | 666   | 990 | 740   | 1060                  | 845                   |

| <b>METRIC</b> | 5.8   | 8.8   | 9.8   | 10.9  |
|---------------|-------|-------|-------|-------|
| Bolt Dia.     | Oiled | Oiled | Oiled | Oiled |
| 5mm           | 3.5   | 5     | 6     | 8     |
| 6mm           | 6     | 9     | 10.5  | 12    |
| 8mm           | 15    | 22    | 25    | 32    |
| 10mm          | 29    | 44    | 51    | 62    |
| 12mm          | 51    | 76    | 89    | 111   |

Per SAE J1701 and SAE J1701M specifications.

# UNIVERSAL FRONT DISC BRAKE CHECKLIST

- [ ] 1) Spindle Properly secured to ball joints and tie rods with castle nut and cotter pin.
- [ ] 2) All mounting bolts properly tightened.
- [ ] 3) Wheel bearings properly packed with grease.
- [ ] 4) Inner bearing must be installed before grease seal.
- [ ] 5) Rotor / bearings slide onto spindle with ease.
- [ ] 6) Washer, castle nut properly torqued and cotter pin installed.
- [ ] 7) Calipers installed and properly torqued.
- [ ] 8) Spin rotor and check for any interference. (If any interference is found, resolve problem before driving vehicle.)
- [ ] 9) Flex lines are properly installed with no interference.
- [ ] 10) Power booster (if applicable) installed properly.
- [ ] 11) Master cylinder bench bled according to the instructions.
- [ ] 12) All brake lines are properly tightened and free of leaks.
- [ ] 13) Turn wheels lock to lock and check for any interference.
- [ ] 14) Place wheel onto vehicle and spin the wheel to make sure there is no interference between the brakes and wheel.

# UNIVERSAL REAR DISC BRAKE CHECKLIST

- [ ] 1) All bolts on base bracket properly tightened.
- [ ] 2) All caliper mounting bolts properly tightened.
- [ ] 3) Rotor slides onto axle with ease.
- [ ] 4) No interference with rotor and any other parts (splash shield, brackets, etc.).
- [ ] 5) Caliper is centered over the rotor (because of difference in axle lengths, you may have to shim caliper in or out).
- [ ] 6) No interference with caliper and rotor.
- [ ] 7) All brake lines are tight with no leaks.
- [ ] 8) Parking brake is properly adjusted and not dragging, with vehicle on ground.
- [ ] 9) Adjustable proportioning valve installed (if applicable).
- [ ] 10) Distribution block modification made (if applicable).
- [ ] 11) Brake system properly bled.



**WITH EVERY NEW SET OF ROTORS AND PADS, YOU SHOULD GIVE YOUR VEHICLE 200 - 250 MILES OF EASY DRIVING TO PROPERLY SEAT THE PADS TO THE ROTORS. DO NOT TAKE THE VEHICLE UP TO 60 MPH AND JAM ON THE BRAKES BEFORE THE FIRST 200 - 250 MILE BREAK IN PERIOD IS OVER, OR YOU WILL GLAZE THE PADS AND ROTORS.**

# TECHNICAL SUPPORT / WARRANTY POLICY

You have just purchased a high quality product manufactured by Stainless Steel Brakes Corporation. To ensure proper installation, please read all instructions thoroughly before beginning your work. In most applications, your kit will install as the instructions indicate. From time to time, the original equipment on some vehicles may have slight variations that can effect the ease of installation. Minor modifications during installation may be necessary to successfully install your kit. If modifications are necessary, please refer to a licensed mechanic and/or contact our technicians for modification approval.

Installation of braking, steering and suspension components and systems require proper procedures and methods to assure safe and correct operations.

Always test completed installations in a safe area. For proper operation, and if questionable, correct prior to placing the vehicle in service.

Our company maintains experienced technical service personnel, including a licensed professional engineer who have the knowledge and background to help you with installation or operating problems. Our technicians may be reached by telephone at 716-759-8666, Monday - Friday, 9:30 AM - 5:30PM EST. If unavailable, please leave a brief message, including your day phone number, and they will return your call as soon as possible. You can also e-mail us at [tech@ssbrakes.com](mailto:tech@ssbrakes.com). If you prefer, we will be pleased to speak with your installing mechanic.

If it becomes necessary to return an item for any reason, a Return Goods Authorization (RGA) Number must first be obtained by telephone. A simple written description of the reason for the return should be included with the part. Your name and phone number should also be included. (Use the attached form.) "Defective" is not enough of a description. See following page for detailed instructions.

We urge you not to disassemble or alter any part supplied, nor purchase additional parts or services in order to facilitate installation. Lack of prior approval by our company will constitute a violation of our warranty with consequent denial of reimbursement for parts - faulty or not.

Before contracting outside professional assistance, please be aware that we do not reimburse for labor charges under any circumstance. Consult our standard warranty card provided with your order.

## **NEED TO RETURN A PART? FOLLOW THESE INSTRUCTIONS.**

- > Did you call our Technical Assistance (716-759-8666) before you decided to make a return? If not, you should do so now.
- > You must have a Return Goods Authorization Number (RGA) issued to you prior to returning any item. If you return without an RGA #, you run the risk of not receiving credit.
- > Make sure to include the completed Return Form with invoice and RGA # with your parts.
- > Whenever possible, please return item in original box with invoice and RGA # clearly marked on the outside of the box.
- > Any return must be shipped postage paid - NO collect shipments will be accepted.
- > All warranty items will be sent ground UPS. Any other type of shipping service will be at customer's expense.

It is a good idea to insure the returned part(s) for the full value to protect yourself against loss. We strongly suggest you ship by UPS or U.S. Mail, no BUS or AIR shipments will be accepted. All foreign returns must have authorization.

**NOTE:** Under no circumstance should any product(s) or part(s) be returned without prior authorization number (RGA #). Any part which, in our opinion, shows evidence of being used, installed contrary to SSBC instruction, defaced, subjected to improper handling, packaging or shipping by the customer will not be eligible for exchange, refund or warranty consideration.

# RETURN FORM

Name: \_\_\_\_\_

Invoice #: \_\_\_\_\_

Address: \_\_\_\_\_

Date Purchased: \_\_\_\_\_

\_\_\_\_\_

Purchased From: \_\_\_\_\_

Phone: \_\_\_\_\_

List item(s) and a detailed explanation of why you are returning the item(s):

\_\_\_\_\_  
\_\_\_\_\_  
\_\_\_\_\_  
\_\_\_\_\_  
\_\_\_\_\_  
\_\_\_\_\_  
\_\_\_\_\_  
\_\_\_\_\_  
\_\_\_\_\_  
\_\_\_\_\_

**RGA #** \_\_\_\_\_



Use this label for your package.

|   |                  |
|---|------------------|
| From: _____<br>_____<br>_____   |                  |
| TO: Stainless Steel Brakes Corp.<br>11470 Main Road<br>Clarence, NY 14031 |                  |
| RGA #: _____  | Invoice #: _____ |