



INSTALLATION INSTRUCTIONS

Rear Cargo Drawer – Part #167

Please read and fill out the enclosed warranty registration card to activate your warranty.



Enclosure



Drawer



#8 (2) Mounting Brackets

QC CHECK

- VISUAL INSPECTION
 - BEARING INSPECTION
 - SLIDE TEST
 - DRAWER STOP
 - RUBBER SEAL
 - CORRECT KEY (& COMBO SETTING)
 - PUSHBUTTON LOCK TEST
 - COMBO LOCK TEST (IF INCL)
 - LATCH TEST
 - SHIPPING PACKAGE
 - DIVIDERS (IF INCL)
 - TRIM KIT (IF INCL)
 - MOUNTING KITS (IF INCL)
 - VERIFY CROSS BRACES
 - UNLOCKED WITH KEY INSIDE
- QC INSPECTOR INITIALS _____

Shipping Package



#5.2.1 (8) 5/16-18x2 1/4" Bolts



#5.2.6 (8) 5/16-18x1 1/4" Bolts



#5.2.4 (8) 5/16-18x7/8" Bolts



#5.2.2 (8) 5/16 Nuts



#5.2.5 (8) 5/16 Wide OD Washers



#5.2.3 (16) 5/16 Narrow OD Washers



#14 (4) Clamps

Tools required

- 1/2" Shallow socket with a long extension and a ratchet (Universal joint also helps)
- 1/2" Wrench

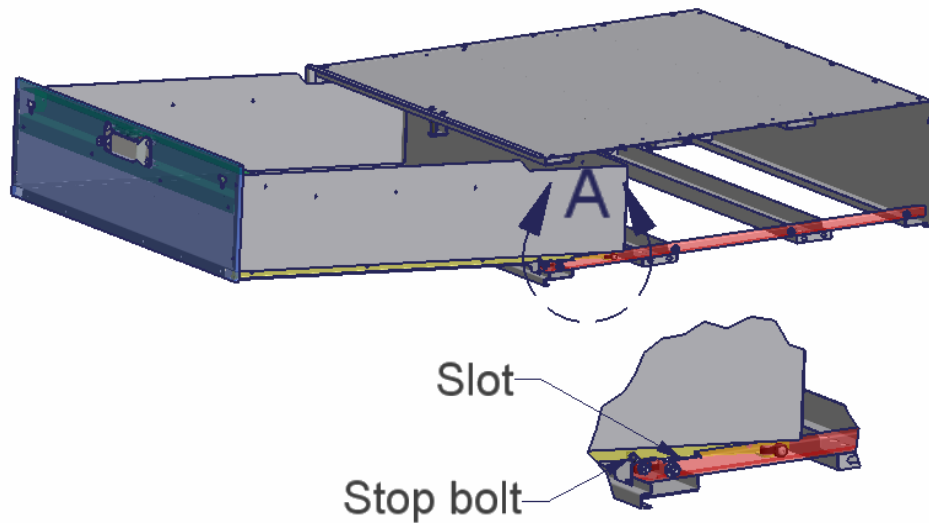
Mounting Directions

WARNING! This drawer is rated to hold a maximum of 250# evenly distributed. The enclosure is rated to hold 250# on top evenly distributed. This would include any dividers mounted in the drawer. Never stand or sit on the Tuffy drawer or enclosure. The vehicle should not be operated with the drawer opened and not secured shut. The drawer should not be operated/opened when not level. Keep hands clear of moving parts and pinch points when maneuvering the drawer. Do not exceed the rated weight capacity for this product.

FOR SAFETY THE DRAWER REMOVAL REQUIRES AT LEAST (2) PEOPLE. THE DRAWER SHOULD ALWAYS BE EMPTY BEFORE REMOVING IT. CONSTANT SUPPORT MUST BE APPLIED TO HOLD UP THE FRONT OF THE DRAWER THROUGHOUT THE ENTIRE REMOVAL PROCESS SO IT DOES NOT CAUSE INJURY AND/OR DAMAGE.

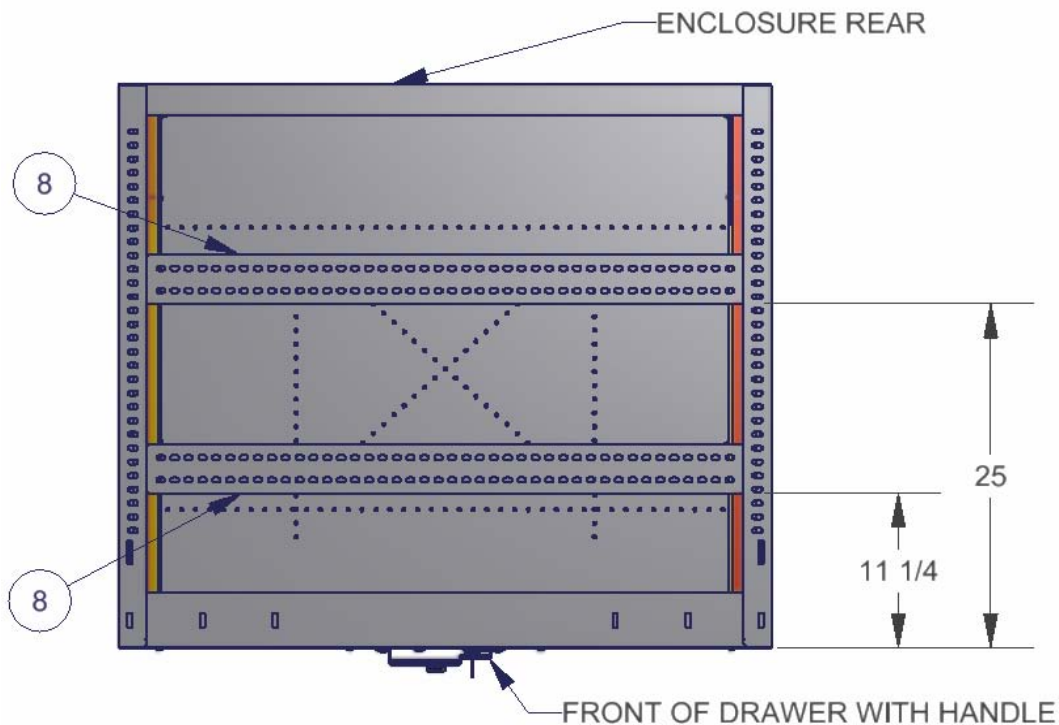
1. Check the floor and wheel well panels of the vehicle for cubby holes containing important gear or require access in an emergency (Jack, spare tire, spare tire access, fuses, etc.). If floor access is required make sure that it is exposed and accessible through the opening in the bottom of the drawer enclosure when the drawer is removed. Remove and relocate any inaccessible items as required.
2. Remove drawer from enclosure. Pull the drawer out until it stops. Lift up the front of the drawer and pull it out a few inches further until the stop bolts on the drawer slides clear the rollers on the enclosure slide. Pull the drawer again until it stops being sure to support the front of the drawer. Pivot the front of the drawer down and lift the rear end of the drawer out so the rollers on the drawer slides pull free through the slots in the enclosure slides. Reverse steps to install. (See Figure 1)

FIGURE 1



3. The drawer is shipped without the Mounting Brackets #8 installed due to the wide variety of mounting point locations in different vehicles. Place the drawer enclosure in the vehicle in the desired mounting location and mark where the #8 mounting brackets should be located. The #8 mounting brackets should be directly above the anchors used for the seat mounts if available. Make sure the rear door of the vehicle shuts with the drawer installed and the seats function properly. (See Figure 2 for the Chevy Tahoe standard mounting location)

FIGURE 2 (Chevy Tahoe standard mounting location shown, mounting bracket location varies by vehicle)

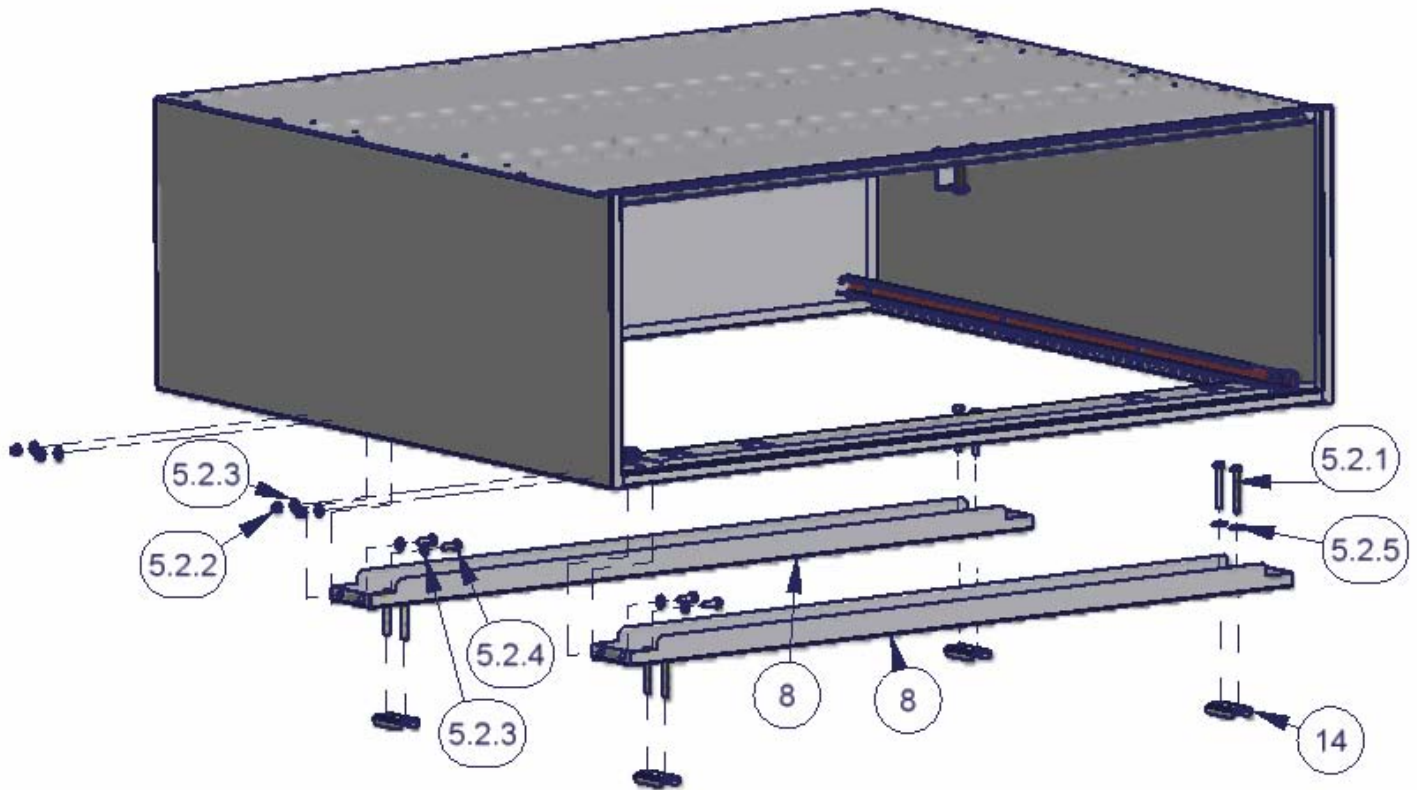


4. Remove the Enclosure from the vehicle and fasten the #8 Mounting Brackets to the enclosure with the #5.2.4 bolts, #5.2.2 nuts and #5.2.3 washers. These bolts are difficult to reach; Use a 1/2" shallow socket with a long extension and a ratchet (Universal joint also helps) and a 1/2" wrench on the other end. Unbolting the slide using a 7/16" wrench will make things easier as well. (See Figure 3)

If the vehicle is not equipped with seat anchor points or the drawer requires additional mounting points you can drill 3/8" holes in the floor aligned with holes in the #8 mounting brackets and fasten the drawer to the floor using the hardware provided with the #14 clamps on the underside of the vehicle floor. **Warning! Be sure there is nothing on the underside of the vehicle floor which will be damaged when drilling. Most vehicles have a gas tank and gas lines in that area.**

5. With the enclosure placed in the desired mounting location insert the (4) #14 clamps on the underside of the seat anchors in the vehicle floor and using a ½" socket, extension, and ratchet fasten them to the #8 mounting brackets with the #5.2.1 Bolts and #5.2.5 Washers (#5.2.6 Bolts are a shorter length and may alternately be required for mounting in some vehicles). Be sure the anchor point is completely enclosed between the Bolts and is "sandwiched" between the #14 clamp and #8 mounting bracket and cannot slip out from behind it. **Do not over tighten these bolts or damage to the #8 mounting brackets will occur due to the necessary gap.** (See Figure 3)
6. Insert the drawer and test the operation. Make sure there is clearance between the drawer handle and the rear tailgate. Test to make sure that access to any important compartments in the floor or side panels are maintained.

FIGURE 3



ATTENTION:

FREQUENT LUBRICATION IS NECESSARY ON THE LOCKING SYSTEM

The pushbutton lock contains an "O" ring seal to protect the interior from dust and water. If this mechanism is not lubricated regularly it will become difficult to operate and it may not return to its home position preventing the key from operating the lock. If this happens simply pull up on the pushbutton to manually bring it back to its home position. Lubricate the pushbutton with a light lubricant such as silicone spray. The pushbutton may have to be periodically disassembled and cleaned.

Call (970) 564-1762 for Technical Support