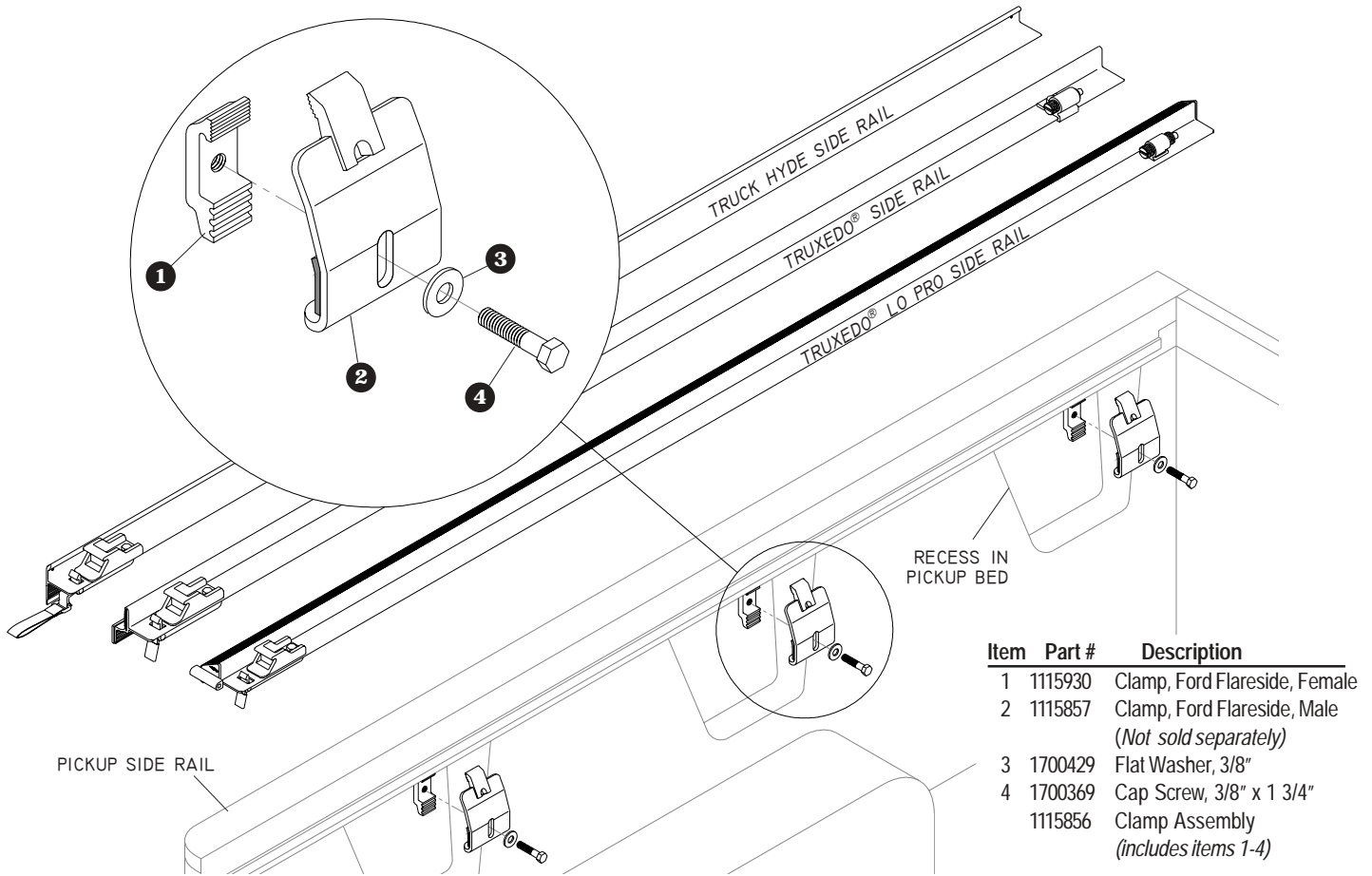


2004 FORD FLARESIDE SIDE RAIL CLAMP INSTRUCTIONS

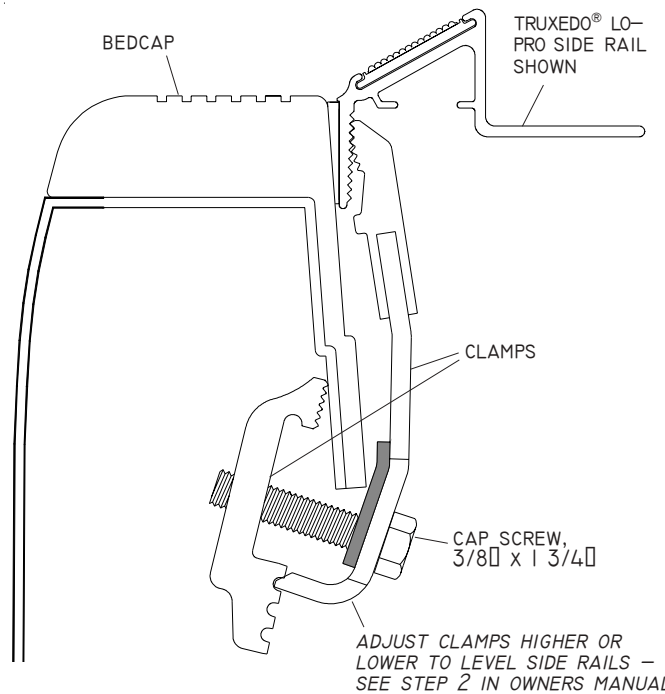


STEP 1: Align clamp assemblies along pickup side rails, centered in recesses.

STEP 2: Mount side rails flush with bed cap as shown. Tighten clamps securely.

⚠ CAUTION
Tighten clamp assemblies securely on side rails before driving vehicle.

NOTE: Refer to Owners Manual for cover installation.



Shur-Co.

P.O. Box 713, 2309 Shur-Lok Street Yankton, South Dakota 57078

Call Toll Free: 877-TRUXEDO (1-877-878-9336) Fax: (605) 664-9304 Web Site: <http://www.truxedo.com>



8/18/04, 100 P/N 1115437 Rev. D