

# Ford SuperCrew Installation Instructions



Refer to owner's manual to install your Ford SuperCrew TruXedo kit.

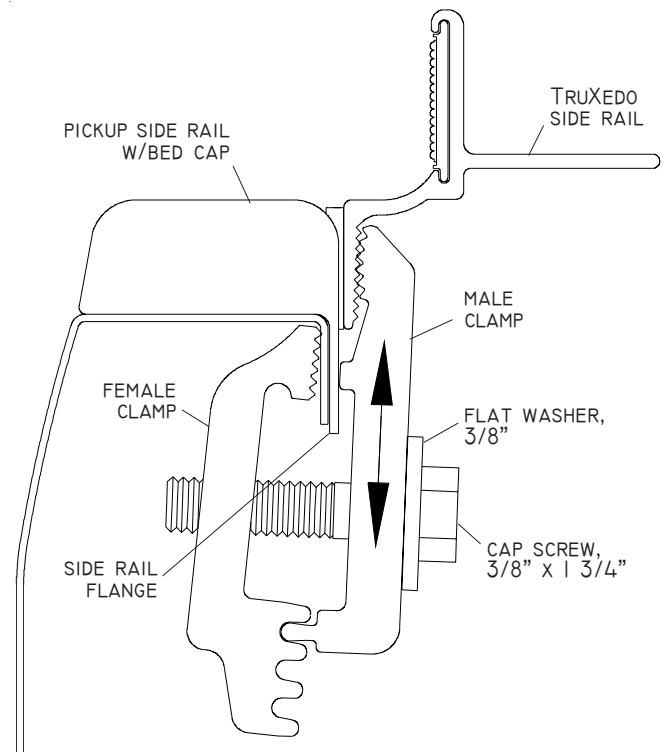
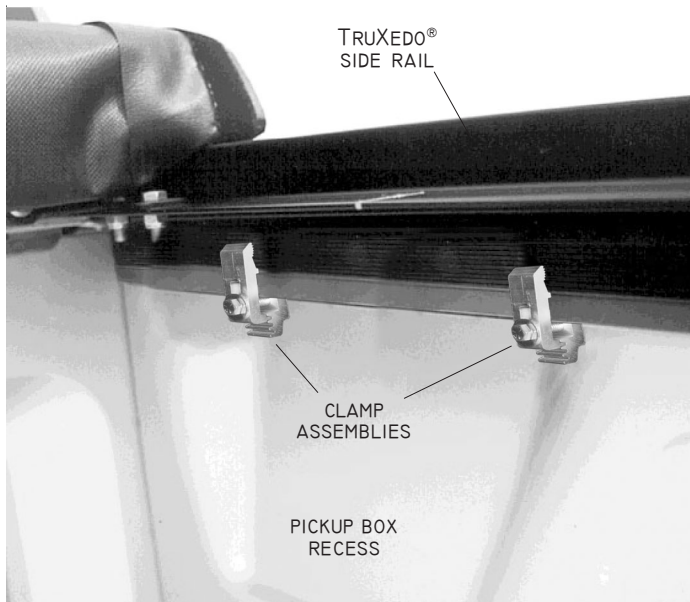
Follow this instruction sheet to install TruXedo® side rails on your Ford SuperCrew.

Read manual and these special instructions prior to installation of kit.

Side rails are notched and pre-bent to conform to pickup bed.

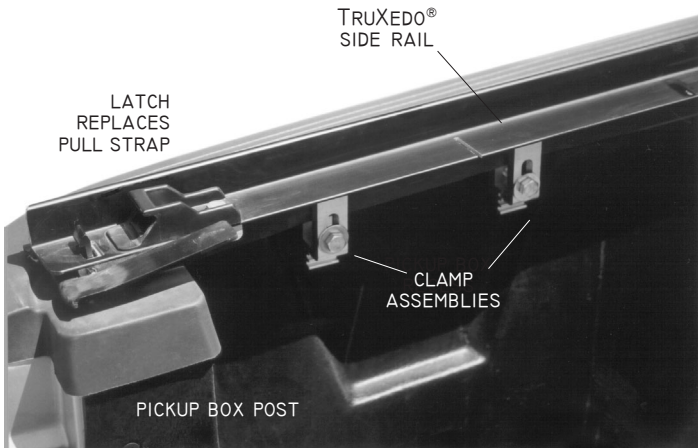
**STEP 1:** Position side rail 1/8" higher than bed cap at front of pickup box. Attach two clamp assemblies at front of side rail in pickup box recess on side of pickup box.

**STEP 2:** Install clamp assembly as shown with female clamp positioned against top of bed rail. Adjust male clamp as required to level side rail. Tighten clamp assembly.



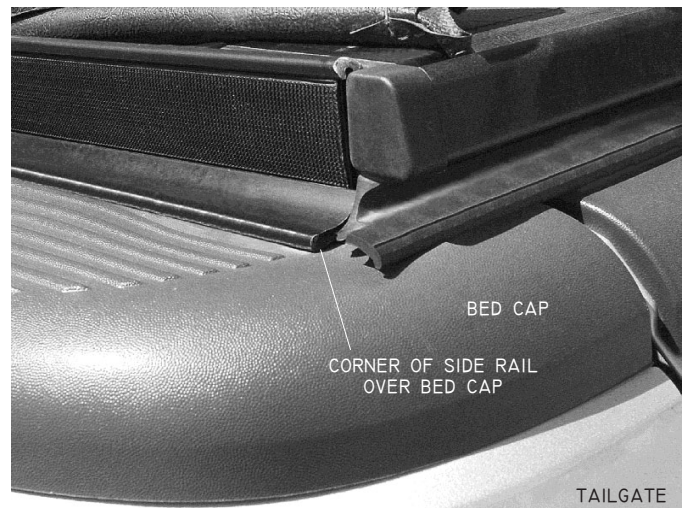
**▲ WARNING** Tighten clamp assemblies on side rails before driving vehicle

# Ford SuperCrew Installation Instructions

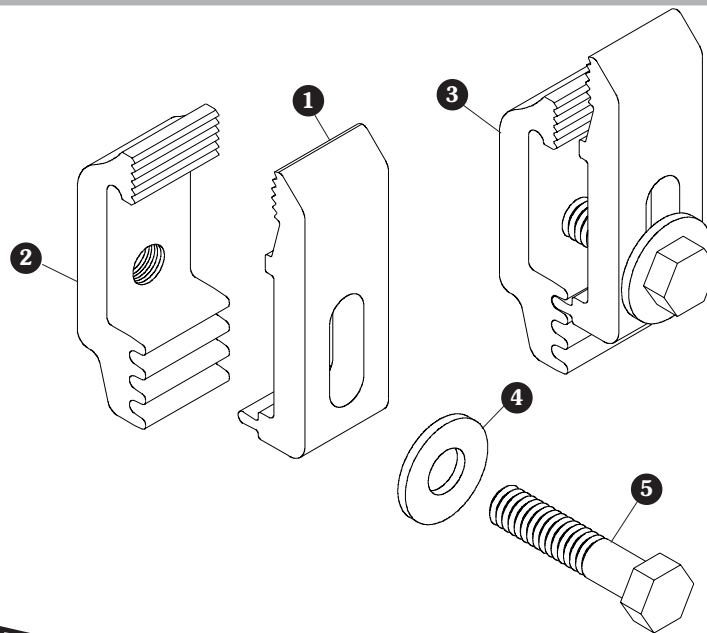


**STEP 3:** Attach two clamp assemblies at rear of side rail in recess of pickup box. Side rail is notched to fit on top of pickup box post.

**STEP 4:** Mount side rail at tailgate end above bed cap as shown. Rear header seal functions best when tailgate is closed and cover is latched on top of tailgate.



## Clamp Assembly



### Replacement Parts

1	1703254	Clamp w/Slot, Male
2	1703253	Clamp, Female
3	1115191	Clamp Assembly
4	1700429	Flat Washer, 3/8"
5	1700369	Cap Screw, 3/8" x 1 3/4"

**Shur-Co.**



-2-

**TRUXEDO**  
Yankton, SD 1-877-TRUXEDO

P.O. Box 713, 2309 Shur-Lok Street Yankton, South Dakota 57078

Call Toll Free: 877-TRUXEDO (1-877-878-9336) Fax: (605) 664-9304 Web Site: <http://www.truxedo.com>

8/21/03, 200 P/N 1114692 Rev. A