

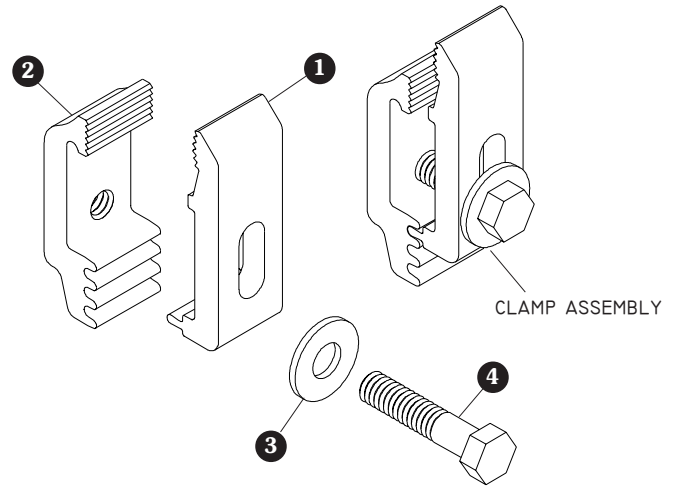
TOYOTA TUNDRA STEPSIDE INSTALLATION INSTRUCTIONS

Read your owner's manual and this instruction sheet before installing your Toyota Tundra Truxedo kit.

This sheet explains how to install your TruXedo® side rail clamps and adapter pan. Side rails are notched and pre-bent to conform to your pickup bed.

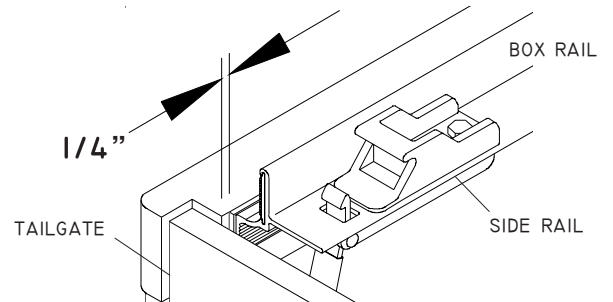
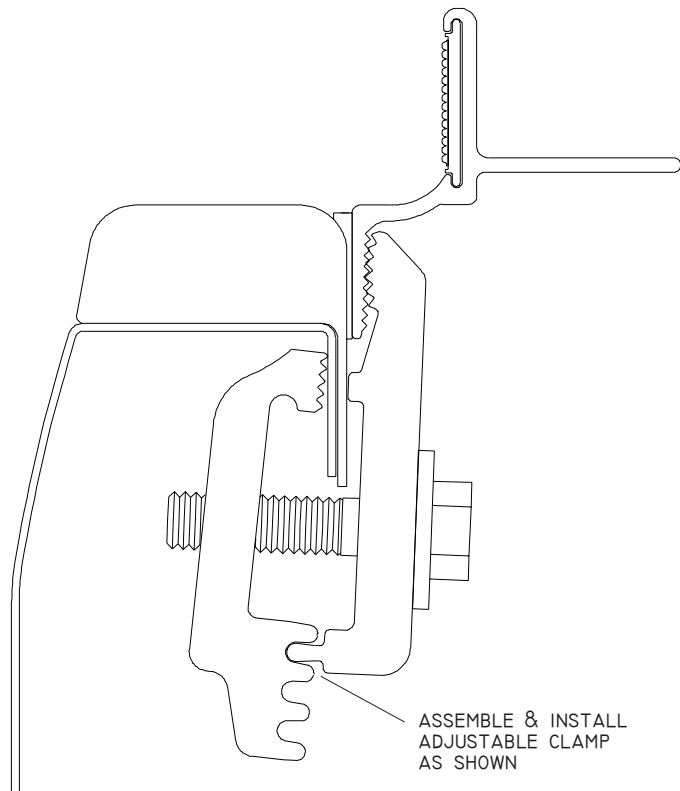
REPLACEMENT PARTS

1	1703254	CLAMP W/SLOT, MALE
2	1703253	CLAMP, FEMALE
3	1700428	FLAT WASHER, 5/16"
4	1703310	SELF-TAPPING SCREW, 5/16" x 1 1/2"

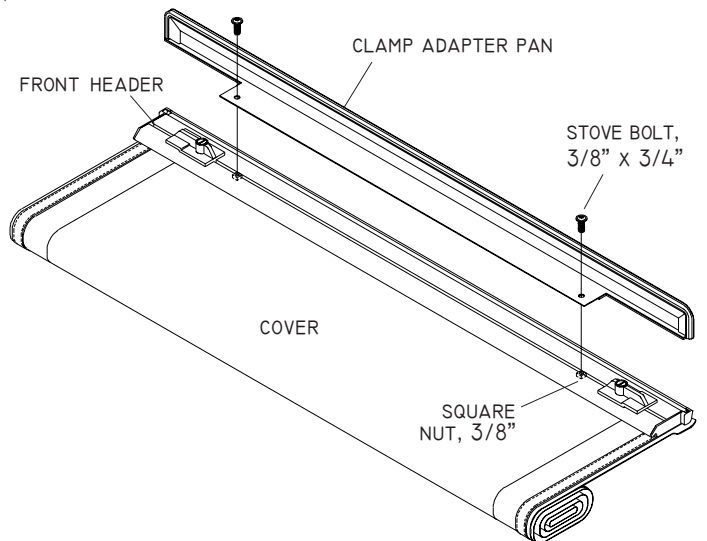


STEP 1: Position clamps 9" and 36" from front of box; and 8" and 17" from tailgate (four clamps per side rail).

STEP 4: Align side rails 1/4" from tailgate, flush with box rail and level with each other. Tighten clamp assemblies (see owner's manual).



STEP 5: Center pan adapter on front header. Fasten 3/8" x 3/4" stove bolts through holes in pan adapter and into square nuts inside header slot. Tighten bolts.



Shur-Co.



P.O. Box 713, 2309 Shur-Lok Street Yankton, South Dakota 57078

Call Toll Free: 877-TRUXEDO (1-877-878-9336) Fax: (605) 664-9304 Web Site: <http://www.truxedo.com>

TRUXEDO
Yankton, SD 1-877-TRUXEDO

6/16/03, 100 P/N 1114881
Rev. B