



MODEL SPECIFIC GUIDE

D-Ring Hinge Version

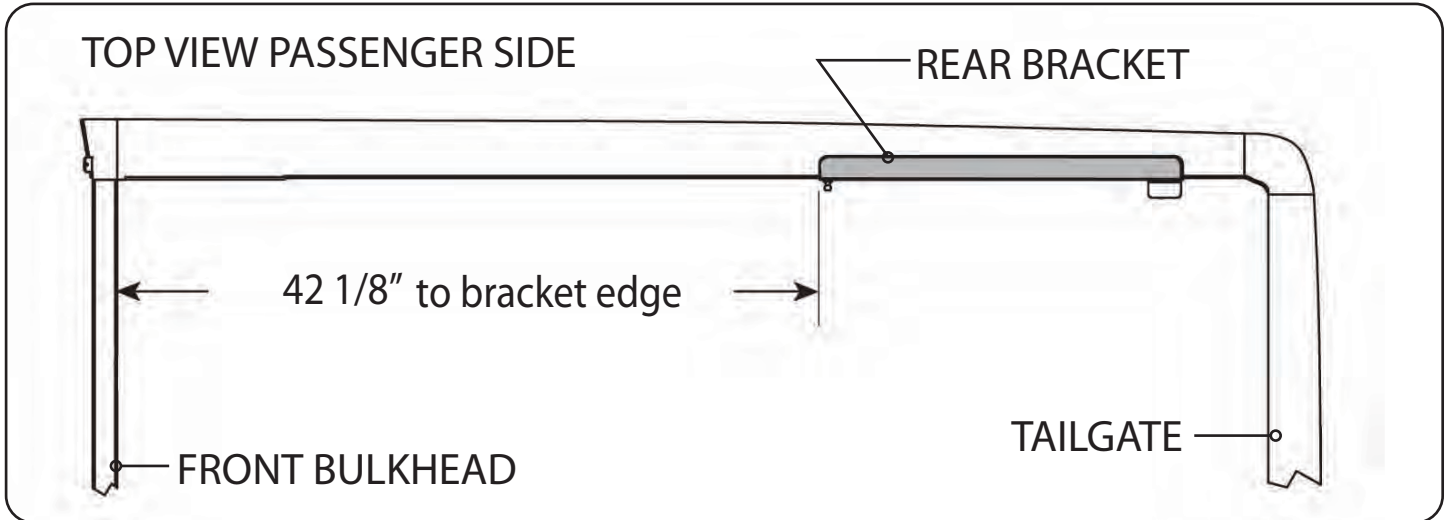
**Model 1030 Chevy Silverado/GMC Sierra Crew Cab
5.5' Short Bed 2004-2007** (Will not fit 2007 new body style)



Note: If your truck is equipped with a spoiler style tailgate piece, you will need to replace it with a standard smooth style tailgate piece like the photo to the left.

RE: Step 2 on the Quick Start Guide

Measurement for the rear mounting bracket is 42 1/8" from the back side of the bulkhead to the front edge of the bracket.



RE: Step 3 on the Quick Start Guide

Mount the front edge of the front mounting bracket flush to the front edge of the bulkhead.

The fit of the cover to the truck bed is determined by the front mounting brackets. This measurement is a good starting point. Unfortunately not all truck beds are assembled 100% square, so some adjustments may be necessary after the cover is set on the truck.

