



MODEL SPECIFIC GUIDE

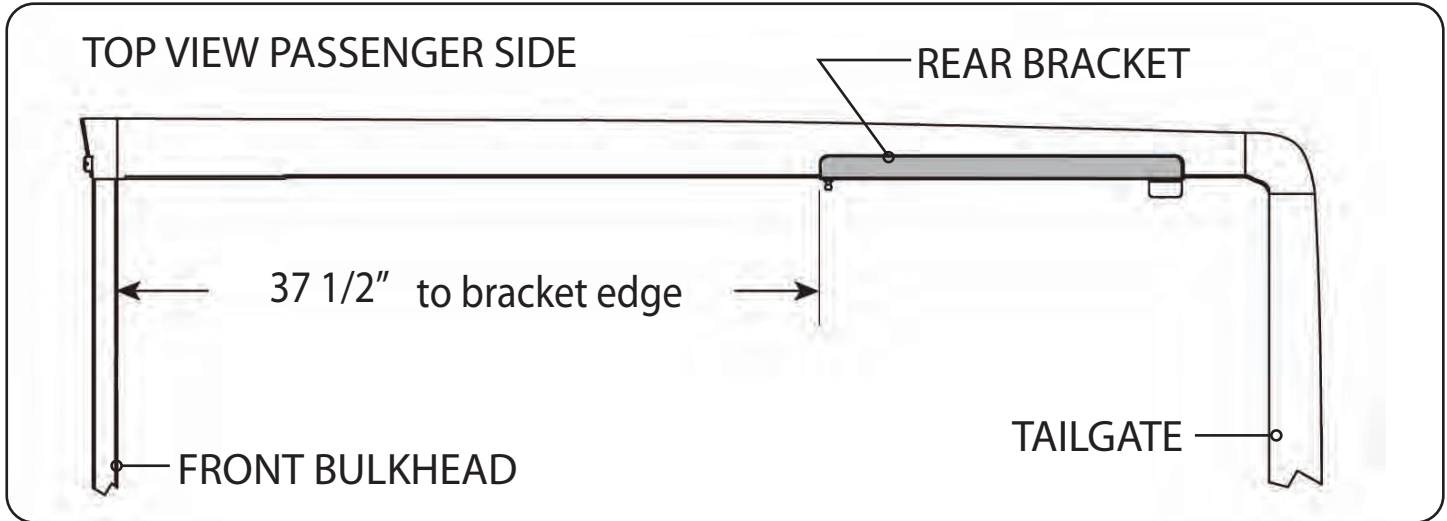
D-Ring Hinge Version

Model 2030 Ford F-150 Super Crew
5.5' Short Bed 2000-2004 (will not fit 2004 newer body style)



RE: Step 2 on the Quick Start Guide

Measurement for the rear mounting bracket is 37 1/2" from the back side of the bulkhead to the front edge of the bracket.



RE: Step 3 on the Quick Start Guide

Measurement for the front mounting bracket is 1/8" gap overhang from the front edge of the bracket to the front edge of the bulkhead.

The fit of the cover to the truck bed is determined by the front mounting brackets. This measurement is a good starting point. Unfortunately not all truck beds are assembled 100% square, so some adjustments may be necessary after the cover is set on the truck.

