



MODEL SPECIFIC GUIDE

D-Ring Hinge Version

**Model 2060 Ford F-150 Flareside
6.5' Short Bed 1997-2004**



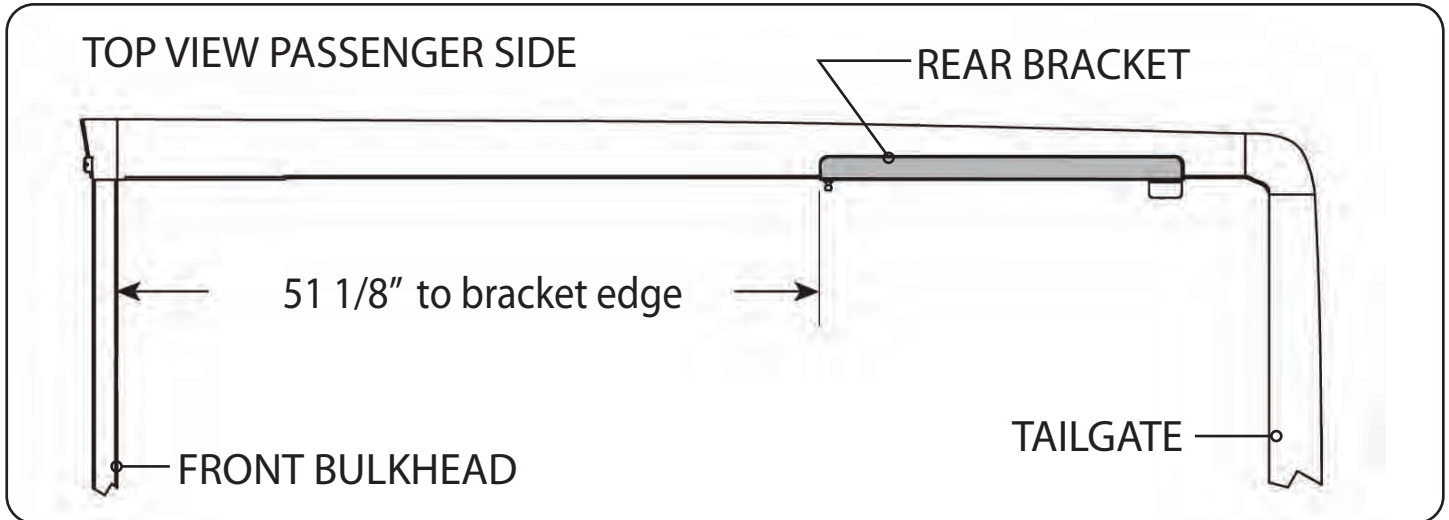


MODEL SPECIFIC GUIDE D-Ring Hinge Version

Model 2060 Ford F-150 Flareside 6.5' Short Bed 1997-2003

RE: Step 2 on the Quick Start Guide

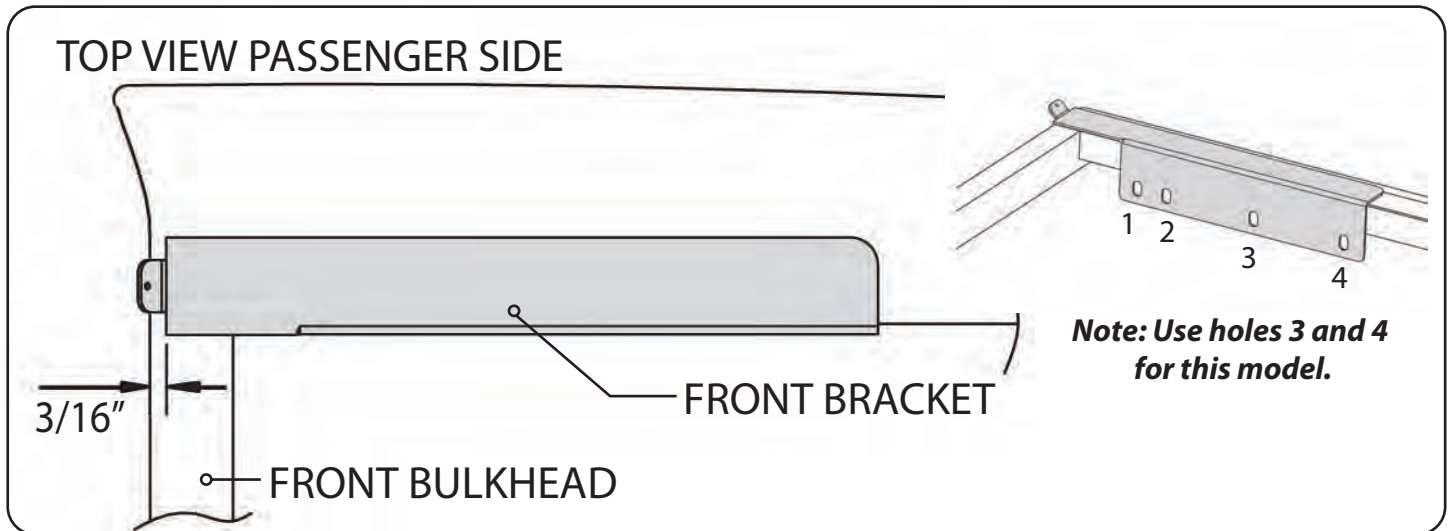
Measurement for the rear mounting bracket is 51 1/8" from the back side of the bulkhead to the front edge of the bracket.



RE: Step 3 on the Quick Start Guide

Measurement for the front mounting bracket is 3/16" from the front edge of the bracket to the front edge of the bulkhead.

The fit of the cover to the truck bed is determined by the front mounting brackets. This measurement is a good starting point. Unfortunately not all truck beds are assembled 100% square, so some adjustments may be necessary after the cover is set on the truck.



UnderCover, Inc.
P.O. Box 620
Rogersville, MO 65742
(417) 753-8000
(866) 900-8800

www.undercoverinfo.com
sales@undercoverinfo.com

© 2010 UnderCover, Inc.
All rights reserved.