



MODEL SPECIFIC GUIDE

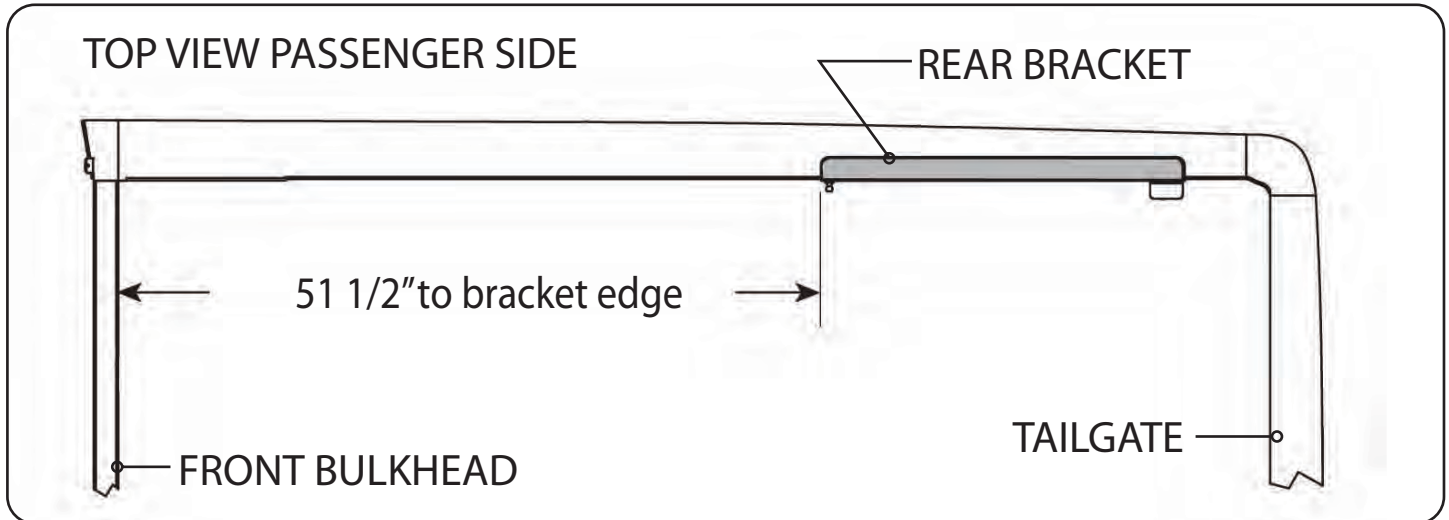
D-Ring Hinge Version

**Model 2070 Ford F-150 Std/Ext Cab
6.5' Short Bed 2004-2008**



RE: Step 2 on the Quick Start Guide

Measurement for the rear mounting bracket is 51 1/2" from the back side of the bulkhead to the front edge of the bracket.



RE: Step 3 on the Quick Start Guide

Measurement for the front mounting bracket is 1/16" gap overhang from the front edge of the bracket to the front edge of the bulkhead.

The fit of the cover to the truck bed is determined by the front mounting brackets. This measurement is a good starting point. Unfortunately not all truck beds are assembled 100% square, so some adjustments may be necessary after the cover is set on the truck.

