



MODEL SPECIFIC GUIDE

D-Ring Hinge Version

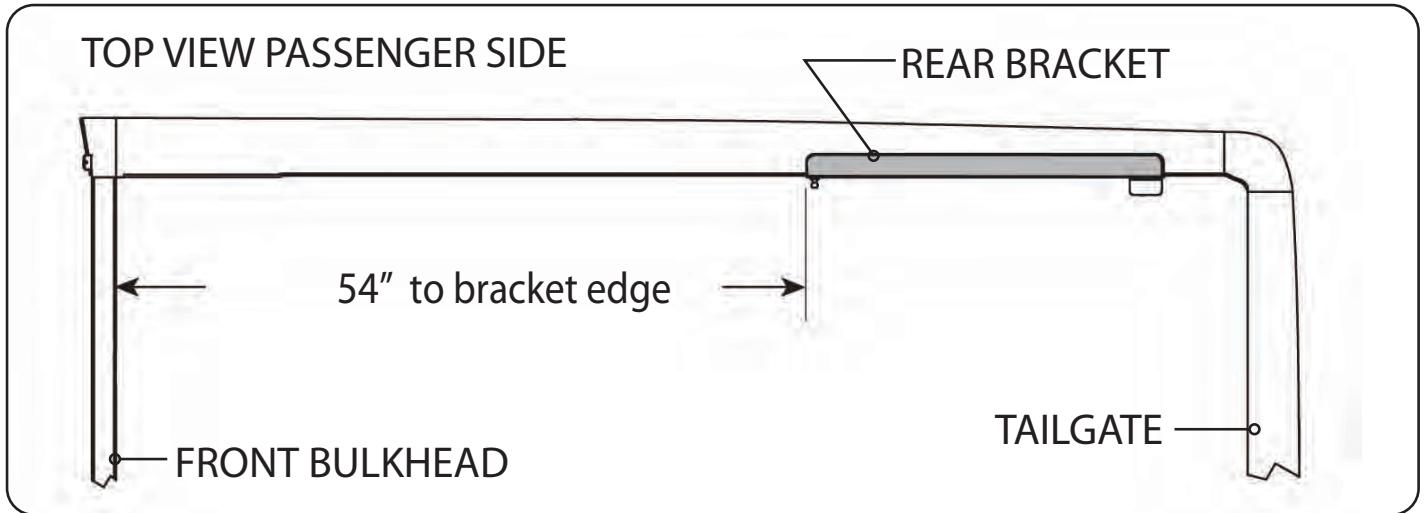
**Model 2090 Ford F-150 Std/Ext Cab Flareside
6.5' Short Bed 2004-2008**



MODEL SPECIFIC GUIDE D-Ring Hinge Version Model 2090 Ford F-150 Flareside 6.5' Short Bed 2004-2008

RE: Step 2 on the Quick Start Guide

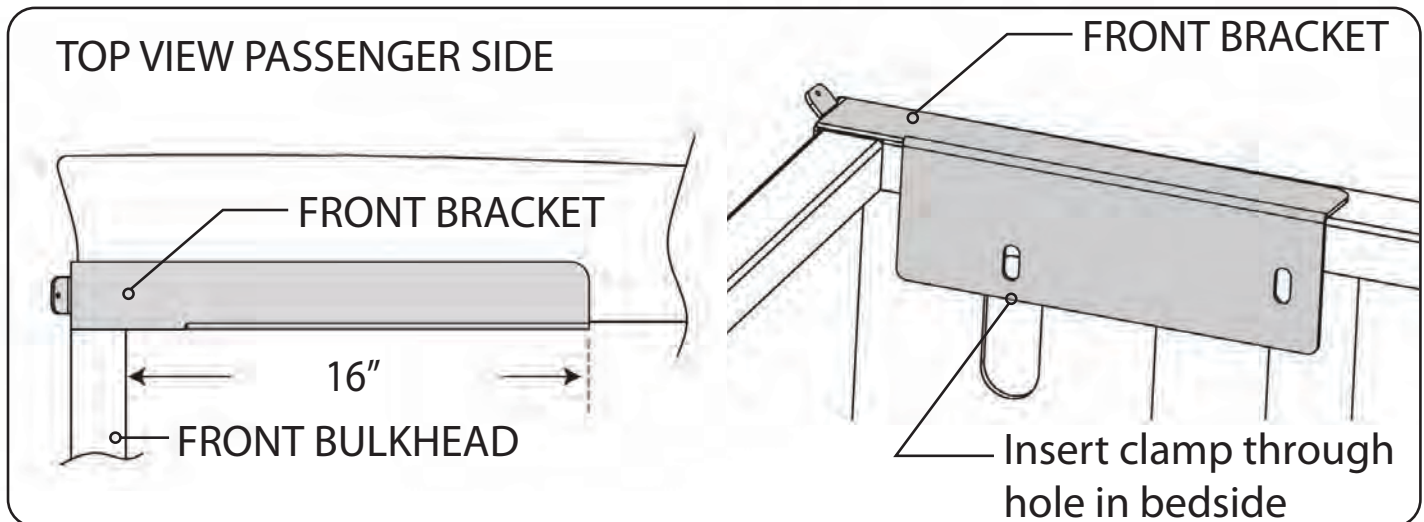
Measurement for the rear mounting bracket is 54" from the back side of the bulkhead to the front edge of the bracket.



RE: Step 3 on the Quick Start Guide

Measurement for the front mounting bracket is 16" from the back edge of the bracket to the back edge of the bulkhead. Mount the front clamp through the hole in the bed side, be careful not to drop the clamp.

The fit of the cover to the truck bed is determined by the front mounting brackets. This measurement is a good starting point. Unfortunately not all truck beds are assembled 100% square, so some adjustments may be necessary after the cover is set on the truck.



UnderCover, Inc.
P.O. Box 620
Rogersville, MO 65742
(417) 753-8000
(866) 900-8800

www.undercoverinfo.com
sales@undercoverinfo.com