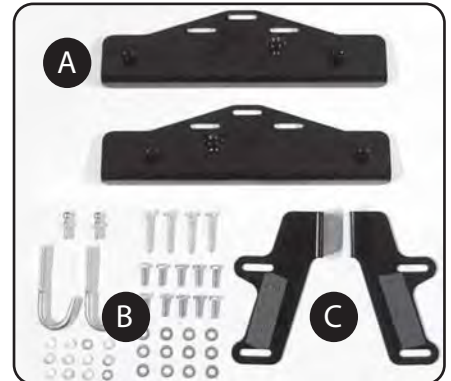




# MODEL SPECIFIC GUIDE

## Hidden Hinge Version

### Model 2110 Ford Explorer Sport Trac 2007-Current



#### Sport Trac Bracket Kit

- A:** Front Mounting Brackets
- B:** Ball Studs, Wall mount hardware, Mounting hardware
- C:** Rear Mounting Brackets

**NOTE: INSTALL REQUIRES 10mm SOCKET, T-30 TORX BIT, NEEDLE-NOSE PLIERS AND 1/2" SOCKET**

#### RE: Step 2 on the Quick Start Guide

Remove the plastic plugs in the holes near the tailgate. Install the rear bracket with the bolts provided. Notice the mounting holes in the bracket are slotted, this is to allow for adjustment of the lock once the cover is mounted.



**Warning! Be sure not to overtighten the mounting bolts. Doing so could shear off the bolt heads, creating a difficult procedure to remove the remaining thread.**

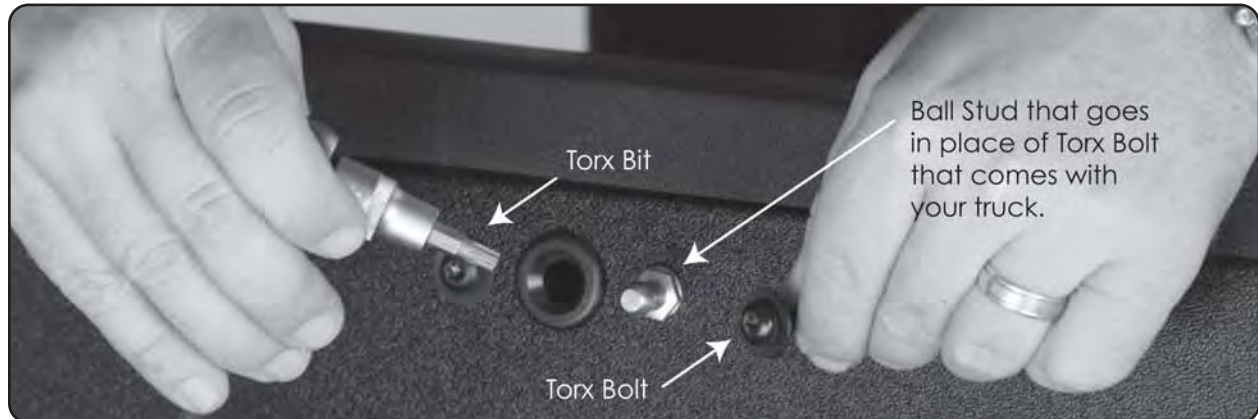
Form # AS2110II  
Created March 2012

For Warranty Issues, Contact UnderCover Directly  
(866) 900-8800 [www.undercoverinfo.com](http://www.undercoverinfo.com)

## MODEL SPECIFIC GUIDE Hidden Hinge Version Model 2110 Ford Explorer Sport Trac 2007-Current

### Continued - RE: Step 2 on the Quick Start Guide

In the center of the bed there are two torx bolts, remove the one closer to the tailgate of the truck. Hand thread the ball stud included with the hardware and then tighten with a 1/2" wrench or socket.

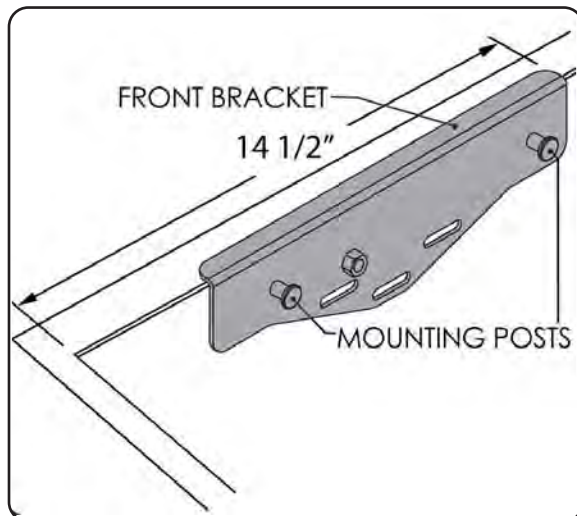


**Warning! Be sure not to overtighten the ball stud. Doing so could shear off the head, creating a difficult procedure to remove the remaining thread.**

### RE: Step 3 on the Quick Start Guide

Remove the plastic plugs at the front of the bed, exposing all three holes and position the front brackets in place. Position the bracket 14 1/2" back from the bulkhead, refer to diagram below.

The fit of the cover to the truck bed is determined by the front mounting brackets. This measurement is a good starting point. Unfortunately not all truck beds are assembled 100% square, so some adjustments may be necessary after the cover is set on the truck.



**Warning! Be sure not to overtighten the mounting bolts. Doing so could shear off the bolt heads, creating a difficult procedure to remove the remaining thread.**

UnderCover, Inc.  
P.O. Box 620  
Rogersville, MO 65742  
(417) 753-8000  
(866) 900-8800

www.undercoverinfo.com  
sales@undercoverinfo.com