



# MODEL SPECIFIC GUIDE

## Hidden Hinge Version

**Model 2140 Ford F150 Ext/Crew Cab  
5.5' Short Bed 2009-Current**



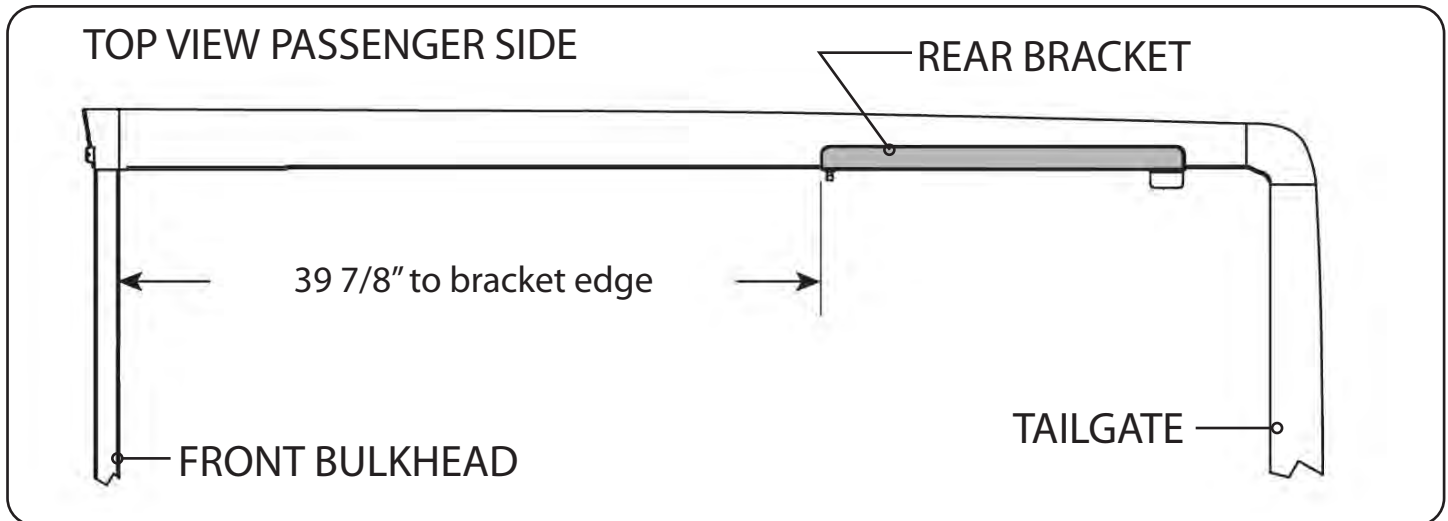
Note: This Cover will work with or without a tailgate step.



## MODEL SPECIFIC GUIDE Hidden Hinge Version Model 2140 Ford F-150 5.5' Short Bed 2009-Current

### RE: Step 2 on the Quick Start Guide

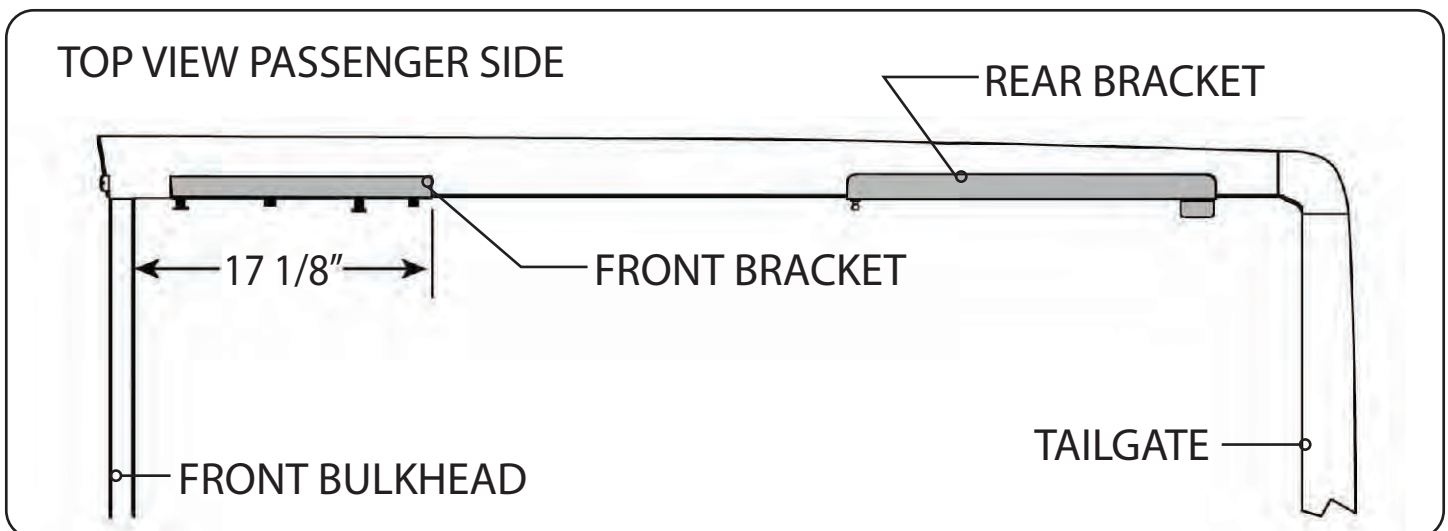
Measurement for the rear mounting bracket is  $39\frac{7}{8}$ " from the back side of the bulkhead to the front edge of the bracket.



### RE: Step 3 on the Quick Start Guide

Measurement for the front mounting bracket is  $17\frac{1}{8}$ " from the back side of the bulkhead to the end of the bracket.

The fit of the cover to the truck bed is determined by the front mounting brackets. This measurement is a good starting point. Unfortunately not all truck beds are assembled 100% square, so some adjustments may be necessary after the cover is set on the truck.



UnderCover, Inc.  
P.O. Box 620  
Rogersville, MO 65742  
(417) 753-8000  
(866) 900-8800

[www.undercoverinfo.com](http://www.undercoverinfo.com)  
[sales@undercoverinfo.com](mailto:sales@undercoverinfo.com)

© 2010 UnderCover, Inc.  
All rights reserved.