



MODEL SPECIFIC GUIDE

Hidden Hinge Version

**Model 3026 Dodge Ram 1500-2500 Std/Quad/Mega Cab
6.5' Short Bed 2002-2008 & 2009 Ram 2500**



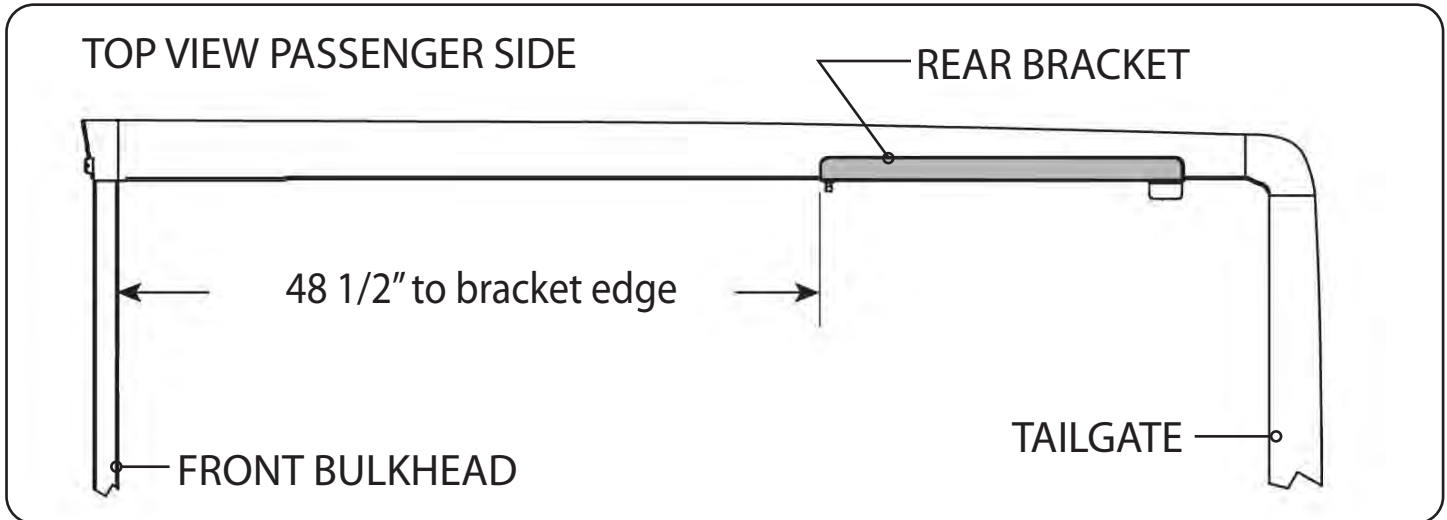
Note: If your truck is equipped with a spoiler style tailgate piece, you will need to replace it with a standard smooth style tailgate piece like the photo to the left.



MODEL SPECIFIC GUIDE Hidden Hinge Version Model 3026 Dodge Ram 1500-2500 6.5' Short Bed 2002-2008

RE: Step 2 on the Quick Start Guide

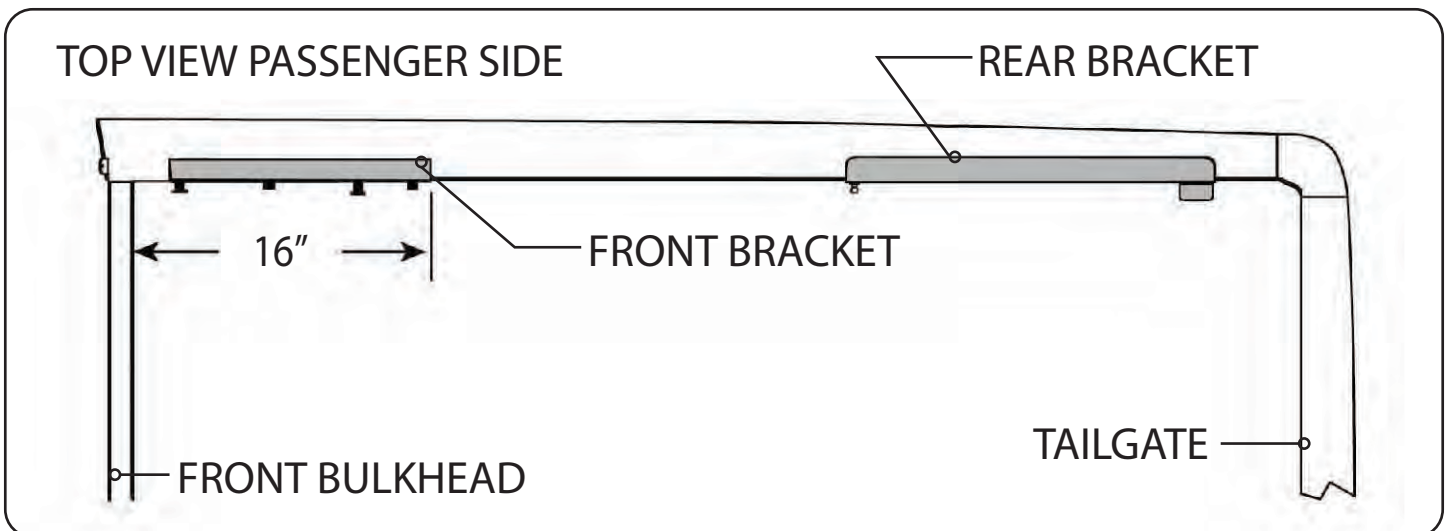
Measurement for the rear mounting bracket is 48 1/2" from the back side of the bulkhead to the front edge of the bracket.



RE: Step 3 on the Quick Start Guide

Measurement for the front mounting bracket is 16" from the back side of the bulkhead to the end of the bracket.

The fit of the cover to the truck bed is determined by the front mounting brackets. This measurement is a good starting point. Unfortunately not all truck beds are assembled 100% square, so some adjustments may be necessary after the cover is set on the truck.



UnderCover, Inc.
P.O. Box 620
Rogersville, MO 65742
(417) 753-8000
(866) 900-8800

www.undercoverinfo.com
sales@undercoverinfo.com

© 2010 UnderCover, Inc.
All rights reserved.