



THE NEXT GENERATION OF FOLDING TONNEAU COVERS.

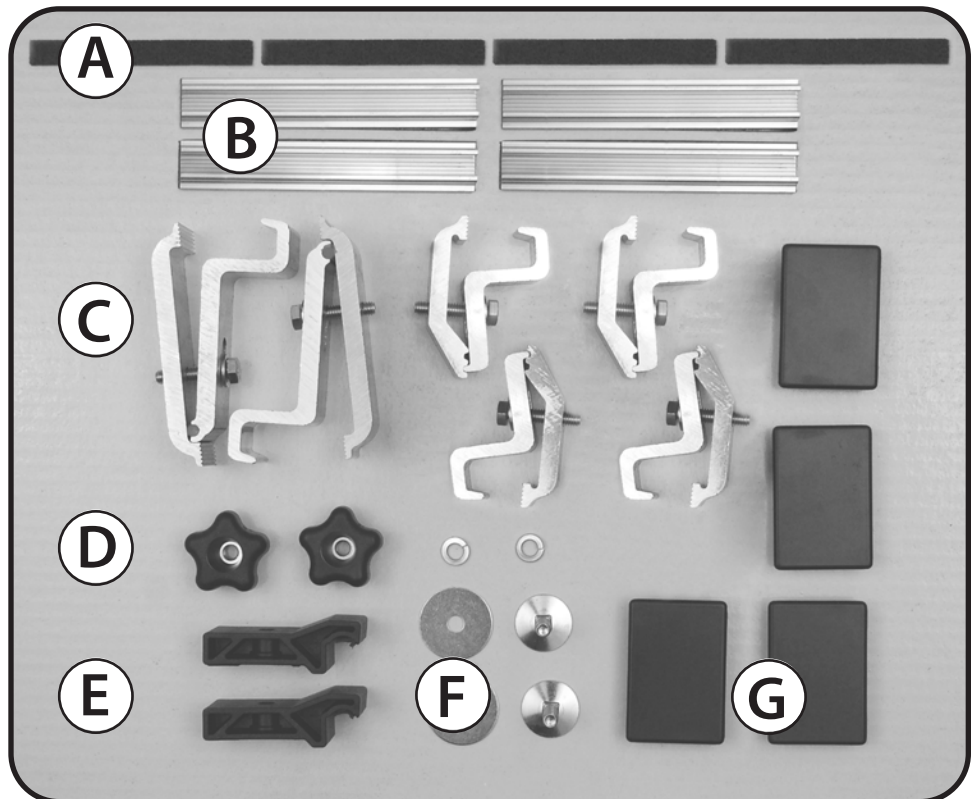
Model Specific Install Guide

GM Applications

Chevy Silverado / GMC Sierra 2007-2013
Without Cargo Management System - Without factory bed caps
5.7' Bed - FX11005
6.5' Bed - FX11008

1 Hardware Kit Check List

- A. Rubber Filler Strip(4)
- B. Clamp Force Spreader(4)
- C. Clamp Kit(6)
- D. Star Knobs(2)
- E. Front Retainer Clamp(2)
- F. Front Mounting Bolts (2) Lock Washer (2), Flat Washer (2)
- G. Stake Pocket Covers(4)



KIT - W



Form # FL71-W
Modified July 2013

For Warranty Issues, Contact UnderCover Directly
(866) 900 8800 www.flex-cover.com

2 Attach Side Mounting Rails

Attach both left and right side rails to the truck bed. The end of the mounting rail with the drain tube fitting will go towards the cab of the truck. Stick each one of the rubber filler strips to the bed rail, adjacent to the front and middle clamps, prior to installing the mounting rail.

Position the top edge of the mounting rail flush to 1/8" above the top edge of your truck bed rail, Figure 2 & 4. Starting with a smaller center clamp, slide the clamp force spreader onto the clamp, Figure 1, install to the rail, but do not tighten completely. Install the other smaller clamp at the front, with a force spreader, near the bulkhead. Install the larger clamp at the rear by placing the back portion of the clamp into the stake pocket, Figure 3. Tighten the clamps using a 1/2" wrench or socket, Photo A.

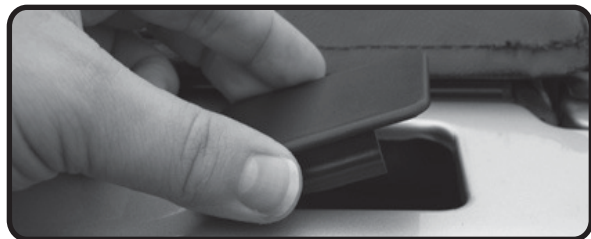
Note: If you discover your truck will not allow you to position a clamp adjacent to the spacer, simply slide the spacer forward or back as needed.



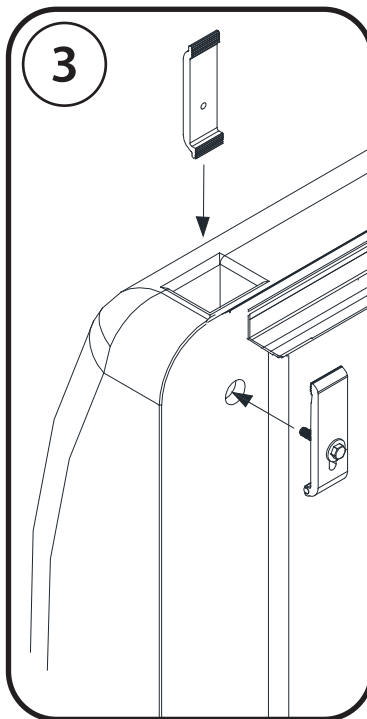
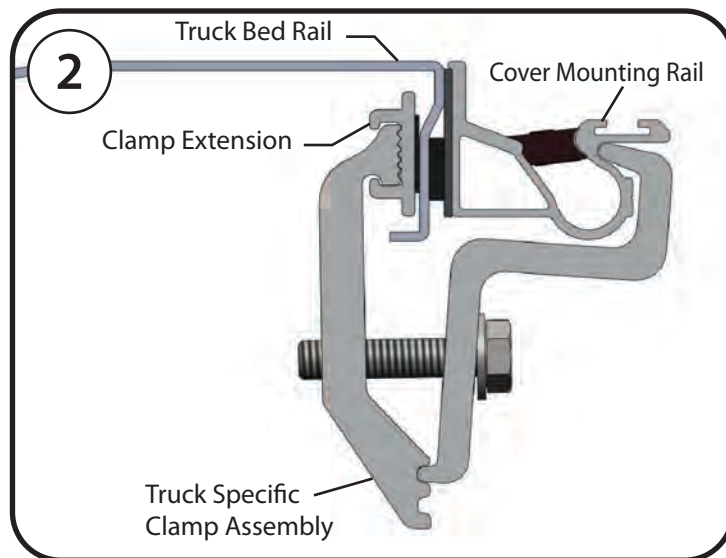
Warning! Do not overtighten the clamp assembly. A torque wrench is not necessary. If preferred, torque is apx 120 inch lbs.



Warning! Clamps must be checked periodically for tightness. Failure to do so could result in damage to you or your property.



After the install is complete, snap the stake pocket covers into the stake pocket holes.



UnderCover, Inc.
 P.O. Box 620
 Rogersville, MO 65742
 (417) 753-8000
 (866) 900-8800

www.undercoverinfo.com
sales@undercoverinfo.com