



INSTALLATION INSTRUCTIONS

WARN LIGHT BAR

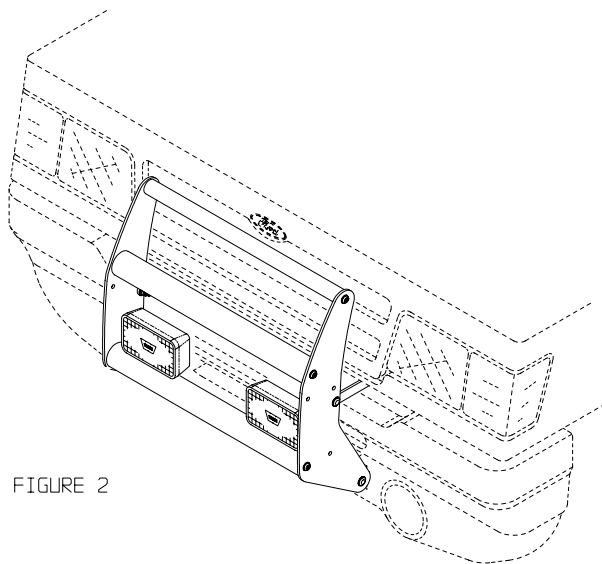
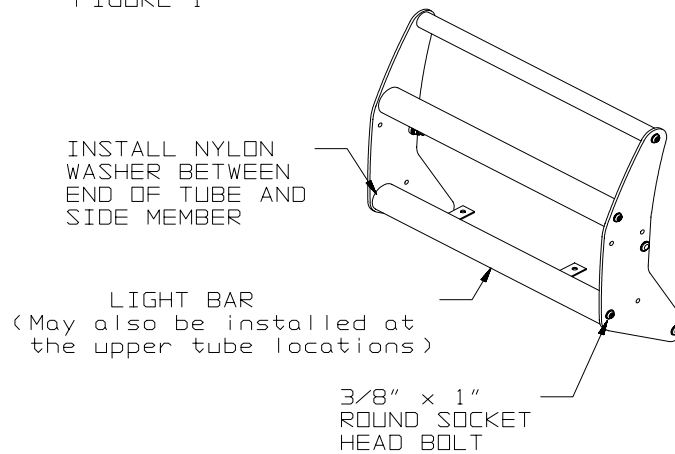
Part No. 29169 and 29395 (black)

Part No. 29170 and 29396 (chrome)

for use with Trans4mer Mounting Systems

1. Before installing the light bar, be sure that any existing tubes and winch carrier brackets are loosened so that the light bar with washers can be easily inserted between the side members of the Trans4mer.
2. A suggested location is shown in **Figure 1** and **Figure 2**, but the light bar can be installed in any of the other hole positions also. Be sure that your lights will have clearance around their back sides and allow for a range of adjustment.

FIGURE 1



3. After all parts are properly positioned, tighten all the fasteners securely.